

1 2 3 4 5 6

A

B

C

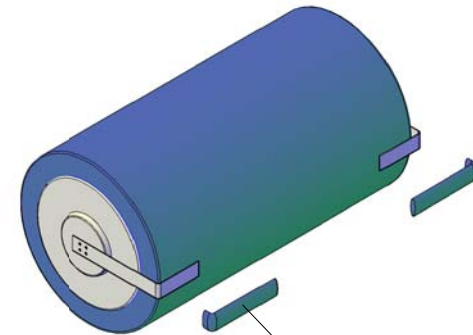
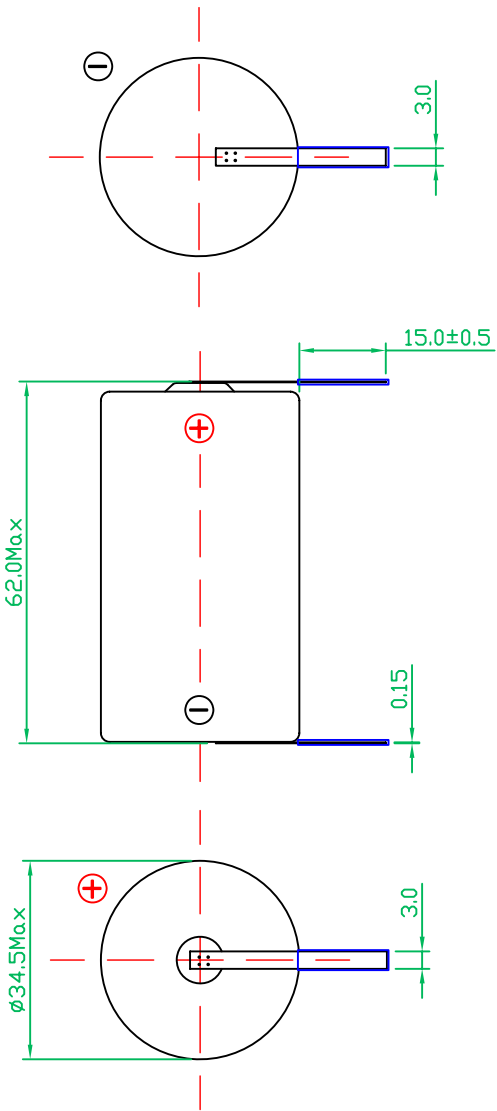
D

A

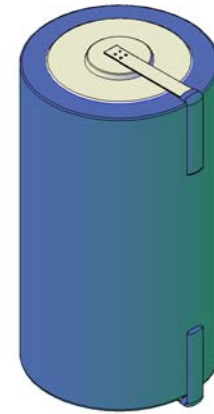
B

C

D



Insulation tube
(绝缘套管)



Remark(备注):

1. Cell(电芯): 3.6V 14000mAh.EEMB PVC,with date code(包EEMB PVC, 表面喷码)
2. Cathode/Anode tab: Stainless steel plated with nickel
正/负极焊片材质:不锈钢镀镍
3. RoHS Compliant
严格按照ROHS要求生产

		Drawn:	Moyongdi	Revise No.:	E4-2009
		Checked 1:	Jane	Projection:	
		Checked 2:	Jenny	Page:	1/1
Title	ER34615M-FT	Approved:		Scale:	2 : 1
File NO.	A00093	Draw Date:	2010/01/16	Unit:	mm

1 2 3 4 5 6