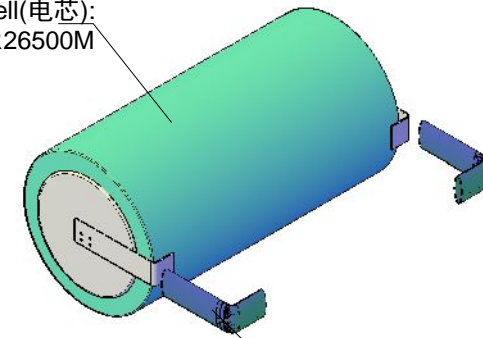
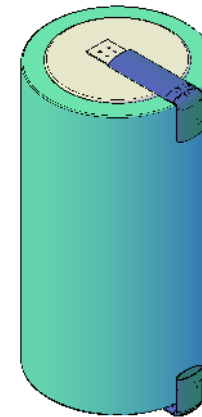


Cell(电芯):
ER26500M



Insulation tube
(绝缘套管)



Remark(备注):

1. Cell(电芯): 3.6V 6500mAh.EEMB PVC,with date code(包EEMB PVC '表面喷码)
2. Cathode/Anode tab:Pure nickel tab
正/负极焊片材质:纯镍带
3. RoHS Compliant
严格按照ROHS要求生产

		Drawn:	YanF	Revise No.:	E4-2009
		Checked 1:	Linda	Projection:	
		Checked 2:		Page:	1/1
Title	ER26500M-FT	Approved:		Scale:	2 : 1
File NO.	A16073	Draw Date:	2018/08/23	Unit:	mm