

1

2

3

4

5

6

A

B

C

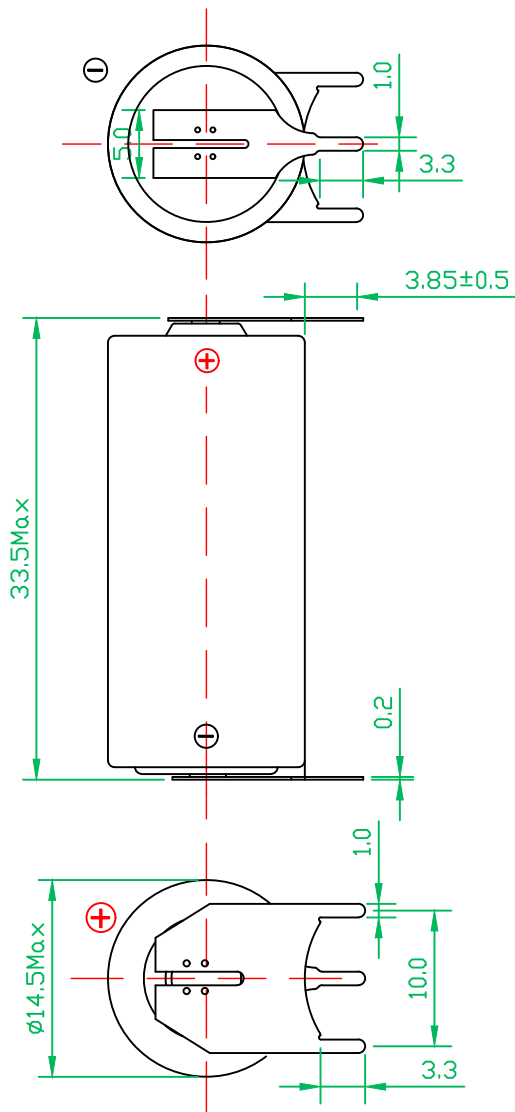
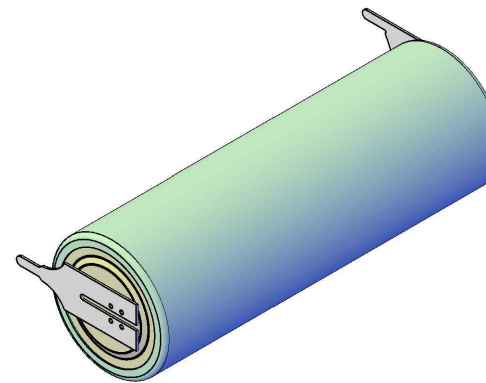
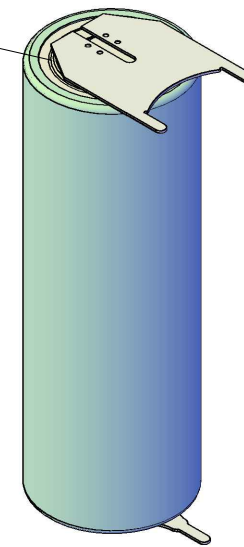
D

A

B

C

D

T Top
(T头)

Remark(备注):

1. Cell(电芯): 3.6V 1650mAh.EEMB PVC,with date code(包EEMB PVC, 表面喷码)
2. Cathode/Anode tab: Stainless steel plated with nickel
正/负极焊片材质: 不锈钢镀镍
3. RoHS Compliant
严格按照ROHS要求生产

		Drawn:	YanF	Revise No.:	E4-2009	
		Group:	Group1	Projection:		
Title		ER14335-VBR	Approved1:	Page:	1/1	
File NO.		A20901	Approved2:	Scale:	1.8 : 1	
			Draw Date:	2020/11/11	Unit:	mm

1

2

3

4

5

6