

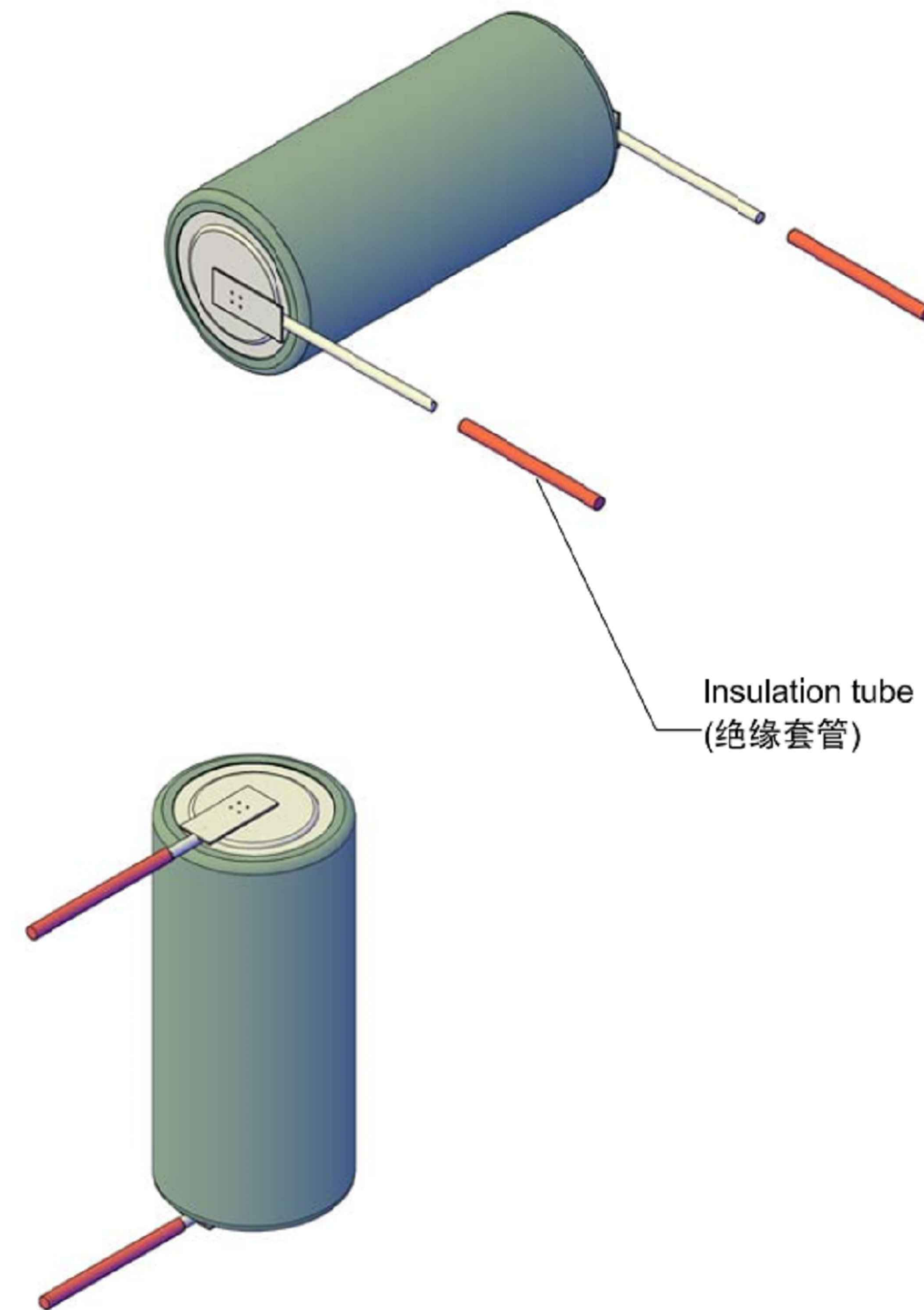
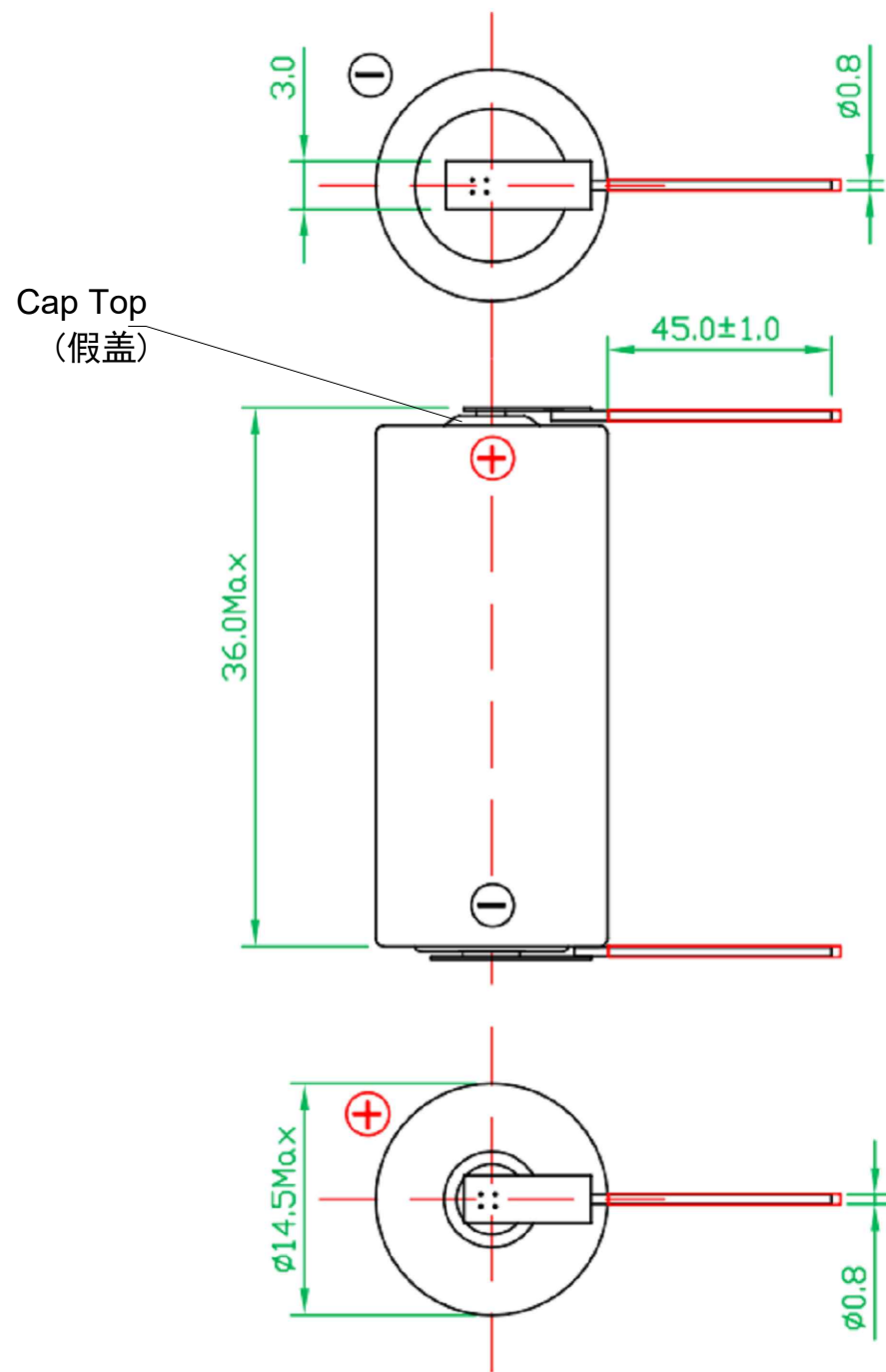
1 2 3 4 5 6

A

B

C

D



Remark(备注):

1. Cell(电芯): 3.6V 1650mAh.EEMB PVC,with date code(包EEMB品牌PVC, 表面喷码)
2. +/- Axial pin: Nickel weld first and then axialpin.
正/负极轴向引线材质: 铜镀锡(先点镍带再焊引线)
3. RoHS Compliant
严格按照ROHS要求生产

 EEMB BATTERY		Drawn:	YanF	Revise No.:	E4-2009
		Group:	Group1	Projection:	
Title	ER14335-AV	Approved 1:		Page:	1/1
File NO.	A20931	Approved 2:		Scale:	1.5 : 1
		Draw Date:	2020/11/27	Unit:	mm

1 2 3 4 5 6