



# TOYO LED ELECTRONICS LIMITED

Room 1610, Hong Kong Plaza, 188 Connaught Road West, Hong Kong.

Tel : (852) 2540 7288  
http://www.toyo-led.com

Fax : (852) 2517 1797  
E-mail : sales@toyo-led.com



**P/N: E20362-G-UR3-8-W**

# SPECIFICATION FOR CUSTOMER APPROVAL

**P/N: E20362-G-UR3-8-W**

DATE : February 23, 2013

PREPARED BY : Luo Mengsi

CONFIRMED BY : Lam To

**PLEASE CONFIRM & SIGN BACK THIS SHEET TO US**

**CUSTOMER:**

\_\_\_\_\_

(COMPANY CHOP)

**APPROVAL BY:**

\_\_\_\_\_

(SIGNATURE)



# TOYO LED ELECTRONICS LIMITED

Room 1610, Hong Kong Plaza, 188 Connaught Road West, Hong Kong.

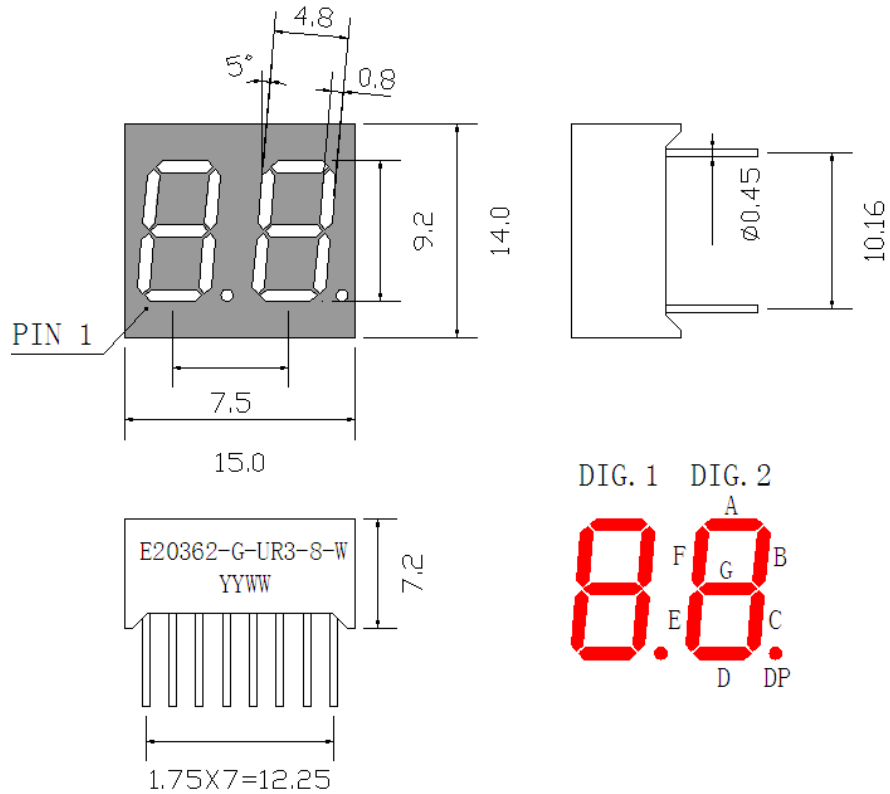
Tel : (852) 2540 7288  
 http://www.toyo-led.com

Fax : (852) 2517 1797  
 E-mail : sales@toyo-led.com

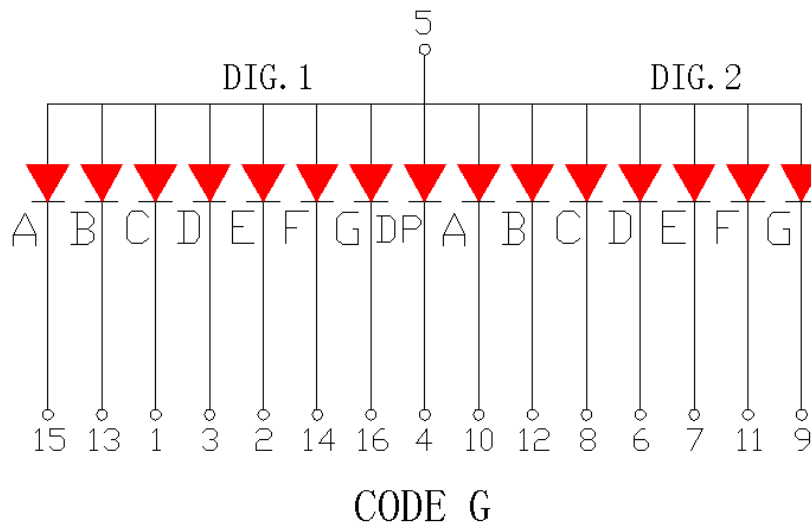


**P/N: E20362-G-UR3-8-W**

## PACKAGE DIMENSION



## INTERNAL CIRCUIT DIAGRAM



### NOTES:

1. All dimensions are in millimeter(inch);
2. Tolerance is  $\pm 0.25\text{mm}(0.01")$  especially other specified;
3. Pin length, housing color, marking no & circuit diagram can be customized;
4. Specifications are subject to change without notice.



# TOYO LED ELECTRONICS LIMITED

Room 1610, Hong Kong Plaza, 188 Connaught Road West, Hong Kong.

Tel : (852) 2540 7288  
http://www.toyo-led.com

Fax : (852) 2517 1797  
E-mail : sales@toyo-led.com



## P/N: E20362-G-UR3-8-W

### CHIP

Chip Material: AlGaInP / GaAs Ultra Bright Red LED Chip

#### ABSOLUTE MAXIMUM RATINGS (Ta = 25°C)

PARAMETER	SYMBOL	MAXIMUM RATING	UNIT
Power Dissipation	PD	72	mW
Peak Forward Current (1/10 Duty Cycle, 0.1 Ms Pulse Width)	IPEAK	90	mA
DC Forward Current	IF	30	mA
Reverse Voltage	VR	5	V
Operating Temperature Range	TA	-40 °C to +85 °C	
Storage Temperature Range	TSTG	-40 °C to +85 °C	

Solder temperature 1/16 inch below seating plane for 3 seconds at 260 °C

#### ELECTRICAL OPTICAL CHARACTER AND CURVES (Ta = 25°C)

PARAMETER	SYMBOL	MIN	TYP	MAX	UNIT	LOCATION	TEST CONDITION
Forward Voltage	VF	-	2.05	2.40	V	Per Chip	IF = 20mA
Luminous Intensity	Iv	34	38	56	mcd	Per Chip	IF = 20mA
Peak Emission Wavelength	λp	-	645	-	nm	Per Chip	IF = 20mA
Dominant Emission Wavelength	λd	630	635	638	nm	Per Chip	IF = 20mA
Spectral Line Half-Width	Δλ1/2	-	20	-	nm	Per Chip	IF = 20mA
Reverse Current	IR	-	-	10	uA	Per Chip	VR = 5V

#### Note:

- Luminous intensity tolerance is ±10%;
- Dominant Emission Wavelength tolerance is ±5%.



# TOYO LED ELECTRONICS LIMITED

Room 1610, Hong Kong Plaza, 188 Connaught Road West, Hong Kong.

Tel : (852) 2540 7288  
http://www.toyo-led.com

Fax : (852) 2517 1797  
E-mail : sales@toyo-led.com



## P/N: E20362-G-UR3-8-W

### ■ Typical Electro-Optical Characteristic Curve:

FIG. 1 Forward Current Vs. Forward Voltage

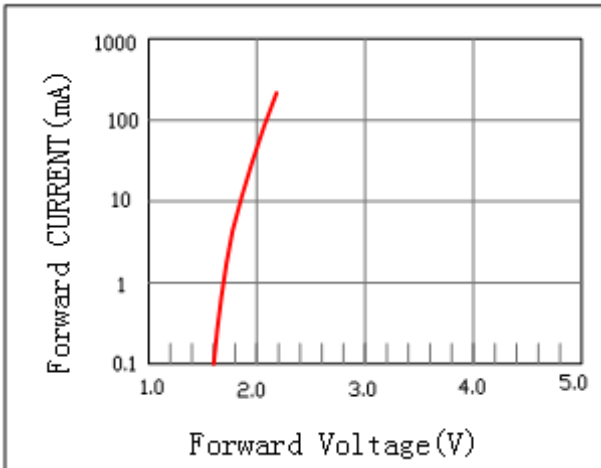


FIG. 2 Relative Intensity Vs. Forward Current

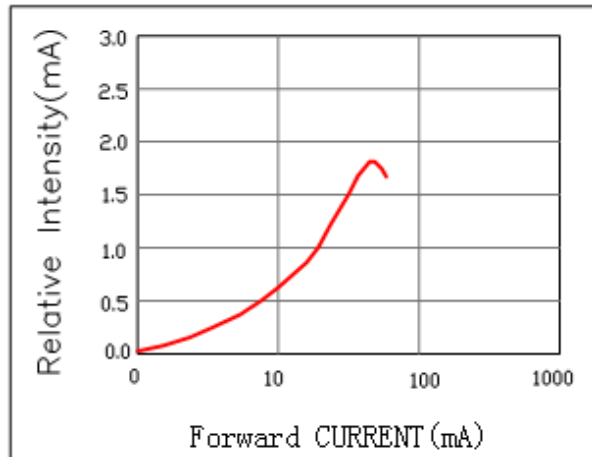


FIG. 3 Forward Voltage Vs. Temperature

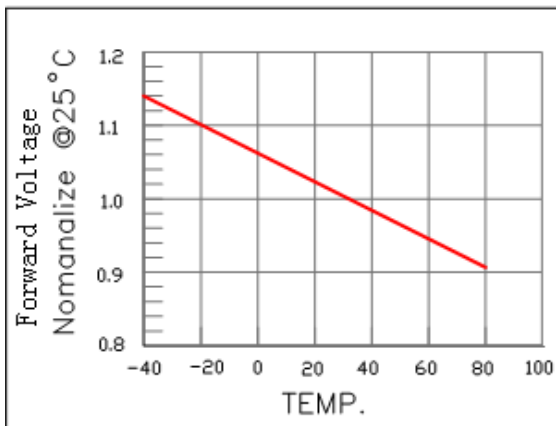


FIG. 4 Relative Intensity Vs. Temperature

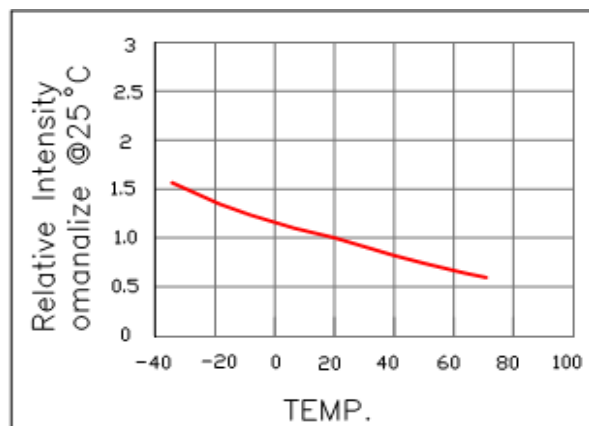


FIG. 5 Relative Intensity Vs. Wavelength

