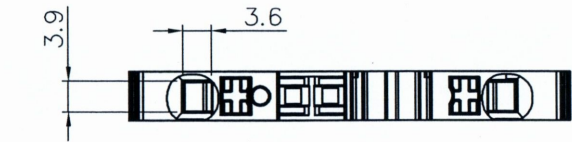
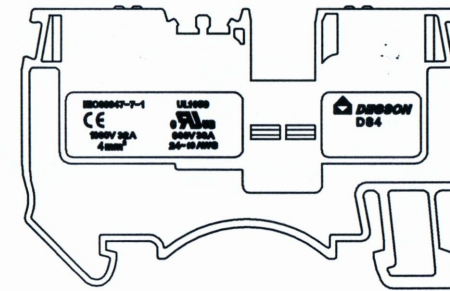
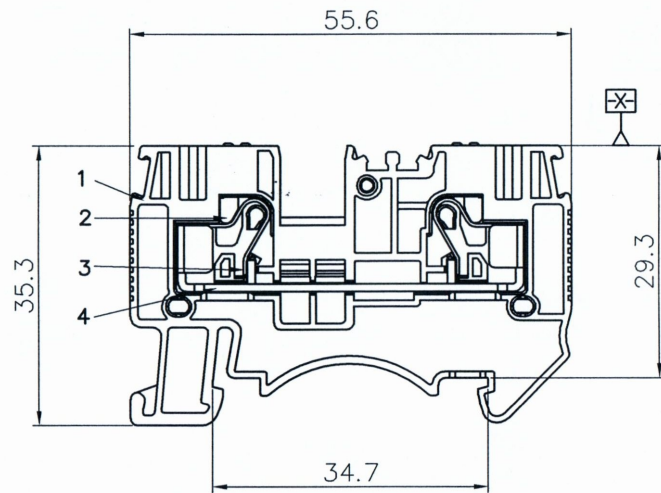


REVISION RECORD

| REV | ECN | DESCRIPTION | DRFT | DATE |
|-----|-----|-------------|------|------|
|-----|-----|-------------|------|------|



仅供参考图
 签字: *[Signature]*
 日期: 2016.08.22



NOTES1:

UL Standard

- Rated Voltage/Current : 600V / 30A
- Withstanding Voltage : AC2200V/1Min.
- Wire Range : 24~10AWG

IEC Standard

| | |
|--------------------------|-------|
| 1. Pollution Degree | 3 |
| Overvoltage Category | III |
| Rate Impulse Voltage(KV) | 8.0KV |
| Rate Voltage(V) | 1000V |
| Rate Current(A) | 32A |

2. Wire Range : 0.2~4mm²&6mm²(sol)

NOTES2:

- Dimension shall be interpreted per ASME Y14.5-2009
- Pitch : 6.2mm, Poles : N=01P
- Stripping length : 10-12mm
- Operating temperature: -40°C~+105°C
- Undimensioned Tolerances:

| Pitch Range In mm | | Nominal Dimension Range In mm | | | | | ∓ | ∕ | □ |
|-------------------|---------------|-------------------------------|---------------|-----------------|-----------------|--------|-------|-----|---|
| Over 6 TO 10 | Over 10 TO 24 | Over 30 TO 30 | Over 60 TO 60 | Over 100 TO 100 | Over 150 TO 150 | 0.1/10 | < | | |
| ±0.15 | ±0.20 | ±0.30 | ±0.30 | ±0.50 | ±0.70 | ±1.00 | ±1.30 | ±2' | |

6. RoHS Compliance

| ITEM | NAME OF PART | Q'TY | MATERIAL | NOTES |
|------|-------------------------|------|-----------------|-----------|
| 4 | DS4-00A CURRENT CARRIER | 1 | COPPER | Sn plated |
| 3 | DS4-00A SPRING | 2 | STAINLESS STEEL | |
| 2 | DS4-00A BUTTON | 2 | POM | UL94V-2 |
| 1 | DS4-00A HOUSING | 1 | PA66 | UL94V-0 |

| | | | | |
|------------------------|------------------------------|---|----------------------|-----------|
| DETACHED LISTS | PART NO.: / | 宁波高松电子有限公司 NINGBO DEGSON ELECTRICAL CO., LTD | | |
| | APPD: <i>Alan 08/16</i> | NAME: DS4-01P-1Y-00A(H) | | |
| | CHKD: <i>Baron 2016.8.22</i> | TITLE: CUSTOMER DRAWING | | |
| | DRFT: ding 04/14/16" | REV | D0-1 | |
| THIRD ANGLE PROJECTION | | DRAWING NO.: DS4-C01 | SHEET | 1/1 |
| | | MM (INCH) | DO NOT SCALE DRAWING | SCALE 1:1 |