

REV.	DESCRIPTION	DRAWN	CHECKED	APPROVED
A	NEW RELEASE	YCH 08/17/07'	~	LJC 08/17/07'
B	DRAWING UPDATE	JLZ 12/20/16'	~	

NOTES:

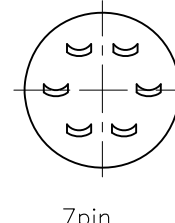
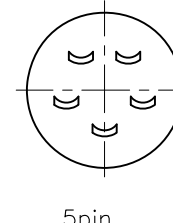
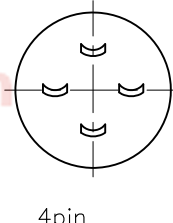
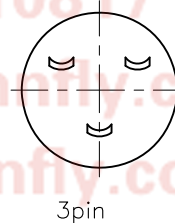
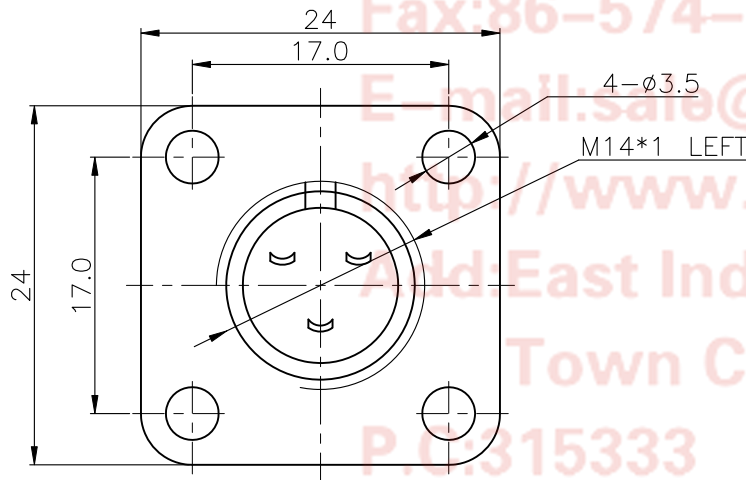
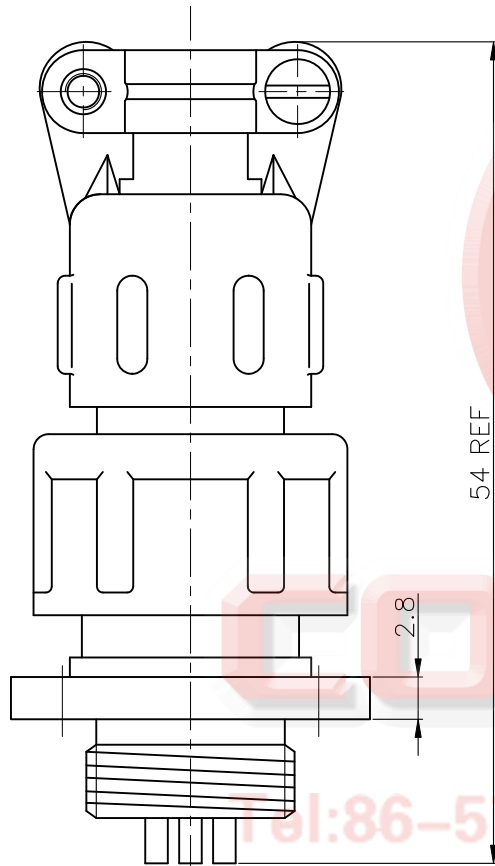
1.SPECIFICATION

- .CURRENT RATING: 5A Max.
- .DIELECTRIC WITH STANDING VOLTAGE: 500V(AC)
- .CONTACT RESISTANCE: 100mΩ Max.
- .INSULATION RESISTANCE: 1000MΩ(DC)Min.

2.PRODUCT NUMBER CODE:

DS1110-05 - X X X X

- SHELL SURFACE FINISHED
P:SPRAY THE PAINT (GRAY)
- CONTACT PLATING
Y: SILVER
- COLOR OF HOUSING:
L: BLUE
- No. OF CONTACTS
03: 3pin
04: 4pin
05: 5pin
07: 7pin



GENERAL TOLERANCE		ANGLE TOLERANCE		PROJECTION		TITLE	MICRO JACK CONNECTOR	
X.	±0.60	X.	±5°	UNITS	mm	SHEET	DS1110-05 SERIES	
.X	±0.38	.X	±3°	SHEET SIZE	A4	SERIES	DS1110-05 SERIES	
.XX	±0.25	.XX	±2°	晨翔电子有限公司 CONNFLY CONNFLY ELECTRONIC CO. LTD				
DRAWING TYPE		CUSTOMER						
SCALE		1:1 SHEET 1 OF 1						
DRAWING NO.		C-DS1110-05-XXX-B						

Tel:86-574-63508787
 Fax:86-574-63510817
 E-mail:sale@connfly.com
 http://www.connfly.com
 Add:East Industry Zone KuangYan
 Town Cixi Ningbo China
 P.O:315333