

REV.	DESCRIPTION	DRAWN	CHECKED	APPROVED
A	NEW RELEASE	LL 07/18/06'	~	LJC 07/18/06'
B	DRAWING UPDATE	JLZ 12/20/16'	~	

NOTES:

1.SPECIFICATION

- .CURRENT RATING: 5A Max.
- .DIELECTRIC WITH STANDING VOLTAGE: 500V(AC)
- .CONTACT RESISTANCE: 100mΩ Max.
- .INSULATION RESISTANCE: 1000MΩ(DC)Min.

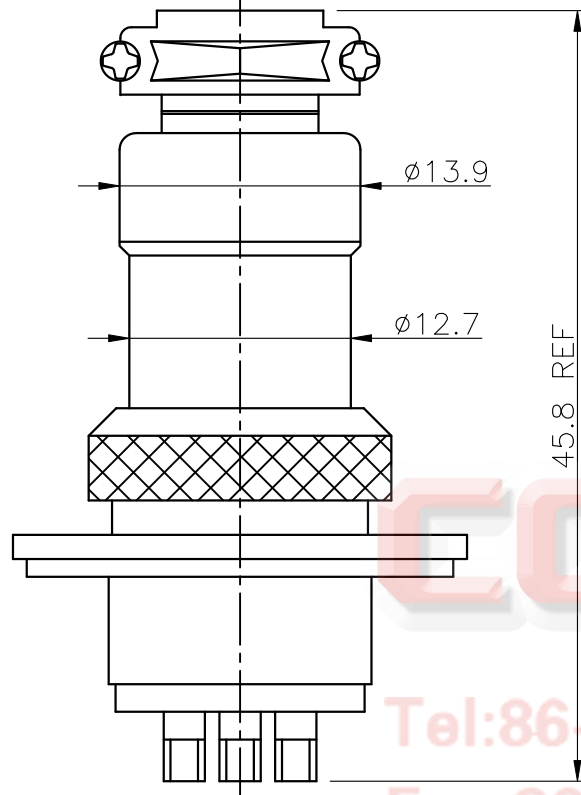
2.PRODUCT NUMBER CODE:

DS1110-02 - X X X

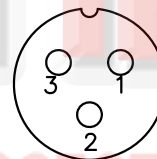
CONTACT PLATING
6: TIN

COLOR OF HOUSING:
W: WHITE
B: BLACK

No. OF CONTACTS
2: 2pin
10: 10pin



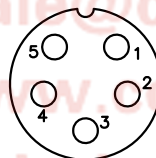
2 PIN



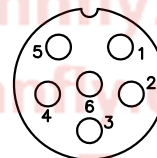
3 PIN



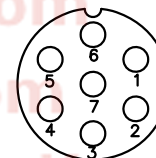
4 PIN



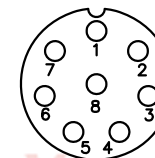
5 PIN



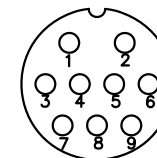
6 PIN



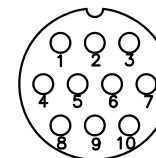
7 PIN



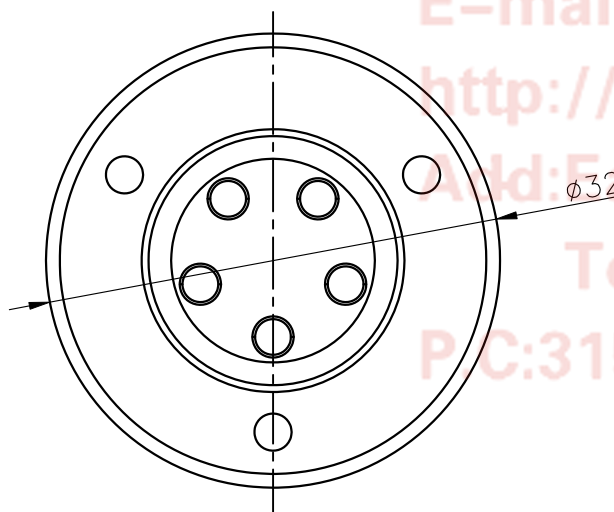
8 PIN



9 PIN



10 PIN



Tel:86-574-63508787
Fax:86-574-63510817

E-mail:sale@connfly.com

http://www.connfly.com

Address: East Industry Zone KuangYan

Town Cixi Ningbo China

PC:315333

GENERAL TOLERANCE		ANGLE TOLERANCE		PROJECTION		TITLE	MICRO JACK CONNECTOR
X.	±0.60	X.	±5°	UNITS	mm	SHEET	DS1110-02 SERIES
.X	±0.38	.X	±3°	SHEET SIZE	A4		
.XX	±0.25	.XX	±2°				
DRAWING TYPE		CUSTOMER		晨翔电子有限公司 CONNFLY CONNFLY ELECTRONIC CO. LTD			
SCALE	1:1	SHEET	1 OF 1				
DRAWING NO.	C-DS1110-02-XXX-B						