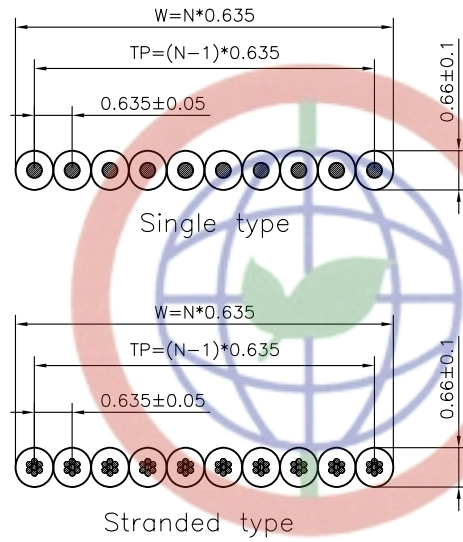


| REV. | DESCRIPTION | DRAWN | CHECKED | APPROVED |
|------|-------------|--------------|---------|----------|
| A | NEW RELEASE | LJC 01/16/09 | | |
| | | | | |
| | | | | |

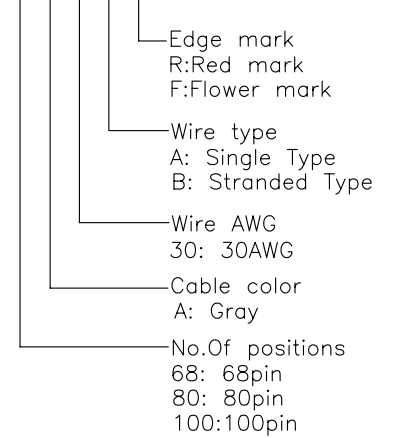


NOTES:

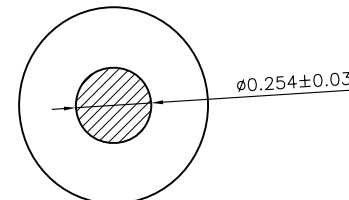
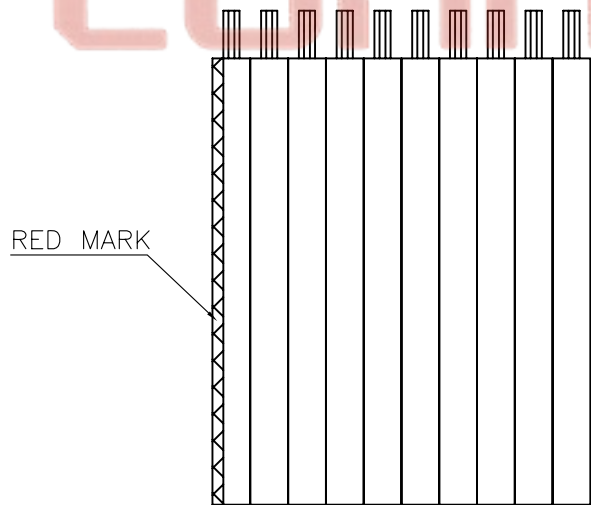
- Insulation material: PVC
Color: Gray
- SPECIFICATION
 - Rating: 150V
 - Conductor Size: 30AWG
 - Insulation resistance: 100MΩ/km min.
 - Contact resistance: 377Ω/km max.
 - Insulation thickness average: 7 mil.
 - Minimum insulation thickness : 6 mil.
- APPLICATION
 - Internal wiring of computers, electronic exchanges, measurement control devices, business machines, communication devices, and other electronic equipment.

4. Product Number Code

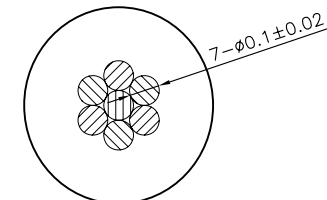
DS1057-02 - X X X X X



| No. of positions | Dimensions | | |
|------------------|------------|-------|-----------|
| | TP(mm) | W(mm) | Tolerance |
| 68 | 42.545 | 43.18 | ±0.25 |
| 80 | 50.165 | 50.80 | ±0.25 |
| 100 | 62.865 | 63.50 | ±0.25 |



Single type



Stranded type

Tel: 86-574-63508787
Fax: 86-574-63510817

| | | | | | |
|-------------------|-----------------|-------------------------------|----|------------|----------------------------------|
| GENERAL TOLERANCE | ANGLE TOLERANCE | PROJECTION | | TITLE | UL 2678 FLAT CABEL PITCH 0.635mm |
| X. ±0.60 | X. ±5° | UNITS | mm | SHEET SIZE | A4 |
| .X ±0.38 | .X ±3° | SERIES DS1057-02 | | | |
| .XX ±0.25 | .XX ±2° | DRAWING NO. C-DS1057-02-XXXXX | | | |
| DRAWING TYPE | CUSTOMER | | | | |
| SCALE | 1:1 | SHEET 1 OF 1 | | | |

晨翔电子有限公司
CONNFLY CONNFLY ELECTRONIC CO. LTD