

| REV. | DESCRIPTION | DRAWN         | CHECKED | APPROVED |
|------|-------------|---------------|---------|----------|
| A    | NEW RELEASE | LJH 02/21/08' | ~       |          |
|      |             |               |         |          |
|      |             |               |         |          |

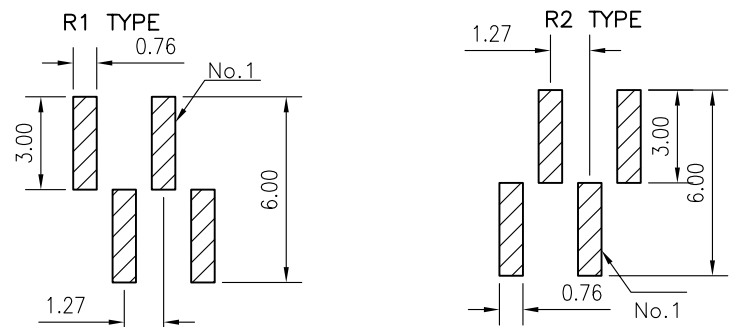
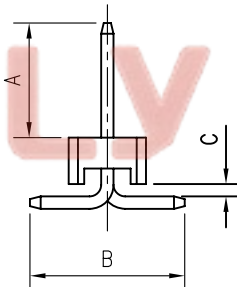
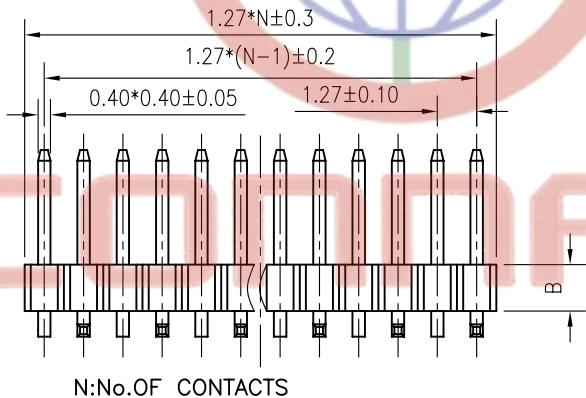
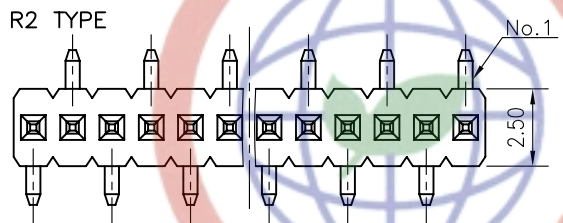
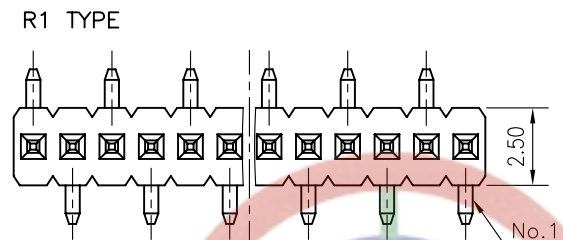
NOTES:

- MATERIAL
  - INSULATOR:THERMOPLASTIC(UL 94V-0).
  - CONTACT MATERIAL:COPPER ALLOY
- SPECIFICATION
  - CURRENT RATING:1.0 Amp.
  - INSULATION RESISTANCE:500MΩ Min.
  - DIELECTRIC WITHSTANDING:300VAC.
  - CONTACT RESISTANCE:50mΩ Max.
  - OPERATING TEMPERATURE:-40°C TO+105°C.
- PART NUMBER: DS1031-03
- PRODUCT NUMBER CODE:

DS1031-03 - X X X X X X X X

- CONTACT BEND TYPE
  - 1: R1 TYPE
  - 2: R2 TYPE
- DIM.A B C TYPE
  - 1: TYPE 1
- HOUSING HEIGHT(DIM. B)
  - 1: 1.00mm
  - 2: 1.50mm
  - 3: 2.00mm
- MOUNTING TYPE
  - S: SMT TYPE
- HOUSING COLOR
  - B:BLACK
- CONTACT PLATING
  - 8: FULL GOLD FLASH
- CONNECTOR TYPE
  - P:PLUG
- No.OF CONTACTS
  - 1\*1-1\*40
- SERIES No.
  - DS1031-03

| TYPE | DIM A | DIM B | DIM C |
|------|-------|-------|-------|
| 1    | 3.70  | 5.00  | 0.40  |
| 2    |       |       |       |
| 3    |       |       |       |
| 4    |       |       |       |
| 5    |       |       |       |
| 6    |       |       |       |
| 7    |       |       |       |



|                   |                     |            |  |            |  |
|-------------------|---------------------|------------|--|------------|--|
| GENERAL TOLERANCE | ANGLE TOLERANCE     | PROJECTION |  | TITLE      | 1.27mm PITCH PIN HEADER<br>SINGLE ROW S.M.T TYPE |
| X ±0.60           | X ±5'               | UNITS      | mm   | SHEET SIZE | A4   |
| .X ±0.38          | .X ±3'              |            |  | SERIES     | DS1031-03 SERIES                                 |
| .XX ±0.25         | .XX ±2'             |            |  |            |  |
| DRAWING TYPE      | CUSTOMER            |            |  |            |  |
| SCALE             | 1:1                 | SHEET      | 1 OF 1   |            |  |
| DRAWING NO.       | C-DS1031-03-XXXXXXX |            | 晨翔电子有限公司<br>CONNFLY CONNFLY ELECTRONIC CO. LTD |            |  |

Tel:86-574-63508787  
 Fax:86-574-63510817  
 E-mail:sale@zhenqin.com.cn  
 Http://www.connfly.com