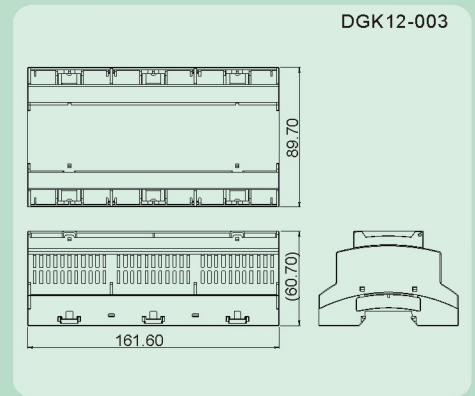
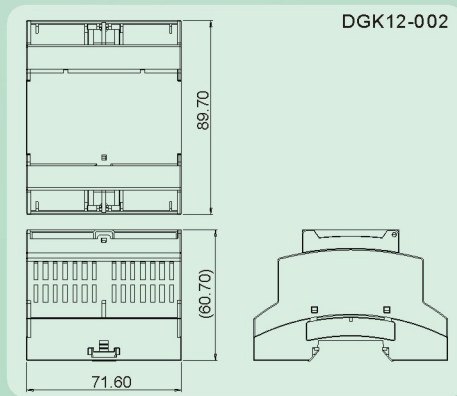
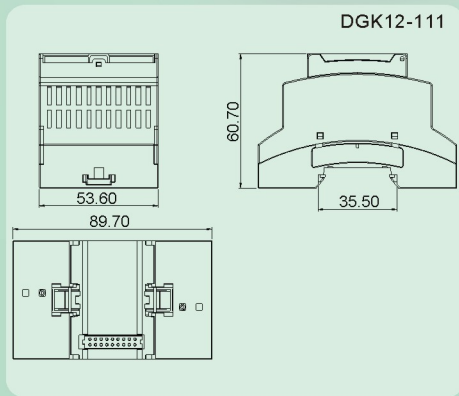


DGK12-002/003/111

- 模块化设计，提供53.6mm,71.6mm; 161.6mm三种尺寸可供选择。
- 安装于NS35轨道，固定方便。
- 灵活PCB固定方式，提供三个方向，11种PCB板解决方案。
- 旋转透明盖板，方便标示与维护。
- Modular design, available in 53.6mm; 71.6mm; 161.6mm three sizes.
- Mount on the rail of NS35, easy to fix.
- Diverse PCB mounting method, provide three directions, 11 kinds of PCB board solutions.
- Rotatable transparent cover for easy labeling and maintaining.



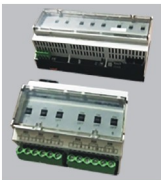
技术参数 Technical data

APPROVAL: CE

型号 Model	线径 Wire range (AWG/mm ²)	线数 Poles	IEC60947技术参数 (IEC60947 data sheet)		UL1059技术参数 (UL1059 data sheet)	
			电压(V) Rated voltage	电流(A) Rated current	电压(V) Rated voltage	电流(A) Rated current
DGK12-002/003/111	-	-	-	-	-	-

应用行业 Application

工业自动化、仪器仪表等行业。
Industrial automation, instrument.



产品包装方式 Packing

Product model	Pcs./Pkt.
DGK12-111	15

型号对照 Cross reference

DEGSON	同行1/Competitor1	同行2/Competitor2
DGK12-002	BC71.6 UT	-
DGK12-003	BC161.6 UT	-
DGK12-111	BC53.6 UT	-

产品订货 How to order

DGK12-111	-	0	1	P	-	X	X	-	0	0	A(H)
Series NO.		NO. of pole				通用色 General Color			Standard		
		1	2			3	Black		PANTONE	419C	
		Single pitch	Double pitch						DEGSON	03	