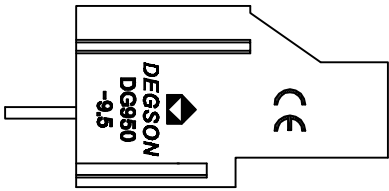
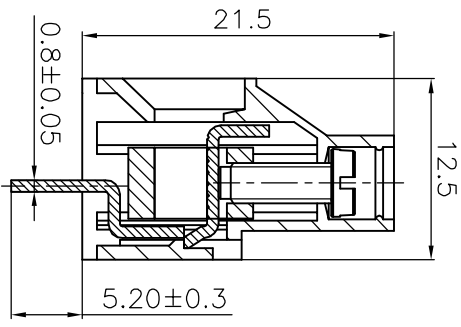
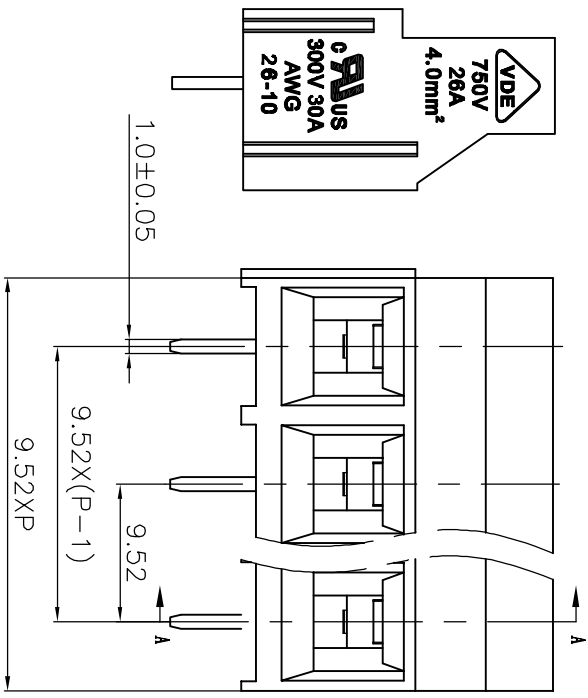
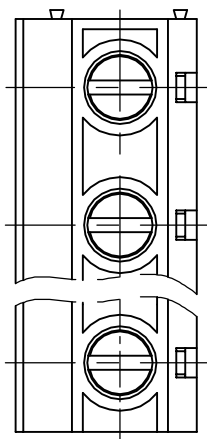


REVISION RECORD			
REV	ECO	DESCRIPTION	DATE
△		品名・料号追加標示・(H) *	12/10/07
		CSX	

- Notes:
1. Pitch: 9.52mm
  2. Rated voltage/current: UL 300V/30A  
VDE 750V/26A
  3. Insulation resistance: 5000MΩ/DC1000V
  4. With standing voltage: AC2000V/1Min
  5. Wire range: 22-10AWG 4mm<sup>2</sup>
  6. Temp. range: -40° C~+105° C
  7. Torque: 5.10kgf.cm
  8. Undimensioned Tolerances:

Pitch range in mm	Nominal dimension range			
	over	over	over	over
to 6	10	30	60	100
to 10	10	24	30	150
to 15	10,25	±0.2	±0.3	±0.5
to 20	±0.2	±0.5	±0.7	±1.0



4	DG950-Pin header	4031B00010 (H)	XX	Brass	SnCe
3	DG950 Screws	S0000001690 (H)	XX	Steel	Ct <sup>3+</sup> Zn
2	DG950-Contact	X000000310 (H)	XX	Brass	Ni plated

1	DG950-9.5-Housing	4031A0YXXA (H)	1	PA66	UL94V-0																																																		
ITEM	NAME OF PART	NO. OF PART	Q'TY	MATERIAL	NOTES																																																		
<table border="1"> <tr> <td>DETSCHED LIST</td> <td colspan="2">DFTO LIN</td> <td>DATE</td> <td>05/12/07</td> </tr> <tr> <td>TOLEANCES EXCEPT AS NOTED</td> <td>CHD</td> <td>DATE</td> <td></td> <td></td> </tr> <tr> <td>MM</td> <td>MFO</td> <td>DATE</td> <td></td> <td></td> </tr> <tr> <td>0.0 ±</td> <td>APPL</td> <td>DATE</td> <td></td> <td></td> </tr> <tr> <td>0.00 ±</td> <td></td> <td></td> <td></td> <td></td> </tr> <tr> <td>ANGLES ± 1°</td> <td colspan="2">MATERIAL :</td> <td colspan="2"></td> </tr> <tr> <td></td> <td colspan="2">G.E. :</td> <td colspan="2"></td> </tr> <tr> <td></td> <td colspan="2">FINISH :</td> <td colspan="2"></td> </tr> <tr> <td></td> <td colspan="2">SCALE : 1:1</td> <td colspan="2"></td> </tr> <tr> <td></td> <td colspan="2">DO NOT SCALE DRAWING</td> <td colspan="2"></td> </tr> </table>						DETSCHED LIST	DFTO LIN		DATE	05/12/07	TOLEANCES EXCEPT AS NOTED	CHD	DATE			MM	MFO	DATE			0.0 ±	APPL	DATE			0.00 ±					ANGLES ± 1°	MATERIAL :					G.E. :					FINISH :					SCALE : 1:1					DO NOT SCALE DRAWING			
DETSCHED LIST	DFTO LIN		DATE	05/12/07																																																			
TOLEANCES EXCEPT AS NOTED	CHD	DATE																																																					
MM	MFO	DATE																																																					
0.0 ±	APPL	DATE																																																					
0.00 ±																																																							
ANGLES ± 1°	MATERIAL :																																																						
	G.E. :																																																						
	FINISH :																																																						
	SCALE : 1:1																																																						
	DO NOT SCALE DRAWING																																																						
<table border="1"> <tr> <td>NAME</td> <td colspan="2">DRAWING NO. DG950-9.5-E01</td> <td>SIZE</td> <td>REV</td> </tr> <tr> <td></td> <td colspan="2">/PART NO.</td> <td>A3</td> <td>11</td> </tr> <tr> <td></td> <td colspan="2"></td> <td></td> <td>12/10/07</td> </tr> </table>						NAME	DRAWING NO. DG950-9.5-E01		SIZE	REV		/PART NO.		A3	11					12/10/07																																			
NAME	DRAWING NO. DG950-9.5-E01		SIZE	REV																																																			
	/PART NO.		A3	11																																																			
				12/10/07																																																			
<table border="1"> <tr> <td colspan="2">DEGSION</td> <td colspan="2">宁波德正电子有限公司</td> <td colspan="2">DEGSION ELECTRONICS CO., LTD</td> </tr> </table>						DEGSION		宁波德正电子有限公司		DEGSION ELECTRONICS CO., LTD																																													
DEGSION		宁波德正电子有限公司		DEGSION ELECTRONICS CO., LTD																																																			

8 | 7 | 6 | 5 | 4 | 3 | 2 | 1