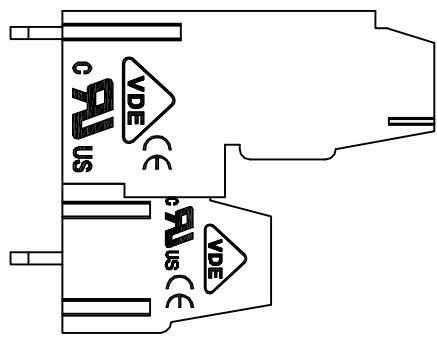
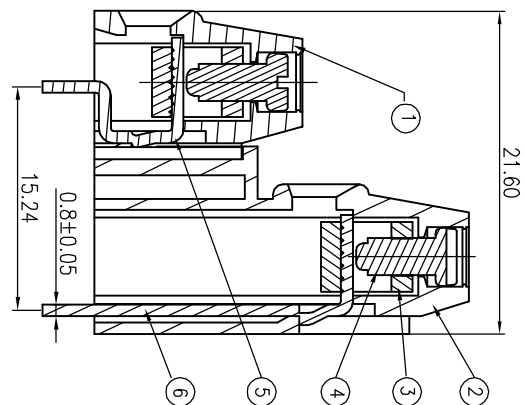
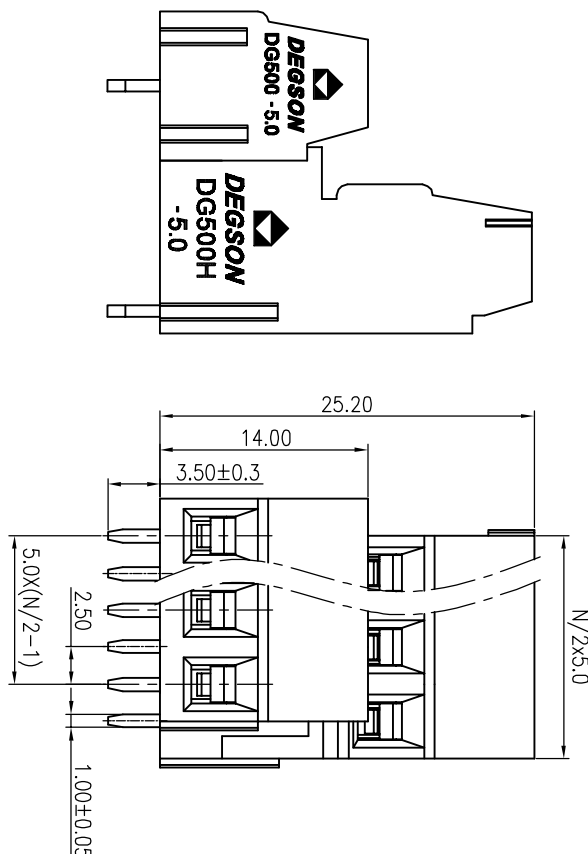
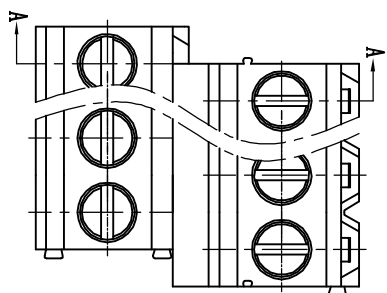


REVISION RECORD

REV	EQN	DESCRIPTION	DRFT	DATE
△		Drawing Review	Haoh	03/22/08
△		修改描述: 改为每个焊脚代客一块	LJH	03/22/08
△	10/008	修改技术参数	ZXX	10/28/10

- Notes:
1. Pitch: 5.0mm, P1oes: XXP
  2. Rated voltage/current: UL 300V/15A △ VDE 250V/24A
  3. Operation temperatures: -40° C ~ +105° C
  4. Insulation Withstand Voltage: AC2000V/1Min
  5. Insulation Resistance: 5000MΩ/DC1000V
  6. Wire Range: 24~12AWG, 2.5mm<sup>2</sup>
  7. Max. Torque Value: M2.5, 4.08kgf.cm
  8. Undimensioned Tolerances:

Pitch range in mm	Nominal dimension range in mm	
over 6 to 10	over 30 to 60	over 100 to 150
to 10	to 24	to 80 to 100 to 150
±0.10	±0.15	±0.25 ±0.2 ±0.3 ±0.5 ±0.7 ±1.0 ±0.05/10



ITEM	NAME OF PART	NO. OF PART	Q'TY	MATERIAL	NOTES
1	DG500-5.0 Housing	4045A0Y (XX/2) A(H)	1	PA66	UL94V-0
2	DG500H-5.0 Housing	4037A0Y (XX/2) A(H)	1	PA66	UL94V-0
3	DG128 Brass Cage	X000000020 (H)	XX	Brass	Ni plated
4	DG128 Pin header	4027B00010 (H)	XX/2	Brass	SnCe
5	DG128 Pin header	4027B00010 (H)	XX/2	Brass	SnCe
6	DG500H Pin header	4038B00010 (H)	XX/2	Brass	SnCe

DEGSON 宁波德正电子有限公司  
DEGSON ELECTRONICS CO., LTD

NAME: DG500B-5.0-XXP-1Y-00A(H)

DRAWING NO. DG500B-5.0-E01

SIZE: A3

REV: 13

10/28/10

DO NOT SCALE DRAWING

SHEET 1 OF 1