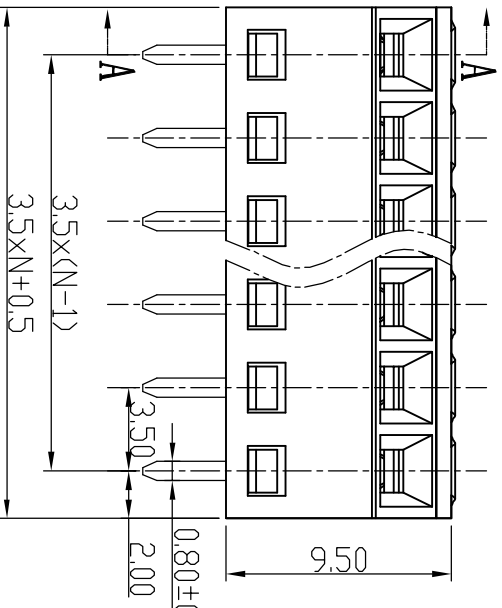
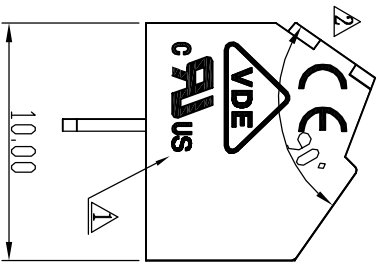
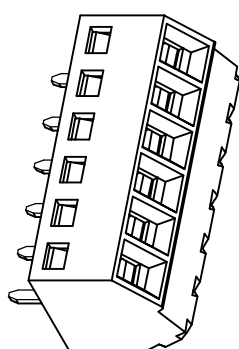
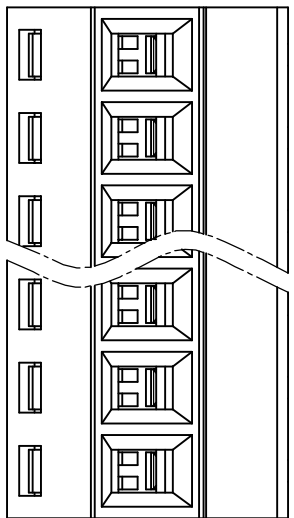
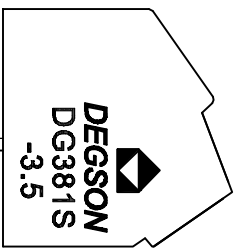
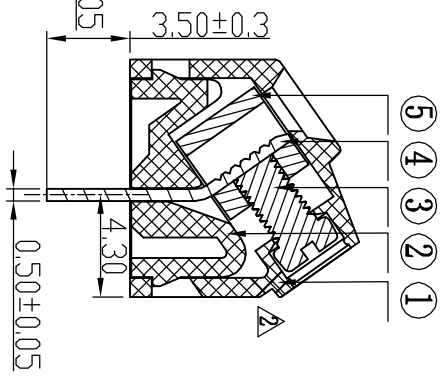


REV	ENR	DESCRIPTION	DRET	DATE
Δ	10-0152	增加山刺字	Lasting	23/05/10*
Δ	10-0279	避专利修改外观	Pengthi	08/30/10*

REVISION RECORD



SECTION A-A



- Notes:
1. Pitch: 3.5mm , Poles: 2-16P
 2. Rated voltage/current: UL 300V/10A
IEC 130V/10A
 3. Operation temperatures: -40°C~+105°C
 4. Withstanding Voltage: AC2000V/1Min
 5. Insulation Resistance: 5000MΩ /DC1000V
 6. Wire Range: 26~16AWG, 1.0mm²
 7. Max. Torque Value: M2, 2.04kgf.cm
 8. Undimensioned Tolerances:

Pitch range in mm	Nominal dimension range in mm	
over 6 to 10	over 30 to 60	over 100 to 150
10 to 24	30 to 60	100 to 150
10 to 15	25±0.2 to 0.3	0.5±0.7 to 1.0

5	DC381 Cage	X000000300 (H)	XX	Brass	Ni plated
4	DC381S-3.5 Pin header	4147B00010 (H)	XX	Copper	SnCo
3	DC381 Screws	S000001440 (H)	XX	Steel	Cr ³⁺ Zn
2	DC381S-3.5-Cover	4147C00YXA (H)	1	PA66	UL94V-0

DETACHED LISTS

ITEM	NAME OF PART	NO. OF PART	QTY	MATERIAL	NOTES
1	DC381S-3.5-Housing	4147A0YXA (H)	1	PA66	UL94V-0

NAME	DC381S-3.5-XXP-1Y-00A(H)
DRAWING NO.	DG381S-3.5-E01
FINISH	
SCALE	1:1
DRAWING NO.	DG381S-3.5-E01
SIZE	A3
REV	12
DATE	10/30/10*
SHEET	1 OF 1

