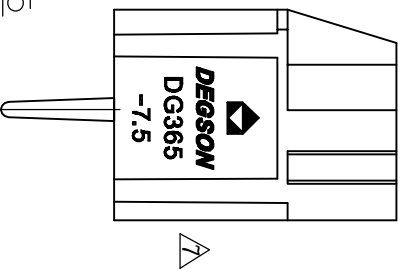
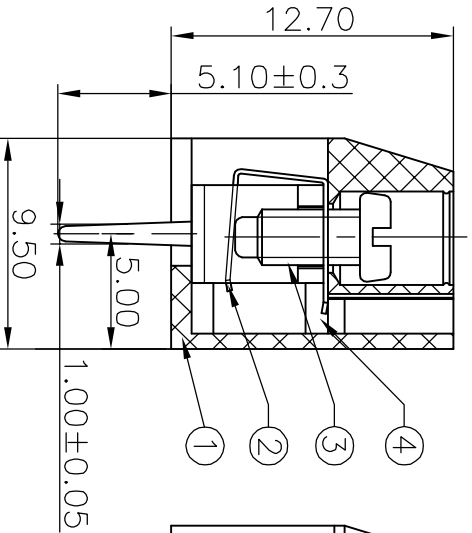


Pitch range in mm	over	to	Nominal dimension in mm	over	to	over	to
6 to 8	6	10	30	60	100	150	—
10 to 15	10	24	30	60	100	150	□

- Notes:
- Pitch: 7.5mm, Poles: 2P-XXP
  - Rated voltage/current: UL 300V/15A  
VDE 450V/20A
  - Operation temperatures: -30°C~+120°C
  - Insulation Withstand Voltage: AC2000V/1Min
  - Insulation Resistance: 5000MΩ/DC1000V
  - Wire Range: 22-14AWG, 2.5mm<sup>2</sup>
  - Max Torque Value: M2.5, 4.08kgf.cm
  - Undimensioned Tolerances:  $\Delta$

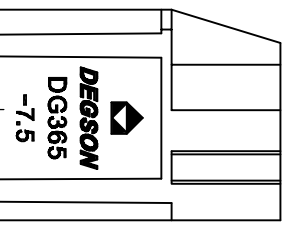
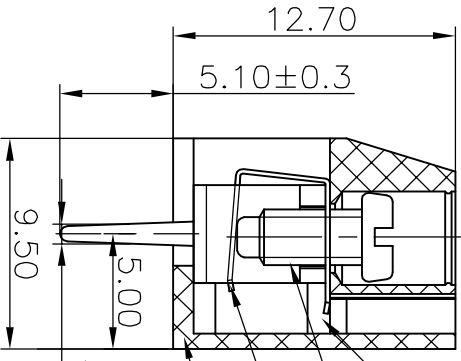
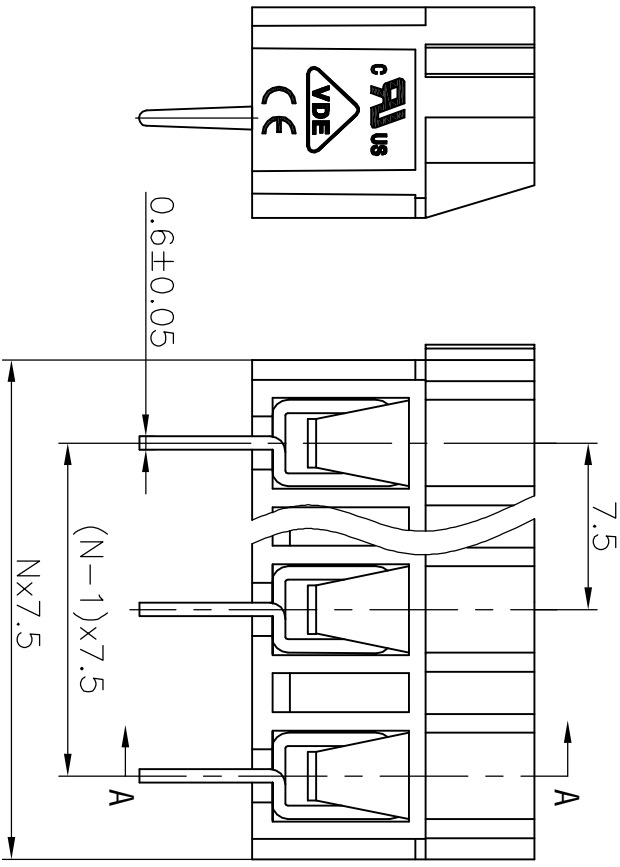
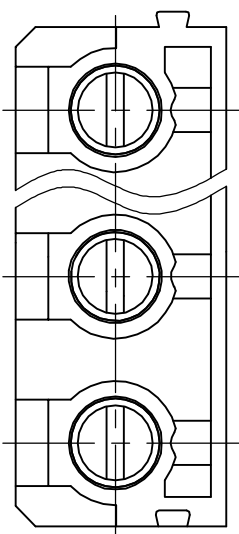
REV	ECOI	DESCRIPTION	DRFT	DATE
△		Drawing Revise	Haoyh	05/13/06
△		增加UL字样	CSX	08/06/07
△		品名、料号增加环保标示“(0)”	LJH	12/10/07
△		修改料号	CSX	01/19/08
△		图面更新	Zengy	09/05/08



SECTION A-A

1	DG365-7.5-Housing	4046A0YXXA(H)	1	PBT	UL94V-0																						
<table border="1"> <thead> <tr> <th>ITEM</th> <th>NAME OF PART</th> <th>NO. OF PART</th> <th>Q'TY</th> <th>MATERIAL</th> <th>NOTES</th> </tr> </thead> <tbody> <tr> <td>1</td> <td>DG365-7.5-Housing</td> <td>4046A0YXXA(H)</td> <td>1</td> <td>PBT</td> <td>UL94V-0</td> </tr> </tbody> </table>						ITEM	NAME OF PART	NO. OF PART	Q'TY	MATERIAL	NOTES	1	DG365-7.5-Housing	4046A0YXXA(H)	1	PBT	UL94V-0										
ITEM	NAME OF PART	NO. OF PART	Q'TY	MATERIAL	NOTES																						
1	DG365-7.5-Housing	4046A0YXXA(H)	1	PBT	UL94V-0																						
<table border="1"> <thead> <tr> <th colspan="2">DETACHED LISTS</th> </tr> <tr> <th>MM</th> <th>(INCH)</th> </tr> </thead> <tbody> <tr> <td>0.0 ±</td> <td>±</td> </tr> <tr> <td>0.00 ±</td> <td>±</td> </tr> <tr> <td>0.00 ±</td> <td>±</td> </tr> <tr> <td colspan="2">ANGLES ± 1°</td> </tr> <tr> <td colspan="2">TOLERANCES EXCEPT AS NOTED</td> </tr> <tr> <td>DATE</td> <td>DATE</td> </tr> <tr> <td>DATE</td> <td>DATE</td> </tr> <tr> <td>DATE</td> <td>DATE</td> </tr> <tr> <td>DATE</td> <td>DATE</td> </tr> </tbody> </table>						DETACHED LISTS		MM	(INCH)	0.0 ±	±	0.00 ±	±	0.00 ±	±	ANGLES ± 1°		TOLERANCES EXCEPT AS NOTED		DATE	DATE	DATE	DATE	DATE	DATE	DATE	DATE
DETACHED LISTS																											
MM	(INCH)																										
0.0 ±	±																										
0.00 ±	±																										
0.00 ±	±																										
ANGLES ± 1°																											
TOLERANCES EXCEPT AS NOTED																											
DATE	DATE																										
DATE	DATE																										
DATE	DATE																										
DATE	DATE																										
<table border="1"> <thead> <tr> <th colspan="2">DEGSON</th> </tr> <tr> <th>NAME</th> <th>DEGSON ELECTRONICS CO., LTD</th> </tr> </thead> <tbody> <tr> <td>NAME</td> <td>宇波捷正电子有限公司</td> </tr> <tr> <td>DRAWING NO.</td> <td>DG365-7.5-E01</td> </tr> <tr> <td>/PART NO.</td> <td></td> </tr> <tr> <td>DO NOT SCALE DRAWING</td> <td></td> </tr> </tbody> </table>						DEGSON		NAME	DEGSON ELECTRONICS CO., LTD	NAME	宇波捷正电子有限公司	DRAWING NO.	DG365-7.5-E01	/PART NO.		DO NOT SCALE DRAWING											
DEGSON																											
NAME	DEGSON ELECTRONICS CO., LTD																										
NAME	宇波捷正电子有限公司																										
DRAWING NO.	DG365-7.5-E01																										
/PART NO.																											
DO NOT SCALE DRAWING																											
<table border="1"> <thead> <tr> <th>SIZE</th> <th>REV</th> </tr> </thead> <tbody> <tr> <td>A3</td> <td>T7</td> </tr> <tr> <td>01/19/08</td> <td></td> </tr> </tbody> </table>						SIZE	REV	A3	T7	01/19/08																	
SIZE	REV																										
A3	T7																										
01/19/08																											

8 7 6 5 4 3 2 1



Pitch range in mm	Nominal dimension range	
	in mm	in mm
over	over	over
to	to	to
6 to 8	10 to 10	30 to 30
10 to 15	15 to 24	60 to 100
15 to 20	24 to 30	100 to 150
20 to 25	30 to 30	150 to 150
25 to 30	30 to 30	150 to 150
30 to 35	30 to 30	150 to 150
35 to 40	30 to 30	150 to 150
40 to 45	30 to 30	150 to 150
45 to 50	30 to 30	150 to 150
50 to 55	30 to 30	150 to 150
55 to 60	30 to 30	150 to 150
60 to 65	30 to 30	150 to 150
65 to 70	30 to 30	150 to 150
70 to 75	30 to 30	150 to 150
75 to 80	30 to 30	150 to 150
80 to 85	30 to 30	150 to 150
85 to 90	30 to 30	150 to 150
90 to 95	30 to 30	150 to 150
95 to 100	30 to 30	150 to 150
100 to 105	30 to 30	150 to 150
105 to 110	30 to 30	150 to 150
110 to 115	30 to 30	150 to 150
115 to 120	30 to 30	150 to 150
120 to 125	30 to 30	150 to 150
125 to 130	30 to 30	150 to 150
130 to 135	30 to 30	150 to 150
135 to 140	30 to 30	150 to 150
140 to 145	30 to 30	150 to 150
145 to 150	30 to 30	150 to 150

- Notes:
1. Pitch: 7.5mm, Poles: 2P-XXP
  2. Rated voltage/current: UL 300V/15A  
VDE 450V/20A
  3. Operation temperatures: -30°C ~ +120°C
  4. Insulation Withstand Voltage: AC2000V/1Min
  5. Insulation Resistance: 5000MΩ/DC1000V
  6. Wire Range: 22-14AWG, 2.5mm<sup>2</sup>
  7. Max Torque Value: M2.5, 4.08kgf.cm
  8. Undimensioned Tolerances:

REVISION RECORD			
REV	ECO	DESCRIPTION	DRFT DATE
△		Drawing Revise	Haoyh 05/13/06
△		增加UL字样	CSX 08/06/07
△		品名、料号增加环保标示“(0)”	LJH 12/10/07
△		修改料号	CSX 01/19/08
△		图面更新	Zengy 09/05/08

4	DG305-Pin header	4003B00010(H)	XX	Brass	SnCe
3	DG305-Screws	S000001620(H)	XX	Steel	Cr <sup>3</sup> +Zn
2	DG305-Spring	X000000260(H)	XX	Phosphor bronze	Ni plated

1	DG365-7.5-Housing	4046A0YXXA(H)	1	PBT	UL94V-0
ITEM	NAME OF PART	NO. OF PART	Q'TY	MATERIAL	NOTES
DETACHED LISTS TOLERANCES EXCEPT AS NOTED DIM (MM) ANGLES ± 1° THIRD ANGLE PROJECTION FINISH: SCALE:					
NAME: <b>DEGSON</b> 宁波捷正电子有限公司 DEGSON® DEGSON ELECTRONICS CO., LTD DRAWING NO. DG365-7.5-E01 /PART NO. A3 DO NOT SCALE DRAWING					

8 7 6 5 4 3 2 1