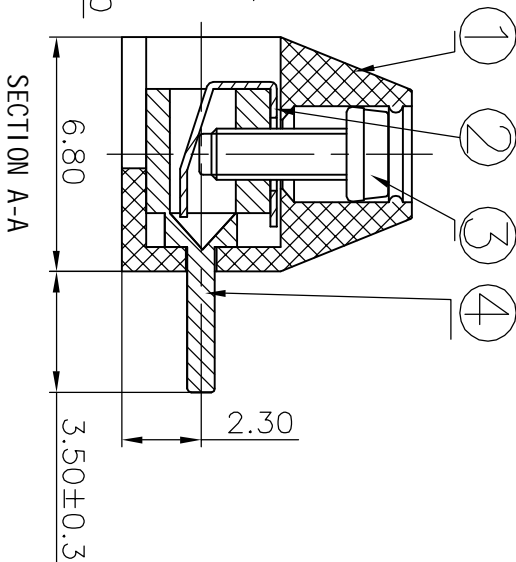
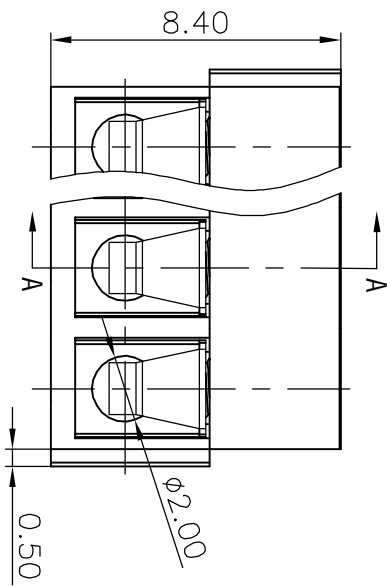
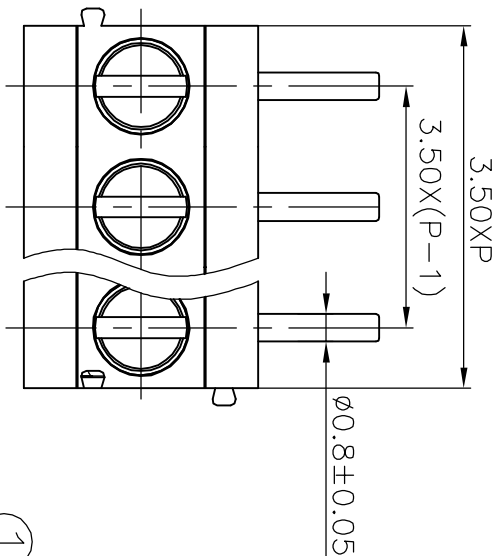
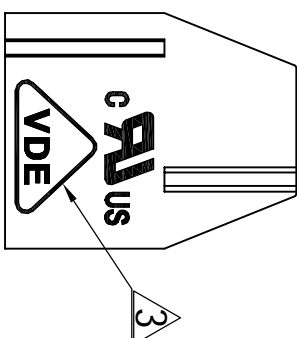
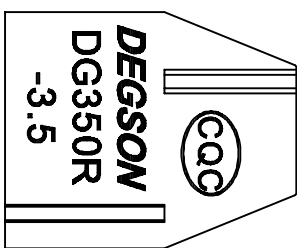


REVISION RECORD			
REV	ECOI	DESCRIPTION	DRFT DATE
Δ		Drawing Revise	Haoyh 03/18/06
Δ		修改刻字	CSX 09/25/06
Δ		增加VDE刻字	LJH 12/28/07



Pitch range in mm	Nominal dimension range			
	in mm	in mm	in mm	in mm
over 6	over 10	over 30	over 60	over 100
to 10	to 24	to 30	to 80	to 150
±0.10	±0.15	±0.25	±0.2±0.3	±0.5±0.7±1.0±0.05/10

- Notes:
- Pitch: 3.5mm
 - Rated voltage/current: UL 300V/10A VDE 130V/10A
 - Operation temperatures: -40°C ~ +105°C
 - Withstanding Voltage: AC2000V/1Min
 - Insulation Resistance: 5000MΩ/DC1000V
 - Wire Range: 24-18AWG, 1mm²
 - Max. Torque Value: M2, 2.04kgf·cm
 - Undimensioned Tolerances:

ITEM	NAME OF PART	NO. OF PART	Q'TY	MATERIAL	NOTES
1	DG350-3.5-Housing	4018A0VXXA(H)	1	PA66	UL94V-0

DETACHED LISTS	
MM (mm)	MM
TOLEANCES EXCEPT AS NOTED	
MM	±
0.00 ±	±
0.00 ±	±
ANGLES ± 1°	
THIRD ANGLE PROJECTION	

ITEM	NAME OF PART	NO. OF PART	Q'TY	MATERIAL	NOTES
2	DG350-Cage	X000000290(H)	XX	Ni plated	
3	DG350-Screws	S000001400(H)	XX	Steel	
4	DG350R-Pin header	4018B00010(H)	XX	Brass	

DEGSON 宁波德正电子有限公司	
NAME	DG350R-3.5-XXP-1Y-00A(H)
DRAWING NO.	DG350R-3.5-E02
/PART NO.	
DO NOT SCALE DRAWING	

8 7 6 5 4 3 2 1