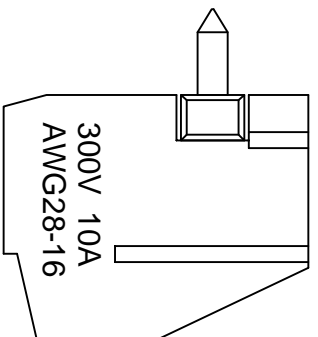
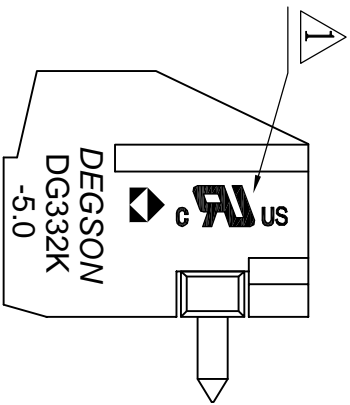
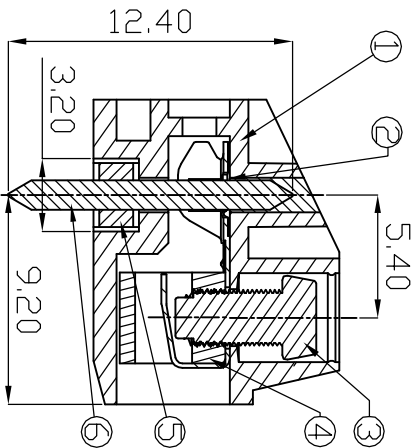
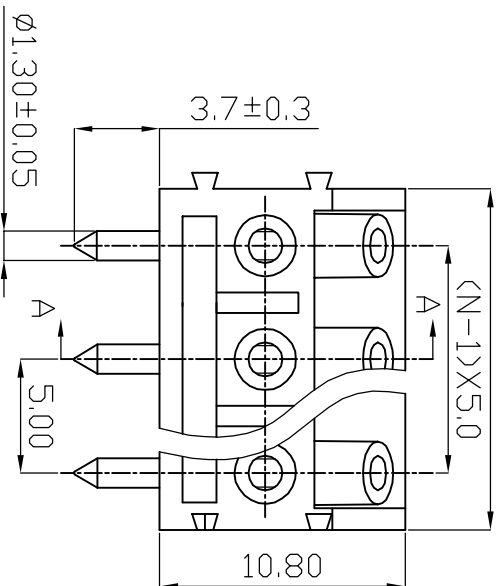
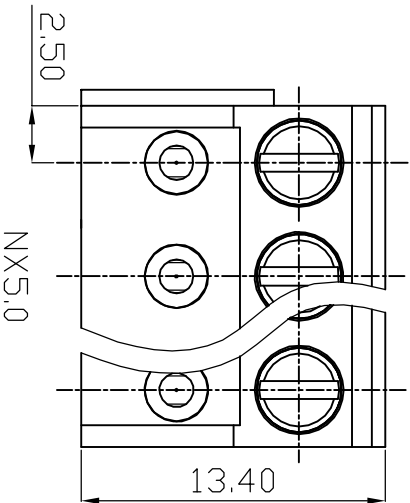


REVISION RECORD			
REV	EQD	DESCRIPTION	DATE
1		去掉山中的小“R”字	17/15/08*

ROHS



Notes:

1. Pitch: 5.0mm , Poles: 2-XXP
2. Rated voltage/current: UL 300V/10A  
IEC 250V/17.5A
3. Operation temperatures: -30℃~+120℃
4. Withstanding Voltage: AC2000V/1min
5. Insulation Resistance: 5000MΩ/DC1000V
6. Wire Range: 28~16AWG, 1.5mm<sup>2</sup>
7. Max. Torque Value: M2, 5, 4, 08kgf. cm
8. Undimensioned Tolerances:

Pitch range in mm	Nominal dimension range in mm					
	over 6	over 10	over 30	over 60	over 100	over 150
to 6	to 10	to 30	to 60	to 100	to 150	∩
to 10	to 24	to 50	to 60	to 100	to 150	□
±0.10	±0.15	±0.25	±0.2±0.3	±0.5±0.7	±1.0±0.05/10	

ITEM	NAME OF PART	NO. OF PART	Q'TY	MATERIAL	NOTES
6	DC332-Pin header	4014B00010(H)	XX	Brass	SnCe
5	DC332-5.0-Housing	4014A03XXA(H)	1	PAGE+10%CP	UL 94V-0
4	DC332-Cage	X000000280(H)	XX	Brass	Ni plated
3	DC332-Screws	S000001390(H)	XX	Steel	Cr <sup>3+</sup> Zn
2	DC332-Spring	X000000270(H)	XX	Phosphor bronze	Ni plated
1	DC332K-5.0 Housing	4013A02XXB(H)	1	PBT	UL 94V-0

DETACHED LISTS	
ANGLE ± 1°	THIRD ANGLE PROJECTION
0 ± .00 ± .000 ±	FINISH:
± ± ±	SCALE: 1 : 1

DATE 03/26/08*	DATE	DATE	DATE
CHKD	APPV	DATE	DATE
NAME: <b>DEGSON</b> 宁波捷正电子有限公司 DEGSON® DEGSON ELECTRONICS CO., LTD			
NAME: <b>DG332KJ-5.0-XXP-1Y-00A(H)</b>			
DRAWING NO: <b>DG332KJ-E01</b>			
/PART NO.			
DD NDT SCALE DRAWING			
SHEET 1 OF 1			

8 7 6 5 4 3 2 1