

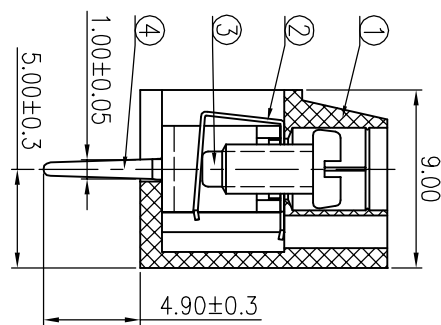
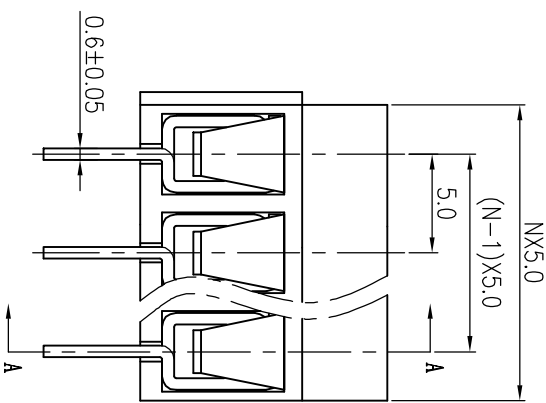
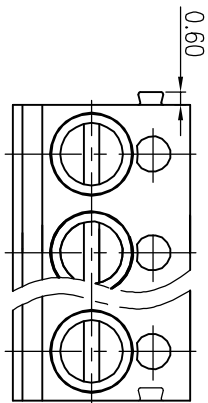
REVISION RECORD

REV	ECO	DESCRIPTION	DRFT	DATE
Δ		Drawing Revise	Hand/H	03/16/06
Δ		增加VDE、CE标志	LJH	12/24/07
Δ		修改参数“450V”为“250V”	LJH	05/16/09
Δ		铜片材料由磷青铜变为不锈钢	YHG	07/07/09

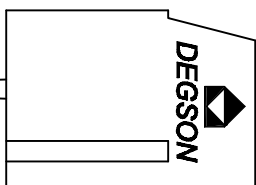
Notes:

1. Pitch: 5.0mm, Poles: 2-XXP
2. Rated voltage/current: UL 300V/15A
VDE 250V/20A
3. Operation temperatures: -30°C~+120°C
4. Withstanding Voltage: AC2000V/1Min
5. Insulation Resistance: 5000MΩ/DC1000V
6. Wire Range: 22~14AWG, 2.5mm²
7. Max. Torque Value: M2.5, 4.08kgf.cm
8. Undimensioned Tolerances:

Pitch range in mm	Nominal dimension range in mm	over	over	over	over	over
to 6	to 10	to 30	to 60	to 100	to 150	—
6 to 10	10 to 24	to 30	to 60	to 100	to 150	□
±0.10	±0.15	±0.25	±0.2±0.3	±0.5±0.7	±1.0±0.6	∅



SECTION A-A



ITEM	NAME OF PART	NO. OF PART	Q'TY	MATERIAL	NOTES
4	DC305-Pin header	4003B00010 (H)	XX	Brass	SnCe
3	DC305-Screws	S000001620 (H)	XX	Steel	Cr ³⁺ Zn
2	DC305-spring	X000000260 (H)	XX	Stainless steel	
1	DC305-5.0-Housing	4003A0YXXA (H)	1	PBT	UL94V-0

DETACHED LISTS

MM	0 ±	±
MM	0.00 ±	±
MM	0.00 ±	±
ANGLES ± 1°		
THIRD ANGLE PROJECTION		

DEGSON
 宁波捷正电子有限公司
 DEGSON ELECTRONICS CO., LTD

NAME: DG305-5.0-XXP-1Y-00A(H)
 DRAWING NO. DG305-5.0-E02
 /PART NO. A3
 DO NOT SCALE DRAWING
 SHEET 1 OF 1