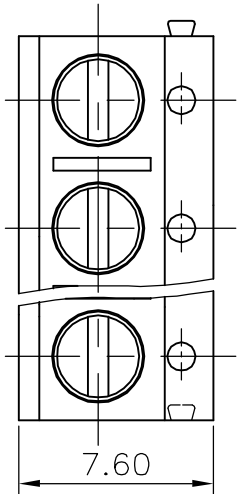
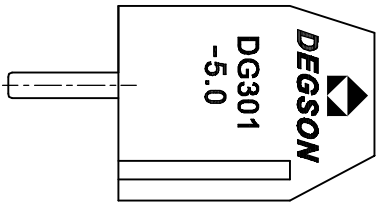
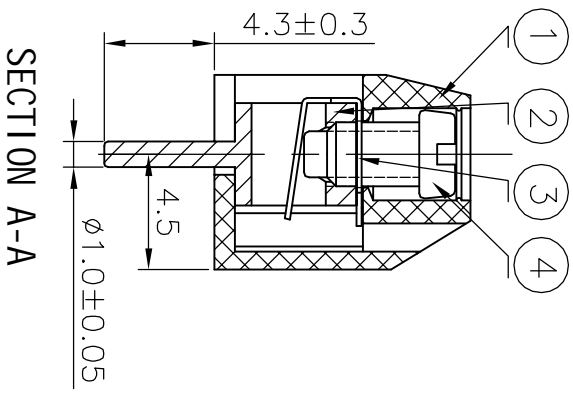
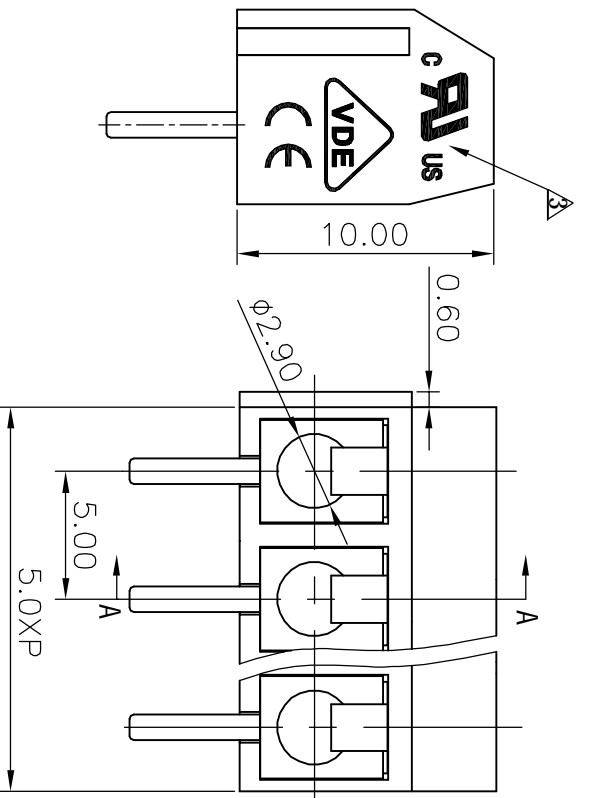


REVISION RECORD			
REV	ECOI	DESCRIPTION	DRFT DATE
△		Drawing Revise	Hwyh 03/14/06
△		修改刻字	CSX 12/28/06
△		品名、料号增加环保标示“00”	CSX 12/10/07



- Notes:
- pitch: 5.0mm
 - Rated voltage/current: UL 300V/15A
VDE 250V/17.5A
 - Insulation resistance: 5000MΩ/1000V
 - Withstanding voltage: AC2000V/1Min
 - Wire range: 22-14AWG 1.5mm²
 - Temp. Range: -30°C~+120°C
 - Torque: 4.08kgf.cm
 - Undimensioned Tolerances:



1	DG301-5.0 Housing	4004A0YXXA(H)	1	PBT	UL 94V-0																																																																																																														
<table border="1"> <thead> <tr> <th>ITEM</th> <th>NAME OF PART</th> <th>NO. OF PART</th> <th>Q'TY</th> <th>MATERIAL</th> <th>NOTES</th> </tr> </thead> <tbody> <tr> <td colspan="6">DETACHED LISTS</td> </tr> <tr> <td>MM</td> <td>(INCH)</td> <td colspan="4"></td> </tr> <tr> <td colspan="6">TOLERANCES EXCEPT AS NOTED</td> </tr> <tr> <td>MM</td> <td>0 ±</td> <td>±</td> <td colspan="3"></td> </tr> <tr> <td>MM</td> <td>0.00 ±</td> <td>±</td> <td colspan="3"></td> </tr> <tr> <td>MM</td> <td>0.00 ±</td> <td>±</td> <td colspan="3"></td> </tr> <tr> <td>DATE</td> <td>DATE</td> <td>DATE</td> <td>DATE</td> <td colspan="2"></td> </tr> <tr> <td>CHKD</td> <td>CHKD</td> <td>DATE</td> <td>DATE</td> <td colspan="2"></td> </tr> <tr> <td>APPLD</td> <td>APPLD</td> <td>DATE</td> <td>DATE</td> <td colspan="2"></td> </tr> <tr> <td colspan="6">MATERIAL :</td> </tr> <tr> <td colspan="6">G.E. :</td> </tr> <tr> <td colspan="6">FINISH :</td> </tr> <tr> <td colspan="6">SCALE : 1:1</td> </tr> <tr> <td colspan="6">THIRD ANGLE PROJECTION</td> </tr> <tr> <td colspan="6"> <table border="1"> <tr> <td>NAME</td> <td>DEGSON 宁波德正电子有限公司</td> </tr> <tr> <td>NAME</td> <td>DEGSON ELECTRONICS CO., LTD</td> </tr> <tr> <td>NAME</td> <td>DG301-5.0-XXP-1Y-00A(H)</td> </tr> <tr> <td>DRAWING NO.</td> <td>DG301-5.0-E01</td> </tr> <tr> <td>/PART NO.</td> <td></td> </tr> <tr> <td>DO NOT SCALE DRAWING</td> <td></td> </tr> <tr> <td>SHEET 1</td> <td>OF 1</td> </tr> </table> </td> </tr> </tbody> </table>						ITEM	NAME OF PART	NO. OF PART	Q'TY	MATERIAL	NOTES	DETACHED LISTS						MM	(INCH)					TOLERANCES EXCEPT AS NOTED						MM	0 ±	±				MM	0.00 ±	±				MM	0.00 ±	±				DATE	DATE	DATE	DATE			CHKD	CHKD	DATE	DATE			APPLD	APPLD	DATE	DATE			MATERIAL :						G.E. :						FINISH :						SCALE : 1:1						THIRD ANGLE PROJECTION						<table border="1"> <tr> <td>NAME</td> <td>DEGSON 宁波德正电子有限公司</td> </tr> <tr> <td>NAME</td> <td>DEGSON ELECTRONICS CO., LTD</td> </tr> <tr> <td>NAME</td> <td>DG301-5.0-XXP-1Y-00A(H)</td> </tr> <tr> <td>DRAWING NO.</td> <td>DG301-5.0-E01</td> </tr> <tr> <td>/PART NO.</td> <td></td> </tr> <tr> <td>DO NOT SCALE DRAWING</td> <td></td> </tr> <tr> <td>SHEET 1</td> <td>OF 1</td> </tr> </table>						NAME	DEGSON 宁波德正电子有限公司	NAME	DEGSON ELECTRONICS CO., LTD	NAME	DG301-5.0-XXP-1Y-00A(H)	DRAWING NO.	DG301-5.0-E01	/PART NO.		DO NOT SCALE DRAWING		SHEET 1	OF 1
ITEM	NAME OF PART	NO. OF PART	Q'TY	MATERIAL	NOTES																																																																																																														
DETACHED LISTS																																																																																																																			
MM	(INCH)																																																																																																																		
TOLERANCES EXCEPT AS NOTED																																																																																																																			
MM	0 ±	±																																																																																																																	
MM	0.00 ±	±																																																																																																																	
MM	0.00 ±	±																																																																																																																	
DATE	DATE	DATE	DATE																																																																																																																
CHKD	CHKD	DATE	DATE																																																																																																																
APPLD	APPLD	DATE	DATE																																																																																																																
MATERIAL :																																																																																																																			
G.E. :																																																																																																																			
FINISH :																																																																																																																			
SCALE : 1:1																																																																																																																			
THIRD ANGLE PROJECTION																																																																																																																			
<table border="1"> <tr> <td>NAME</td> <td>DEGSON 宁波德正电子有限公司</td> </tr> <tr> <td>NAME</td> <td>DEGSON ELECTRONICS CO., LTD</td> </tr> <tr> <td>NAME</td> <td>DG301-5.0-XXP-1Y-00A(H)</td> </tr> <tr> <td>DRAWING NO.</td> <td>DG301-5.0-E01</td> </tr> <tr> <td>/PART NO.</td> <td></td> </tr> <tr> <td>DO NOT SCALE DRAWING</td> <td></td> </tr> <tr> <td>SHEET 1</td> <td>OF 1</td> </tr> </table>						NAME	DEGSON 宁波德正电子有限公司	NAME	DEGSON ELECTRONICS CO., LTD	NAME	DG301-5.0-XXP-1Y-00A(H)	DRAWING NO.	DG301-5.0-E01	/PART NO.		DO NOT SCALE DRAWING		SHEET 1	OF 1																																																																																																
NAME	DEGSON 宁波德正电子有限公司																																																																																																																		
NAME	DEGSON ELECTRONICS CO., LTD																																																																																																																		
NAME	DG301-5.0-XXP-1Y-00A(H)																																																																																																																		
DRAWING NO.	DG301-5.0-E01																																																																																																																		
/PART NO.																																																																																																																			
DO NOT SCALE DRAWING																																																																																																																			
SHEET 1	OF 1																																																																																																																		

4	DG301-Screws	S000001420(H)	XX	Steel	C ³ 7n
3	DG301-Spring	X000000250(H)	XX	Stainless Steel	
2	DG301 (A) -pin header	4004B00010(H)	XX	BRASS	since

8 7 6 5 4 3 2 1