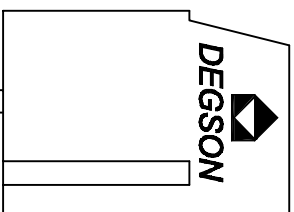
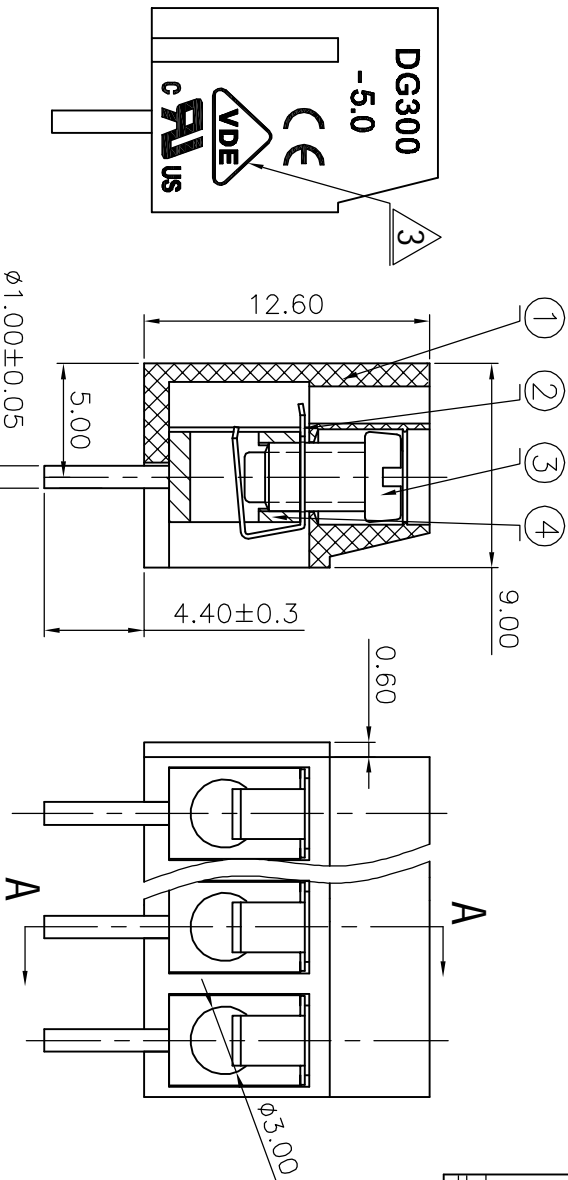
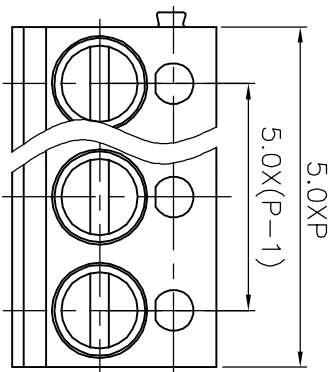


REVISION RECORD			
REV	ECGI	DESCRIPTION	DRFT DATE
△		Drawing Revise	Had0/h 03/14/06
△		增加VDE、CE标志	12/24/07
		LJH	

- Notes:
1. pitch: 5.0mm
 2. Rated voltage/current: UL 300V/10A
VDE 250V/24A
 3. Insulation resistance: 5000MΩ/1000V
 4. Withstanding voltage: AC2000V/1Min
 5. Wire range: 22-14AWG 2.5mm²
 6. Temp. Range: -30° C--+120° C
 7. Torque: 5.10kgf.cm
 8. Undimensioned Tolerances:

Pitch range in mm	Nominal dimension range in mm
over 6 to 10	over 30 to 60
over 10 to 24	over 60 to 100
over 24 to 30	over 100 to 150
±0.10	±0.15
±0.25	±0.3
±0.5	±0.7
±1.0	±0.005/10



SECTION A-A

4	DG300(A) Pin header	4001B00010(H)	XX	Brass	SnCe
3	DG300 Screws	S000001380(H)	XX	Steel	C ³ Zn
2	DG300 Spring	X000000230(H)	XX	Stainless steel	

1	DG300-5.0-Housing	4007A0YXXA(H)	1	PBT	UL94V-0
ITEM	NAME OF PART	NO. OF PART	Q'TY	MATERIAL	NOTES
DETACHED LISTS					
	UNIT (MM)				
	TOLEANCES EXCEPT AS NOTED				
	MM	±			
	0.0 ±	±			
	0.00 ±	±			
	0.000 ±	±			
	ANGLES ± 1°				
	THIRD ANGLE PROJECTION				
	FINISH :	G.E. :			
	SCALE : 1:1				
NAME		DG300-5.0-XXP-1Y-00A(H)			
DRAWING NO.		DG300-5.0-E02			
/PART NO.					
DO NOT SCALE DRAWING		SHEET 1		OF 1	
DEGSON 宁波捷正电子有限公司		DEGSON ELECTRONICS CO., LTD			
NAME		DG300-5.0-XXP-1Y-00A(H)			
DRAWING NO.		DG300-5.0-E02			
/PART NO.					
DO NOT SCALE DRAWING		SHEET 1		OF 1	