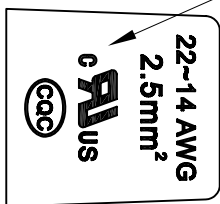
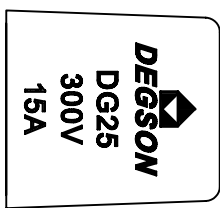
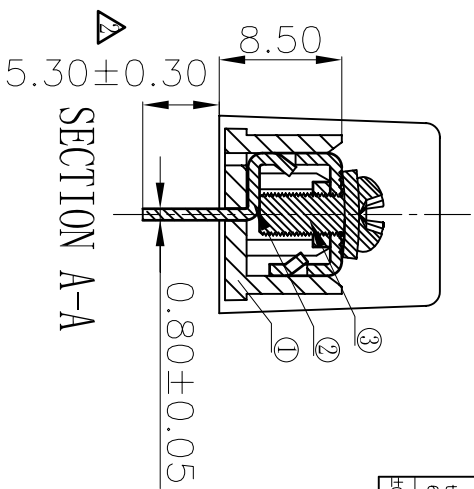
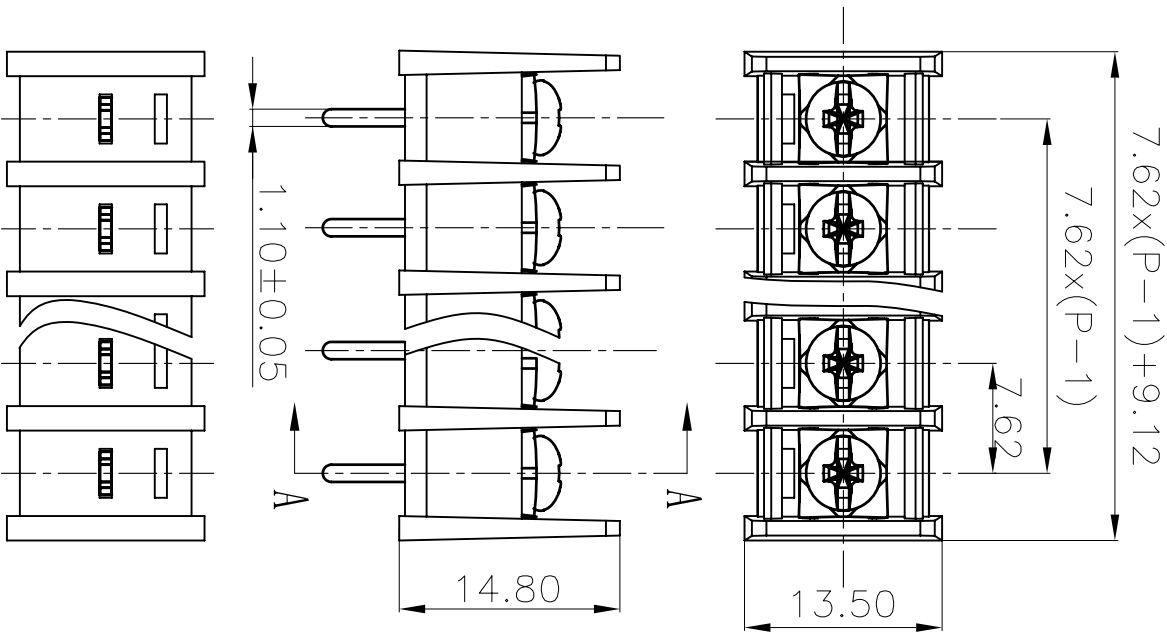


REVISION RECORD				
REV/	ECO/	DESCRIPTION	DRFT/	DATE
△		图纸更新	CSX	07/18/06*
△		增加U1刻字	Yeji	11/06/06*

NOTES:

1. Pitch: 7.62mm
2. Rated current: 15A
3. Rated voltage: 300V
4. Operation temperatures: -40° C~+105° C
5. Insulation Withstand Voltage: AC2000V/1min
6. Insulation Resistance: 500MΩ /DC500V
7. Wire Range: 22~14AWG
8. Max. Torque: 5.10kgf. cm
9. Undimensioned Tolerances:

Pitch range in mm		Nominal dimension range	
over	over	in mm	over
6	10	6	30
to	to	to	to
10	24	30	90
		to	200
		to	480
H0.10	H0.15	H0.25±0.1	±0.3±0.5±0.7±0.5/h0



ITEM	NAME OF PART	QTY	MATERIAL	NOTES
3	3#6 bright-Screw	XX	Steel	Ni Plated
2	DG25C-Pin Header	XX	Brass	SnCe
1	DG25C Housing	1	PA66	UL94V-0

DETO Home	DATE 12/12/05*
CHKD	DATE
MFD	DATE
APPAL	DATE

TOLERANCES EXCEPT AS NOTED	
MM	±
0 ±	
.00 ±	
.000 ±	

ANGLES ± 1°	
FINISH :	
SCALE :	

NAME	
DG25C-B-XXP-1Y-00A(H)	
DRAWING NO.	DG25C-E16
/PART NO.	
SIZE	A3
REV	T2
	11/06/06*

DO NOT SCALE DRAWING	
SHEET 1	OF 1

8 7 6 5 4 3 2 1