

REVISION RECORD

| REV | ECN | DESCRIPTION | DRFT | DATE |
|-----|-----|-------------|------|------|
|-----|-----|-------------|------|------|

NOTES1:

UL Standard

- 1.Rated voltage/current : 300V / 15A
- 2.Wire range : 28~12AWG

IEC Standard

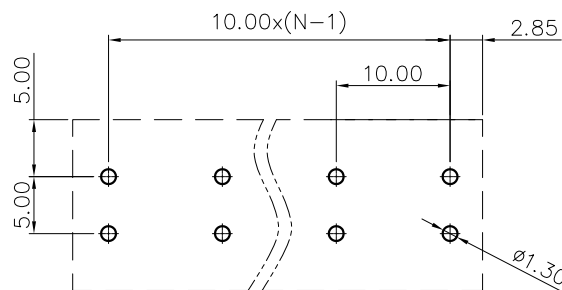
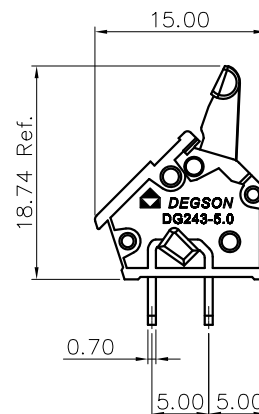
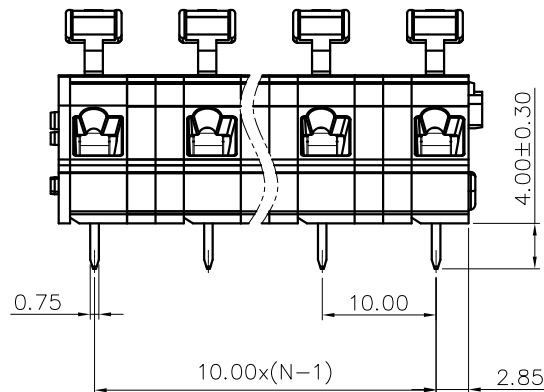
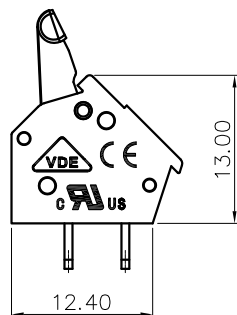
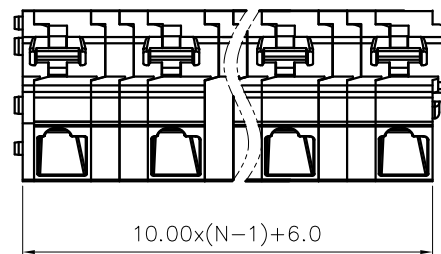
- 1.Rated voltage/current : 1000V / 17A
- 2.Wire range : 0.2~2.5mm<sup>2</sup>

NOTES2:

- 1.Dimension shall be interpreted per ASME Y14.5-2009
- 2.Pitch : 10.00mm, Poles : N=01~XXP
- 3.Stripping length : 5~6mm
- 4.Withstanding voltage : AC3500V/1Min
- 5.Operating temperature : -40°C~+105°C
- 6.Undimensioned tolerances:

| Pitch range in mm |         | Nominal dimension range in mm |         |          |          | -      | ∩     | ∇   |
|-------------------|---------|-------------------------------|---------|----------|----------|--------|-------|-----|
| Over 6            | Over 10 | Over 30                       | Over 60 | Over 100 | Over 150 | 0.1/10 |       |     |
| TO 6              | TO 10   | TO 24                         | TO 30   | TO 60    | TO 100   |        | <     |     |
| ±0.15             | ±0.20   | ±0.30                         | ±0.30   | ±0.50    | ±0.70    | ±1.00  | ±1.30 | ±2' |

7.RoHS Compliance



PCB LAYOUT

DG243 - 10.0 - XXP - 1Y - 00A (H)  
 (Series No.) (Pitch) (Poles) (Single Pitch) (Color) : 1.(Grey)  
 2.(Blue)  
 3.(Black)  
 4.(Green)  
 5.(Orange)  
 6.(Red)  
 7.(Transparent)  
 8.(Yellow)  
 9.(White)

|                |           |                        |  |                      |     |
|----------------|-----------|------------------------|--|----------------------|-----|
| DETACHED LISTS | PART NO.: | /                      |  |                      |     |
|                | APPD:     | /                      |  |                      |     |
|                | CHKD:     | /                      |  |                      |     |
|                | DRFT:     | /                      |  |                      |     |
|                |           |                        |  |                      |     |
|                |           | THIRD ANGLE PROJECTION |  | DO NOT SCALE DRAWING |     |
|                |           | DRAWING NO.:           |  | REV                  | DO  |
|                |           | /                      |  | SHEET                | 1/1 |
|                |           | SCALE                  |  | 1:1                  |     |

宁波高松电子有限公司  
 NINGBO DEGSON ELECTRICAL CO., LTD

NAME: DG243-10.0-XXP-1Y-00A(H)

TITLE: CUSTOMER DRAWING

SCALE: 1:1