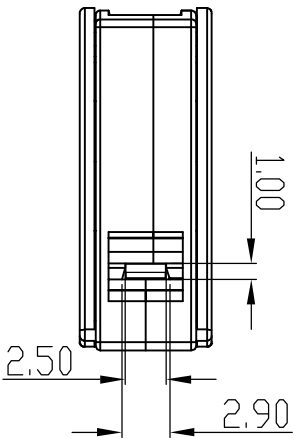
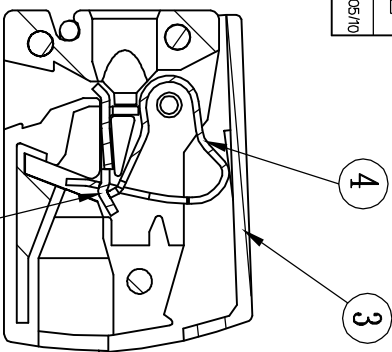
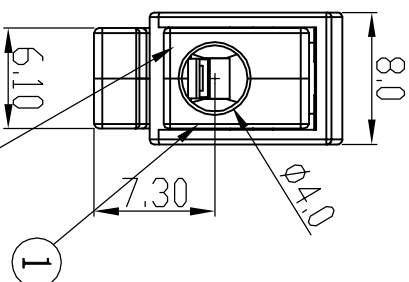
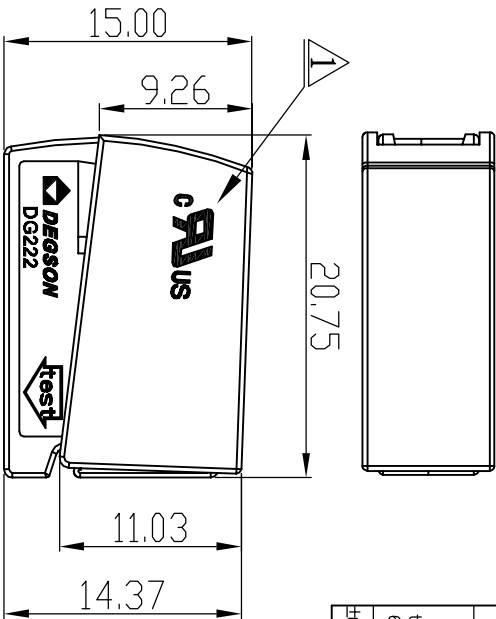
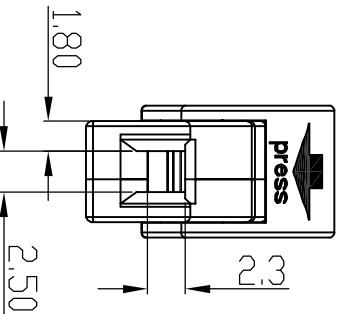


- Notes:
1. Rated voltage/current: UL 300V/22A VDE 450V/24A
 2. Operation temperatures: -40° C~+105° C
 3. Insulation Resistance: 5MΩ /DC500V
 4. Withstanding voltage: AC2500V/1Min
 5. Wire Range: "A" Direction 14-12AWG, 1.0-2.5mm² (Solid)
 6. "B" Direction 22-12AWG, 0.2-2.5mm² (solid-strand wire)

Pitch range in mm	Nominal dimension range in mm					
over 6	over 10	over 30	over 60	over 100	over 150	—
to 10	to 24	to 30	to 60	to 100	to 150	□
±0.10	±0.15	±0.25	±0.3	±0.5	±0.7	±1
						0.05/10



ITEM	NAME OF PART	NO. OF PART	Q'TY	MATERIAL	NOTES
1	DG222-8-0 Housing1	1	1	PA66	UL94V-0
2	DG222-8-0 Housing2	1	1	PA66	UL94V-0

DETACHED LISTS		FINISH:		SCALE: 1:1	
ANGLE ± 1°	THIRD ANGLE PROJECTION	FINISH:	SCALE: 1:1	DD NOT SCALE DRAWING	SHEET 1

NAME	DRAWING NO.	REV	DATE	SIZE	REV	DATE
DEGSON	DG222-8.0-01P-1Y-00A(H)	T1	15/26/16	A4	T1	15/26/16

NO.	DESCRIPTION	QTY	MATERIAL	REMARKS
3	DG222-8-0 Cover	1	PA66	UL94V-0
4	DG222 Spring	1	stainless steel	
5	DG222 Current carrier	1	Copy	SLICE