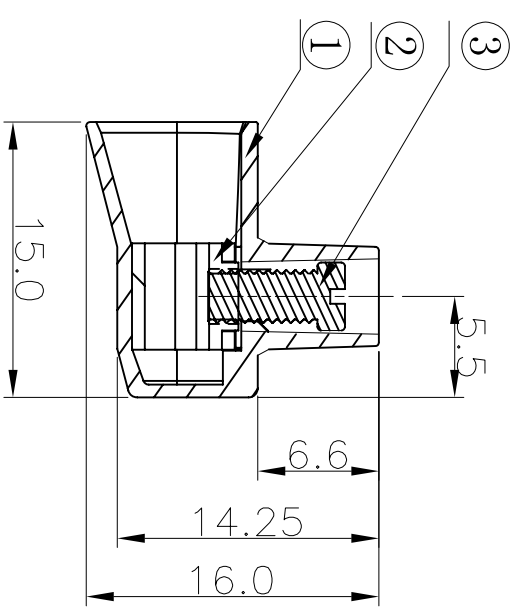
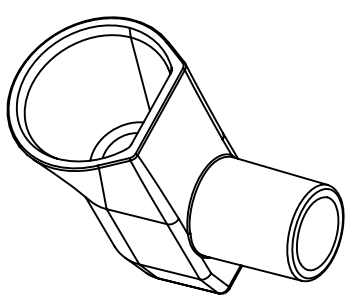
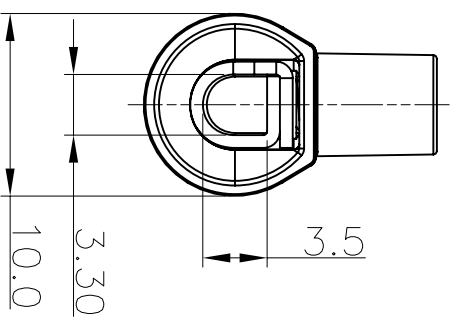
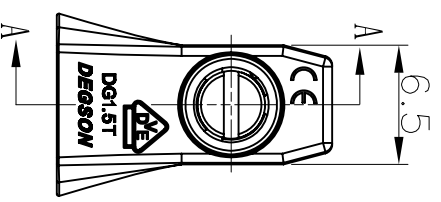
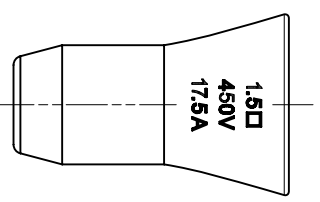


REVISION RECORD			
REV	EON	DESCRIPTION	DATE



Section A-A

- Notes:
1. Ploes: IP
  2. Rated voltage/Current: IEC 450V 17.5A
  3. Operation temperatures: -40°C ~ +85°C
  4. Withstanding Voltage: AC2500V/1Min
  5. Insulation Resistance: 5000MΩ/DC1000V
  6. Wire Range: 2x1.5mm<sup>2</sup>
  7. Max. Torque Value: M3.0, 5, 10Kgf. cm.



3	DG1.5T"-Screw	S000004140 (H)	1	Steel	C <sub>3</sub> <sup>3</sup> /zn
2	DG1.5T-Current carrier	X000003460 (H)	1	Steel	C <sub>3</sub> <sup>3</sup> /zn

1	DG1.5T-Housing	2040A0Y01A (H)	1	PC	UL94V-2	
ITEM		NAME OF PART	NO. OF PART	Q'TY	MATERIAL	NOTES
DETTACHED LISTS						
MM (INCH)	MM (INCH)	DFTO Apple	DATE	07/18/08*		
TOLERANCES EXCEPT AS NOTED	CHKD	MFO	DATE			
APPRVL	DATE					
0.30 ±0.25	30-50 ±0.3					NAME DG1.5T-01P-1Y-100A(H)
66-100 ±0.5	100-150 ±0.7					
over150 ±1.0						
ANGLES ± 1°		G.E :		DRAWING NO. DG1.5T-E02		
THIRD ANGLE PROJECTION		FINISH :		/PART NO.		
SCALE :		DO NOT SCALE DRAWING		SHEET 1		REV 10
						DATE 03/20/10

**DEGSON** 宁波高正电子有限公司  
DEGSON ELECTRONICS CO., LTD