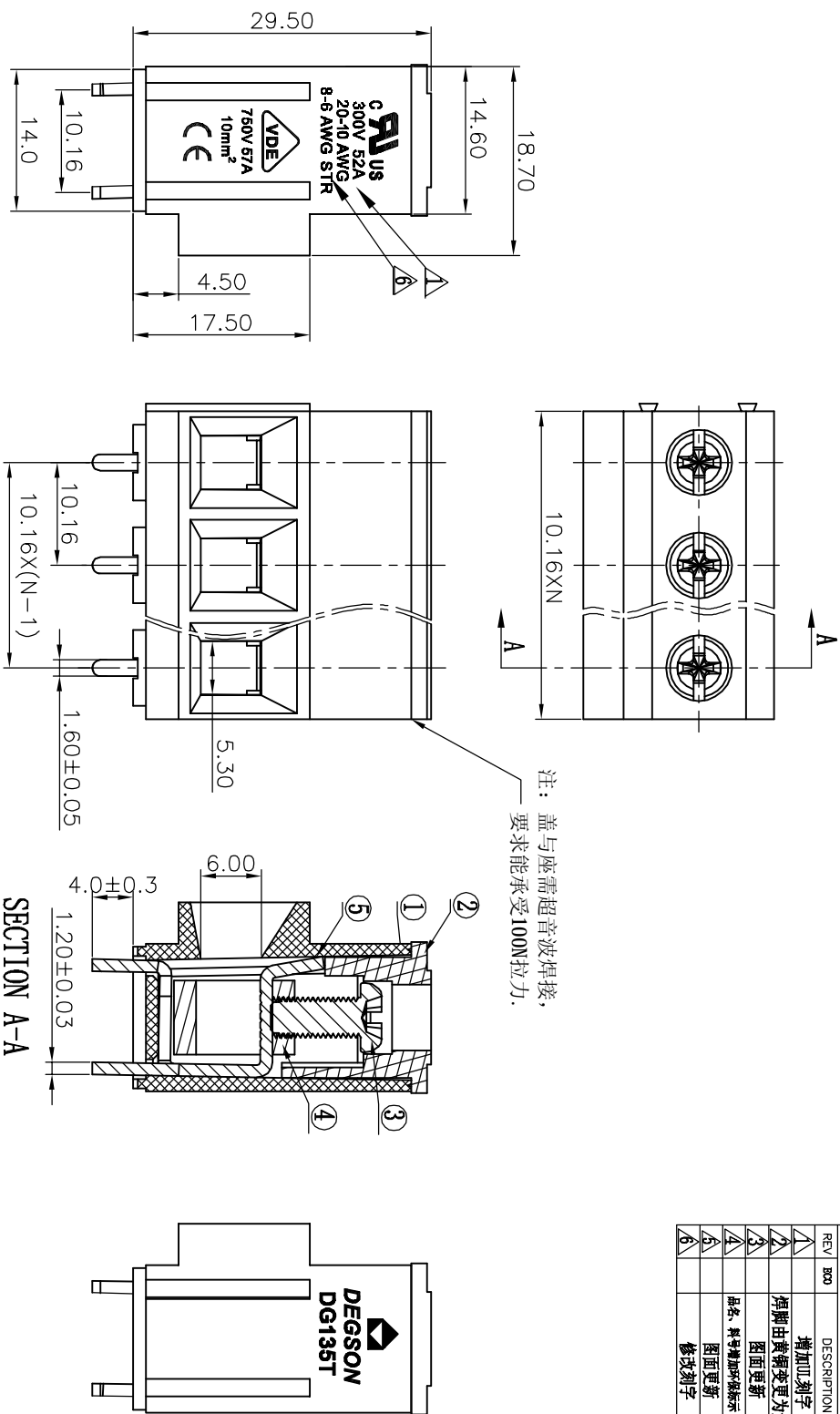


REV	B3D	DESCRIPTION	DATE
1		增加H1刻字	CSX 10/06/06*
2		焊脚由黄铜变更为紫铜	CSX 10/26/06*
3		图面更新	YcJ 06/11/07*
4		品名、料号增加环保标示 * (H)*	CSX 12/10/07*
5		图面更新	LJH 04/19/08*
6		修改刻字	HD 10/26/09*

注：盖与座需超音波焊接，要求能承受100N拉力。



Notes:

1. Pitch: 10.16mm, Poles: 2-XXP
2. Rated voltage/current: UL 300V/52A Δ VDE 750V/57A
3. Operation temperatures: -40°C ~ +105°C
4. Withstanding Voltage: AC2000V/1Min
5. Insulation Resistance: 5000M Ω /DC1000V
6. Wire Range: 20~6AWG, 10mm²
7. Max. Torque Value: M4, 12.24kgf.cm
8. Undimensioned Tolerances:

Pitch range in mm	Nominal dimension range in mm
6 to 10	over 30 to 60
10 to 24	over 60 to 100
	over 100 to 150
	over 150 to 200
	over 200 to 250
	over 250 to 300
	over 300 to 350
	over 350 to 400
	over 400 to 450
	over 450 to 500
	over 500 to 550
	over 550 to 600
	over 600 to 650
	over 650 to 700
	over 700 to 750
	over 750 to 800
	over 800 to 850
	over 850 to 900
	over 900 to 950
	over 950 to 1000
	over 1000 to 1050
	over 1050 to 1100
	over 1100 to 1150
	over 1150 to 1200
	over 1200 to 1250
	over 1250 to 1300
	over 1300 to 1350
	over 1350 to 1400
	over 1400 to 1450
	over 1450 to 1500
	over 1500 to 1550
	over 1550 to 1600
	over 1600 to 1650
	over 1650 to 1700
	over 1700 to 1750
	over 1750 to 1800
	over 1800 to 1850
	over 1850 to 1900
	over 1900 to 1950
	over 1950 to 2000
	over 2000 to 2050
	over 2050 to 2100
	over 2100 to 2150
	over 2150 to 2200
	over 2200 to 2250
	over 2250 to 2300
	over 2300 to 2350
	over 2350 to 2400
	over 2400 to 2450
	over 2450 to 2500
	over 2500 to 2550
	over 2550 to 2600
	over 2600 to 2650
	over 2650 to 2700
	over 2700 to 2750
	over 2750 to 2800
	over 2800 to 2850
	over 2850 to 2900
	over 2900 to 2950
	over 2950 to 3000
	over 3000 to 3050
	over 3050 to 3100
	over 3100 to 3150
	over 3150 to 3200
	over 3200 to 3250
	over 3250 to 3300
	over 3300 to 3350
	over 3350 to 3400
	over 3400 to 3450
	over 3450 to 3500
	over 3500 to 3550
	over 3550 to 3600
	over 3600 to 3650
	over 3650 to 3700
	over 3700 to 3750
	over 3750 to 3800
	over 3800 to 3850
	over 3850 to 3900
	over 3900 to 3950
	over 3950 to 4000
	over 4000 to 4050
	over 4050 to 4100
	over 4100 to 4150
	over 4150 to 4200
	over 4200 to 4250
	over 4250 to 4300
	over 4300 to 4350
	over 4350 to 4400
	over 4400 to 4450
	over 4450 to 4500
	over 4500 to 4550
	over 4550 to 4600
	over 4600 to 4650
	over 4650 to 4700
	over 4700 to 4750
	over 4750 to 4800
	over 4800 to 4850
	over 4850 to 4900
	over 4900 to 4950
	over 4950 to 5000
	over 5000 to 5050
	over 5050 to 5100
	over 5100 to 5150
	over 5150 to 5200
	over 5200 to 5250
	over 5250 to 5300
	over 5300 to 5350
	over 5350 to 5400
	over 5400 to 5450
	over 5450 to 5500
	over 5500 to 5550
	over 5550 to 5600
	over 5600 to 5650
	over 5650 to 5700
	over 5700 to 5750
	over 5750 to 5800
	over 5800 to 5850
	over 5850 to 5900
	over 5900 to 5950
	over 5950 to 6000
	over 6000 to 6050
	over 6050 to 6100
	over 6100 to 6150
	over 6150 to 6200
	over 6200 to 6250
	over 6250 to 6300
	over 6300 to 6350
	over 6350 to 6400
	over 6400 to 6450
	over 6450 to 6500
	over 6500 to 6550
	over 6550 to 6600
	over 6600 to 6650
	over 6650 to 6700
	over 6700 to 6750
	over 6750 to 6800
	over 6800 to 6850
	over 6850 to 6900
	over 6900 to 6950
	over 6950 to 7000
	over 7000 to 7050
	over 7050 to 7100
	over 7100 to 7150
	over 7150 to 7200
	over 7200 to 7250
	over 7250 to 7300
	over 7300 to 7350
	over 7350 to 7400
	over 7400 to 7450
	over 7450 to 7500
	over 7500 to 7550
	over 7550 to 7600
	over 7600 to 7650
	over 7650 to 7700
	over 7700 to 7750
	over 7750 to 7800
	over 7800 to 7850
	over 7850 to 7900
	over 7900 to 7950
	over 7950 to 8000
	over 8000 to 8050
	over 8050 to 8100
	over 8100 to 8150
	over 8150 to 8200
	over 8200 to 8250
	over 8250 to 8300
	over 8300 to 8350
	over 8350 to 8400
	over 8400 to 8450
	over 8450 to 8500
	over 8500 to 8550
	over 8550 to 8600
	over 8600 to 8650
	over 8650 to 8700
	over 8700 to 8750
	over 8750 to 8800
	over 8800 to 8850
	over 8850 to 8900
	over 8900 to 8950
	over 8950 to 9000
	over 9000 to 9050
	over 9050 to 9100
	over 9100 to 9150
	over 9150 to 9200
	over 9200 to 9250
	over 9250 to 9300
	over 9300 to 9350
	over 9350 to 9400
	over 9400 to 9450
	over 9450 to 9500
	over 9500 to 9550
	over 9550 to 9600
	over 9600 to 9650
	over 9650 to 9700
	over 9700 to 9750
	over 9750 to 9800
	over 9800 to 9850
	over 9850 to 9900
	over 9900 to 9950
	over 9950 to 10000

SECTION A-A

ITEM	NAME OF PART	NO. OF PART	Q'TY	MATERIAL	NOTES
1	DG135T-10.16-00A Housing	1	1	PBT	UL94V-0
2	DG135T-10.16-00A Cover	1	1	PBT	UL94V-0
3	DG135T- Screw	1	1	Steel	C ³ Zn
4	DG135T- Cage	1	1	Brass	Ni Plated
5	DG135T- Pin header	1	1	Pure copper	SnCe

DEGSON 宇波电子有限公司
DEGSON ELECTRONICS CO., LTD

NAME: DG135T-10.16-XXP-1Y-00A (H)

DRAWING NO.: DG135T-10.16-B01

SIZE: A3

REV: 16/02/06

SCALE: 1:1

DO NOT SCALE DRAWING

SHEET 1 OF 1