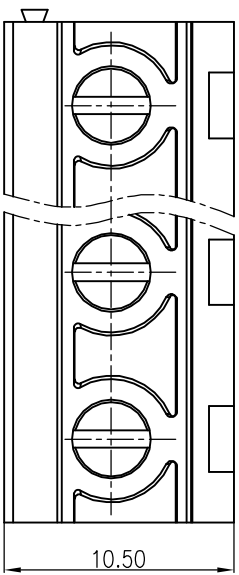
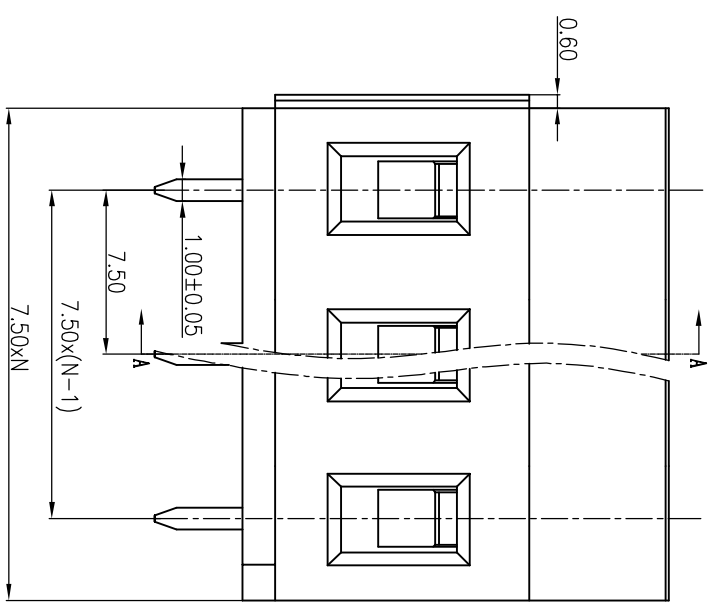
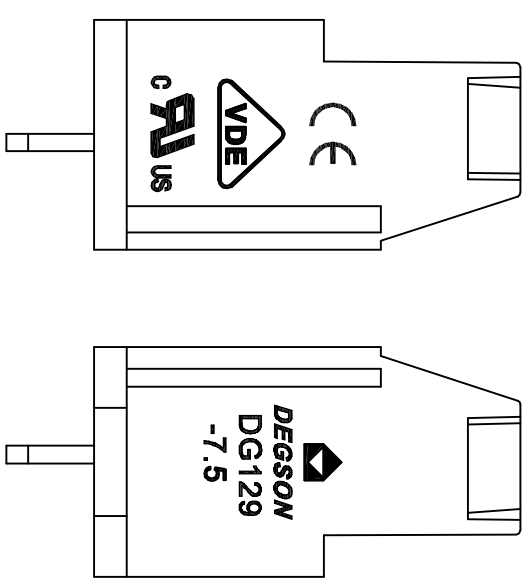
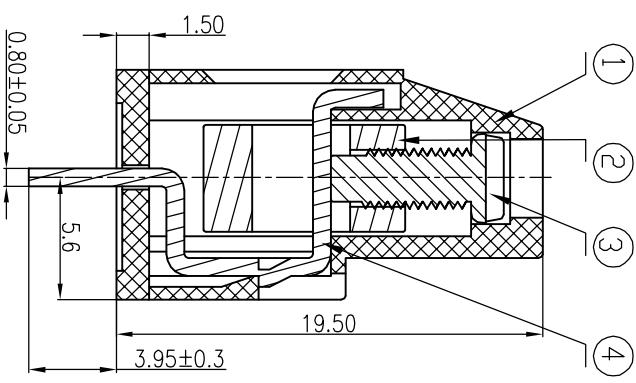


REVISION RECORD			
REV	ECO	DESCRIPTION	DATE



- Notes:
1. Pitch: 7.5mm Poles: 2P~XYP
 2. Rated Voltage Current: UL 300V 20A VDE 450V 20A
 3. Operation temperatures: -40°C~+105°C
 4. Withstanding Voltage: AC2000V/1Min
 5. Insulation Resistance: 5000M Ω /DC1000V
 6. Wire Range: 26~12AWG, 2.5mm²
 7. Max. Torque Value: M3, 5.1kgf.cm
 8. Undimensioned Tolerances:

Pitch range in mm	Nominal dimension range in mm	
	over	over
6 to 10	10 to 24	30 to 60
10 to 15	24 to 30	60 to 100
15 to 20	30 to 36	100 to 150
20 to 25	36 to 42	150 to 200
25 to 30	42 to 48	200 to 250
30 to 36	48 to 54	250 to 300
36 to 42	54 to 60	300 to 350
42 to 48	60 to 66	350 to 400
48 to 54	66 to 72	400 to 450
54 to 60	72 to 78	450 to 500
60 to 66	78 to 84	500 to 550
66 to 72	84 to 90	550 to 600
72 to 78	90 to 96	600 to 650
78 to 84	96 to 102	650 to 700
84 to 90	102 to 108	700 to 750
90 to 96	108 to 114	750 to 800
96 to 102	114 to 120	800 to 850
102 to 108	120 to 126	850 to 900
108 to 114	126 to 132	900 to 950
114 to 120	132 to 138	950 to 1000
120 to 126	138 to 144	1000 to 1050
126 to 132	144 to 150	1050 to 1100
132 to 138	150 to 156	1100 to 1150
138 to 144	156 to 162	1150 to 1200
144 to 150	162 to 168	1200 to 1250
150 to 156	168 to 174	1250 to 1300
156 to 162	174 to 180	1300 to 1350
162 to 168	180 to 186	1350 to 1400
168 to 174	186 to 192	1400 to 1450
174 to 180	192 to 198	1450 to 1500
180 to 186	198 to 204	1500 to 1550
186 to 192	204 to 210	1550 to 1600
192 to 198	210 to 216	1600 to 1650
198 to 204	216 to 222	1650 to 1700
204 to 210	222 to 228	1700 to 1750
210 to 216	228 to 234	1750 to 1800
216 to 222	234 to 240	1800 to 1850
222 to 228	240 to 246	1850 to 1900
228 to 234	246 to 252	1900 to 1950
234 to 240	252 to 258	1950 to 2000
240 to 246	258 to 264	2000 to 2050
246 to 252	264 to 270	2050 to 2100
252 to 258	270 to 276	2100 to 2150
258 to 264	276 to 282	2150 to 2200
264 to 270	282 to 288	2200 to 2250
270 to 276	288 to 294	2250 to 2300
276 to 282	294 to 300	2300 to 2350
282 to 288	300 to 306	2350 to 2400
288 to 294	306 to 312	2400 to 2450
294 to 300	312 to 318	2450 to 2500
300 to 306	318 to 324	2500 to 2550
306 to 312	324 to 330	2550 to 2600
312 to 318	330 to 336	2600 to 2650
318 to 324	336 to 342	2650 to 2700
324 to 330	342 to 348	2700 to 2750
330 to 336	348 to 354	2750 to 2800
336 to 342	354 to 360	2800 to 2850
342 to 348	360 to 366	2850 to 2900
348 to 354	366 to 372	2900 to 2950
354 to 360	372 to 378	2950 to 3000
360 to 366	378 to 384	3000 to 3050
366 to 372	384 to 390	3050 to 3100
372 to 378	390 to 396	3100 to 3150
378 to 384	396 to 402	3150 to 3200
384 to 390	402 to 408	3200 to 3250
390 to 396	408 to 414	3250 to 3300
396 to 402	414 to 420	3300 to 3350
402 to 408	420 to 426	3350 to 3400
408 to 414	426 to 432	3400 to 3450
414 to 420	432 to 438	3450 to 3500
420 to 426	438 to 444	3500 to 3550
426 to 432	444 to 450	3550 to 3600
432 to 438	450 to 456	3600 to 3650
438 to 444	456 to 462	3650 to 3700
444 to 450	462 to 468	3700 to 3750
450 to 456	468 to 474	3750 to 3800
456 to 462	474 to 480	3800 to 3850
462 to 468	480 to 486	3850 to 3900
468 to 474	486 to 492	3900 to 3950
474 to 480	492 to 498	3950 to 4000
480 to 486	498 to 504	4000 to 4050
486 to 492	504 to 510	4050 to 4100
492 to 498	510 to 516	4100 to 4150
498 to 504	516 to 522	4150 to 4200
504 to 510	522 to 528	4200 to 4250
510 to 516	528 to 534	4250 to 4300
516 to 522	534 to 540	4300 to 4350
522 to 528	540 to 546	4350 to 4400
528 to 534	546 to 552	4400 to 4450
534 to 540	552 to 558	4450 to 4500
540 to 546	558 to 564	4500 to 4550
546 to 552	564 to 570	4550 to 4600
552 to 558	570 to 576	4600 to 4650
558 to 564	576 to 582	4650 to 4700
564 to 570	582 to 588	4700 to 4750
570 to 576	588 to 594	4750 to 4800
576 to 582	594 to 600	4800 to 4850
582 to 588	600 to 606	4850 to 4900
588 to 594	606 to 612	4900 to 4950
594 to 600	612 to 618	4950 to 5000
600 to 606	618 to 624	5000 to 5050
606 to 612	624 to 630	5050 to 5100
612 to 618	630 to 636	5100 to 5150
618 to 624	636 to 642	5150 to 5200
624 to 630	642 to 648	5200 to 5250
630 to 636	648 to 654	5250 to 5300
636 to 642	654 to 660	5300 to 5350
642 to 648	660 to 666	5350 to 5400
648 to 654	666 to 672	5400 to 5450
654 to 660	672 to 678	5450 to 5500
660 to 666	678 to 684	5500 to 5550
666 to 672	684 to 690	5550 to 5600
672 to 678	690 to 696	5600 to 5650
678 to 684	696 to 702	5650 to 5700
684 to 690	702 to 708	5700 to 5750
690 to 696	708 to 714	5750 to 5800
696 to 702	714 to 720	5800 to 5850
702 to 708	720 to 726	5850 to 5900
708 to 714	726 to 732	5900 to 5950
714 to 720	732 to 738	5950 to 6000
720 to 726	738 to 744	6000 to 6050
726 to 732	744 to 750	6050 to 6100
732 to 738	750 to 756	6100 to 6150
738 to 744	756 to 762	6150 to 6200
744 to 750	762 to 768	6200 to 6250
750 to 756	768 to 774	6250 to 6300
756 to 762	774 to 780	6300 to 6350
762 to 768	780 to 786	6350 to 6400
768 to 774	786 to 792	6400 to 6450
774 to 780	792 to 798	6450 to 6500
780 to 786	798 to 804	6500 to 6550
786 to 792	804 to 810	6550 to 6600
792 to 798	810 to 816	6600 to 6650
798 to 804	816 to 822	6650 to 6700
804 to 810	822 to 828	6700 to 6750
810 to 816	828 to 834	6750 to 6800
816 to 822	834 to 840	6800 to 6850
822 to 828	840 to 846	6850 to 6900
828 to 834	846 to 852	6900 to 6950
834 to 840	852 to 858	6950 to 7000
840 to 846	858 to 864	7000 to 7050
846 to 852	864 to 870	7050 to 7100
852 to 858	870 to 876	7100 to 7150
858 to 864	876 to 882	7150 to 7200
864 to 870	882 to 888	7200 to 7250
870 to 876	888 to 894	7250 to 7300
876 to 882	894 to 900	7300 to 7350
882 to 888	900 to 906	7350 to 7400
888 to 894	906 to 912	7400 to 7450
894 to 900	912 to 918	7450 to 7500
900 to 906	918 to 924	7500 to 7550
906 to 912	924 to 930	7550 to 7600
912 to 918	930 to 936	7600 to 7650
918 to 924	936 to 942	7650 to 7700
924 to 930	942 to 948	7700 to 7750
930 to 936	948 to 954	7750 to 7800
936 to 942	954 to 960	7800 to 7850
942 to 948	960 to 966	7850 to 7900
948 to 954	966 to 972	7900 to 7950
954 to 960	972 to 978	7950 to 8000
960 to 966	978 to 984	8000 to 8050
966 to 972	984 to 990	8050 to 8100
972 to 978	990 to 996	8100 to 8150
978 to 984	996 to 1000	8150 to 8200



SECTION A-A

ITEM	NO. OF PART	QTY	MATERIAL	NOTES
1	DG129-7.5-XYP-1Y-00A 主体	4110A0YXXA(H)	1	PA66 UL94V-0
2	DG129-Pin header	4029B00010(H)	XX	Battrss
3	DG129-Screws-M3	S000001430(H)	XX	Steel
4	DG129-Cage	X000000200(H)	XX	Brass Ni plated

DEGSON		DEGSON ELECTRONICS CO., LTD	
NAME	DG129-7.5-XYP-1Y-00A(H)	DRAWING NO.	DG129-7.5-E01
DATE	08/08/08	SIZE	A4
DATE	08/08/08	REV	10
DATE	08/08/08	REV	10
DATE	08/08/08	REV	10