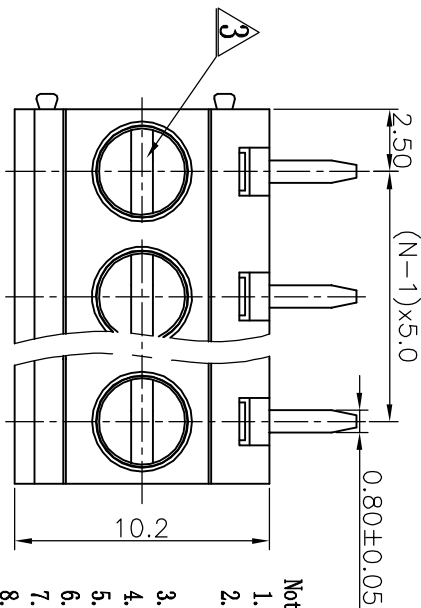


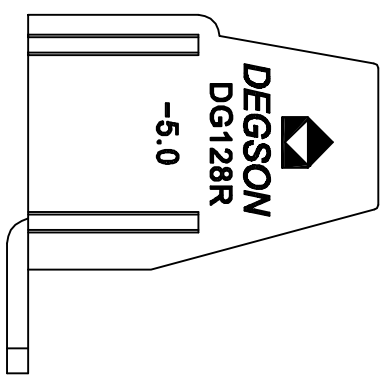
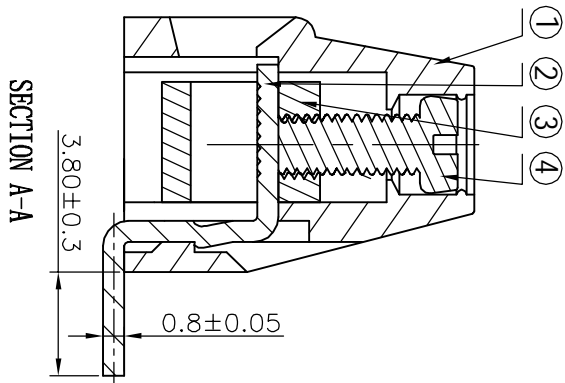
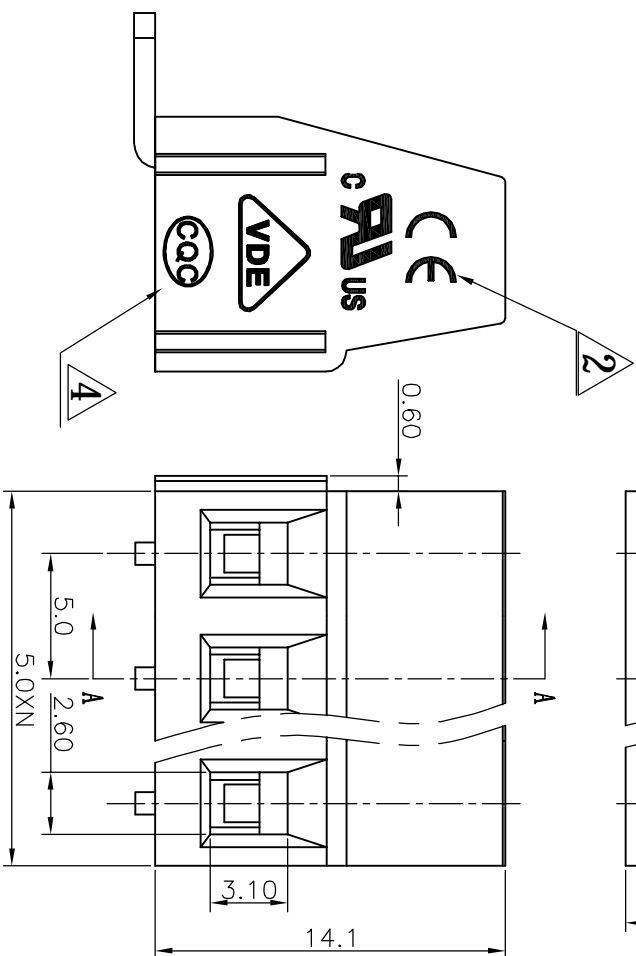
REVISION RECORD

REV	EQN	DESCRIPTION	DFT	DATE
1		Drawing Revise	W/F	07/07/07
2		增加VDE, CE标志	LJH	11/12/07
3		图面更新	LJH	04/09/08
4		增加CQC标志	Ygj	02/10/09
5		IEC标准由00变更为15A	lasting	09/06/10



- Notes:
- Pitch: 5.0mm, Poles: 2-XXP
 - Rated voltage/current: UL 300V/15A, VDE 250V/18A
 - Operation temperatures: -40°C~+105°C
 - Withstanding Voltage: AC2000V/1Min
 - Insulation Resistance: 500MΩ/DC1000V
 - Wire Range: 12~24AWG, 2.5mm²
 - Max. Torque Value: M2: 5, 4, 0.8kgf.cm
 - Undimensioned Tolerances:

Pitch range in mm	Normal dimension range in mm	Symbol
over 6 to 10	over 30 to 60	⌒
over 10 to 24	over 60 to 100	⌒
over 10 to 15	over 100 to 150	□
over 10 to 15	over 150 to 200	□



1	DC128-5.0 Housing	409640YXXA (H)	1	PA66	UL94V-0
ITEM NAME OF PART		NO. OF PART	Q'TY	MATERIAL	NOTES
DETACHED LISTS					
UNIT (MM)		DATE 04/03/06			
TOLERANCES EXCEPT AS NOTED		DATE			
MM	0 ±	±	DATE		
MM	0.0 ±	±	DATE		
MM	0.00 ±	±	DATE		
ANGLES ± 1°		MATERIAL:			
THIRD ANGLE PROJECTION		G.E.:			
		FINISH:			
		SCALE: 1:1			
		NAME			
		DRAWING NO. DG128R-5.0-E04			
		/PART NO.			
		DO NOT SCALE DRAWING			
		SHEET 1 OF 1			

4	128"-Screws	S000001460 (H)	XX	Steel	Cr ³⁺ Zn
3	128-Cage	X000000020 (H)	XX	Brass	Ni plated
2	128R-Pin header	4027B00030 (H)	XX	Brass	SnCe

8 7 6 5 4 3 2 1