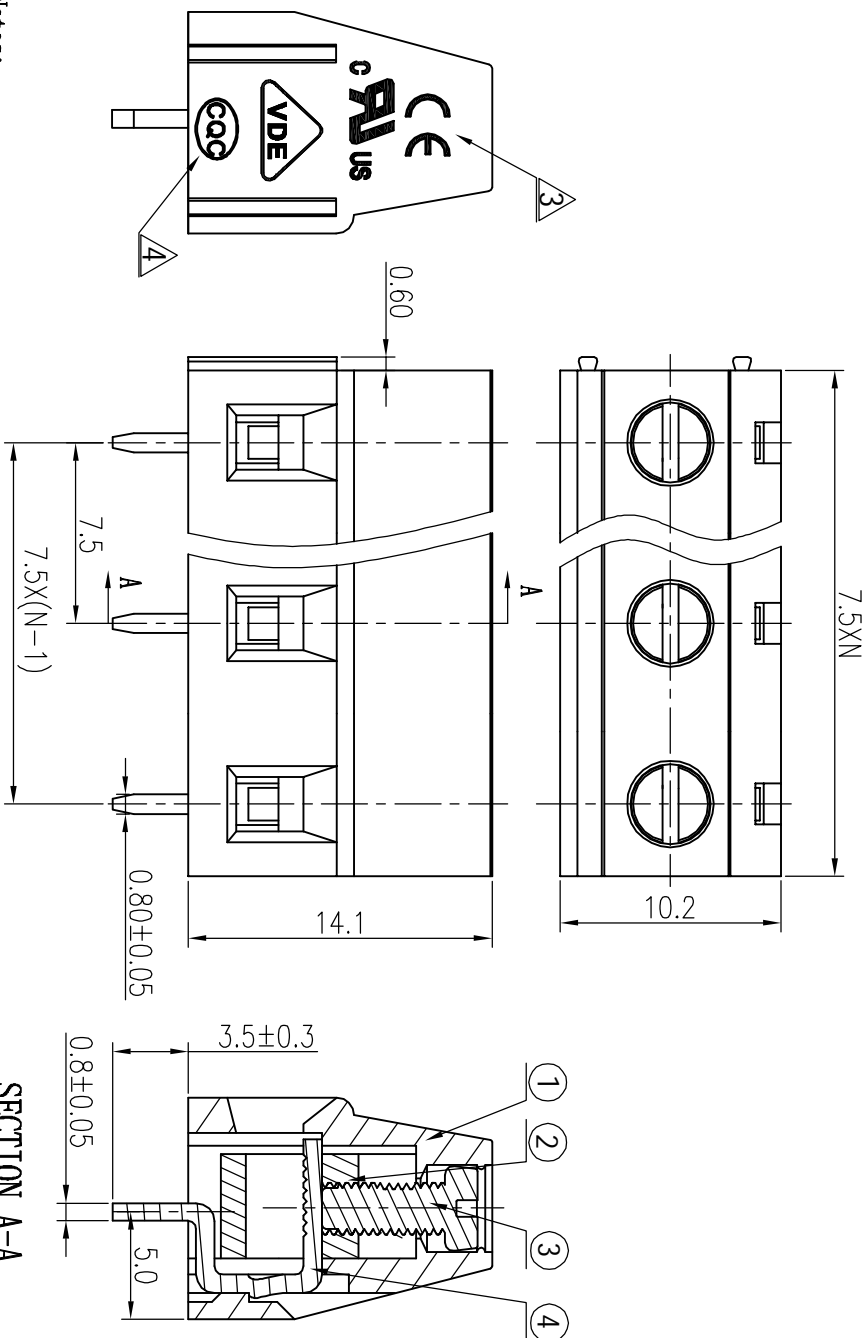


REV	BSN	DESCRIPTION	DATE	DATE
Δ		Drawing Revise	HaoXh	02/23/06
Δ		增加VDE、CE标志	CSX	12/06/07
Δ		增加VDE参数	LJH	01/12/08
Δ		增加CCC字样	WLM	02/10/09
Δ	10-0246	UL电源由10A变更为15A	Lasting	08/05/10

REVISION RECORD				
REV	BSN	DESCRIPTION	DATE	DATE
Δ		Drawing Revise	HaoXh	02/23/06
Δ		增加VDE、CE标志	CSX	12/06/07
Δ		增加VDE参数	LJH	01/12/08
Δ		增加CCC字样	WLM	02/10/09
Δ	10-0246	UL电源由10A变更为15A	Lasting	08/05/10



- Notes:
1. Pitch: 7.5mm, Poles: 2-XXP
  2. Rated voltage/current: UL 300V/15A Δ VDE 450V/18A
  3. Operation temperatures: -40°C ~ +105°C
  4. Withstanding Voltage: AC2000V/1min
  5. Insulation Resistance: 5000MΩ/DC1000V
  6. Wire Range: 24-12AWG, 2.5mm<sup>2</sup>
  7. Max. Torque Value: M2.5, 4.08kgf.cm
  8. Undimensioned Tolerances:

Pitch range in mm	over	to	over	to	over	to	over	to	over	to
6 to 10	6	10	10	24	30	60	100	150	150	150
10 to 15	10	15	24	30	60	100	150	150	150	150

4	DG128 pin Header	4027B00010(H)	XX	Brass	SnCe
3	DG128 7.5 screw	S000001460(H)	XX	Steel	C <sup>2</sup> Zn
2	DG128 Gage	X00000020(H)	XX	Brass	Ni plated

1	ITEM	NAME OF PART	NO. OF PART	Q'TY	MATERIAL	NOTES
1		DG128-7.5-Housing	4026A0YXXA(H)	1	PAG6	UL94V-0

DEGSON 宇波电子电子有限公司 DEGSON ELECTRONICS CO., LTD		NAME DG128-7.5-XXP-1Y-00A(H)	
DRAWING NO. DG128-7.5-302		SIZE REV A3 IS 08/05/07	
DO NOT SCALE DRAWING		SHEET 1 OF 1	

8 7 6 5 4 3 2 1