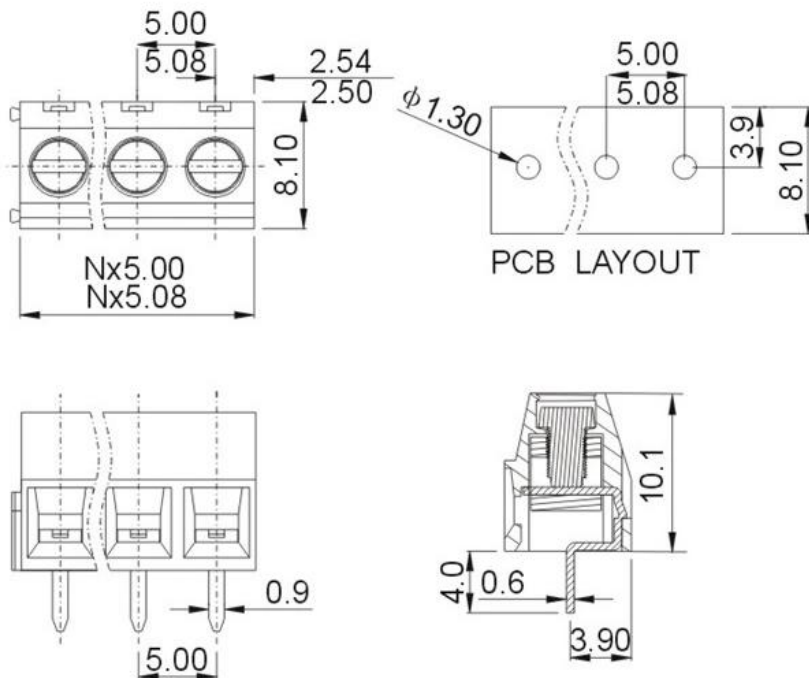


**DG127-5.0**  
**DG127-5.08**



### APPROVAL

#### Electrical

Standard

Rated voltage

Rated current

Wire range

Withstanding voltage



UL

300V

12A

26-14AWG

AC2000V/1Min

IEC

250V

15A

1.5mm<sup>2</sup>

### Menchanical

Torque

Ambient temperature

Strip length

#### Dimensions

pitch

Poles

0.4Nm(3.5Lb-In)

-40 ~+105

6mm

5.0mm(.197" ) 5.08mm(.200" )

2P,3P-24P

### Material

Housing

Screws

Pin header

Cage

PA66,UL94V-0

M2.5,Steel, Cr<sup>3+</sup>Znplated

Brass,Tin-plated

Brass,Ni-plated

### HOW TO ORDER :

-  P -   - 

X	X	X
Customer Request		

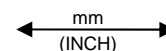
Series number

No. of pole

1	Single pitch
2	Double pitch

#### Color

1	Grey	4	Green	7	Trans Parent
2	Blue	5	Orange	8	Yellow
3	Black	6	Red	9	White



DEGSON ELECTRONICS CO., LTD.

NAME

**DG127-5.0 DG127-5.08**