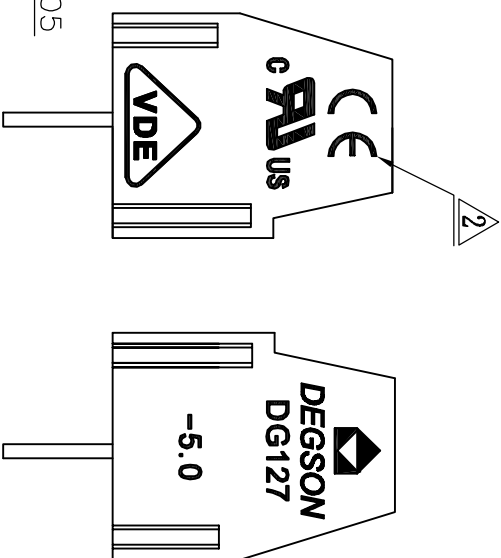
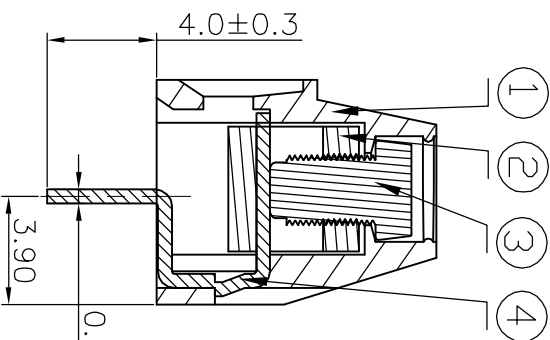
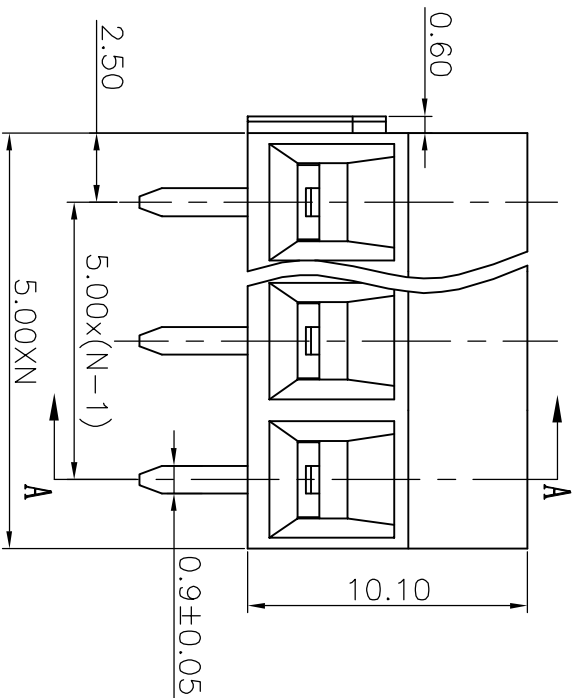


- Notes:
1. pitch: 5.00mm
 2. Rated voltage/current: UL 300V/12A VDE 250V/15A
 3. Insulation resistance: 5000MΩ/DC1000V
 4. Withstanding voltage: AC2000V/1Min
 5. Wire range: 26~14AWG 1.5mm²
 6. Temp. Range: -40° C~+105° C
 7. Torque: M2.5 4.08kgf.cm
 8. Undimensioned Tolerances:

Pitch range in mm	Nominal dimension range in mm
over 6 to 10	over 30 to 60
over 10 to 24	over 60 to 100
over 24 to 30	over 100 to 150
over 30 to 60	over 150 to 300
over 60 to 100	over 300 to 600
over 100 to 150	over 600 to 1000



SECTION A-A

1	DG127-5.0 Housing	4028A0YXXA(H)	1	PA66	UL94V-0
ITEM	NAME OF PART	NO. OF PART	Q'TY	MATERIAL	NOTES
4	DG127 Pin	4028B00010(H)	XX	Brass	SnCe
3	DG127 Screws	S0000001450(H)	XX	Steel	Cr ³⁺ Zn
2	DG127 Gage	X000000170(H)	XX	Brass	Ni plated

DATE	DATE	DATE	DATE
DATE	DATE	DATE	DATE

NAME	DEGSOON
DEGSOON	DEGSOON ELECTRONICS CO., LTD
NAME	DG127-5.0-XXP-1Y-00A(H)
DRAWING NO.	DG127-5.0-E05
/PART	NL
DD NOT SCALE DRAWING	SHEET 1
SIZE	REV
A3	T3
of 1	01/03/08

REV	EQD	DESCRIPTION	DW'T	DATE
Δ		Drawing Revise	Haoyh	06/27/06
Δ		增加VDE、CE标志	LJH	11/15/07
Δ		增加VDE参数	LJH	01/03/08

REVISION RECORD