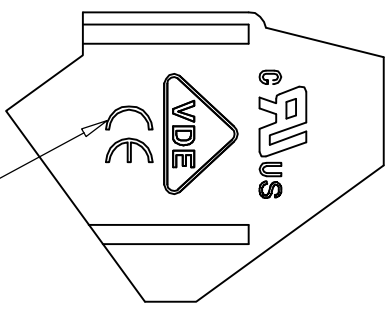
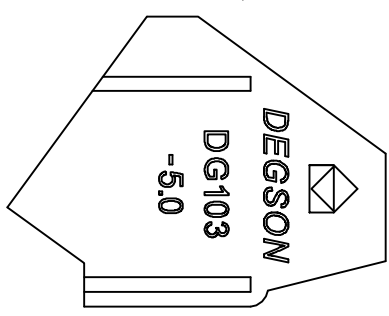
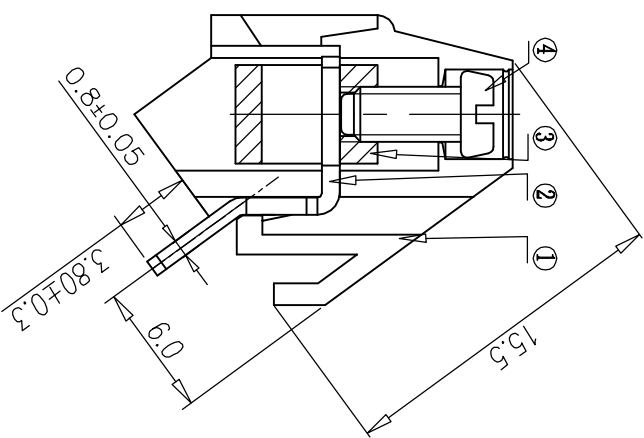


- Notes:
1. Pitch: 5.0mm
  2. Rated voltage/current: UL 300V/10A  
VDE 250V/24A
  3. Insulation resistance: 5000MΩ/DC1000V
  4. Withstanding voltage: AC2000V/1min  
24-12AWG 2.5mm<sup>2</sup>
  5. Wire range: -40° C~+105° C
  6. Temp, Range: 4.08kgf.cm
  7. Torque:
  8. Undimensioned Tolerances:



Pitch range in mm	Nominal dimension range in mm
over 6	over 30
to 10	to 60
to 15	to 100
to 20	to 150
to 25	to 200
to 30	to 250
to 35	to 300
to 40	to 350
to 45	to 400
to 50	to 450
to 55	to 500
to 60	to 550
to 65	to 600
to 70	to 650
to 75	to 700
to 80	to 750
to 85	to 800
to 90	to 850
to 95	to 900
to 100	to 950
to 105	to 1000
to 110	to 1050
to 115	to 1100
to 120	to 1150
to 125	to 1200
to 130	to 1250
to 135	to 1300
to 140	to 1350
to 145	to 1400
to 150	to 1450
to 155	to 1500
to 160	to 1550
to 165	to 1600
to 170	to 1650
to 175	to 1700
to 180	to 1750
to 185	to 1800
to 190	to 1850
to 195	to 1900
to 200	to 1950
to 205	to 2000
to 210	to 2050
to 215	to 2100
to 220	to 2150
to 225	to 2200
to 230	to 2250
to 235	to 2300
to 240	to 2350
to 245	to 2400
to 250	to 2450
to 255	to 2500
to 260	to 2550
to 265	to 2600
to 270	to 2650
to 275	to 2700
to 280	to 2750
to 285	to 2800
to 290	to 2850
to 295	to 2900
to 300	to 2950
to 305	to 3000
to 310	to 3050
to 315	to 3100
to 320	to 3150
to 325	to 3200
to 330	to 3250
to 335	to 3300
to 340	to 3350
to 345	to 3400
to 350	to 3450
to 355	to 3500
to 360	to 3550
to 365	to 3600
to 370	to 3650
to 375	to 3700
to 380	to 3750
to 385	to 3800
to 390	to 3850
to 395	to 3900
to 400	to 3950
to 405	to 4000
to 410	to 4050
to 415	to 4100
to 420	to 4150
to 425	to 4200
to 430	to 4250
to 435	to 4300
to 440	to 4350
to 445	to 4400
to 450	to 4450
to 455	to 4500
to 460	to 4550
to 465	to 4600
to 470	to 4650
to 475	to 4700
to 480	to 4750
to 485	to 4800
to 490	to 4850
to 495	to 4900
to 500	to 4950
to 505	to 5000
to 510	to 5050
to 515	to 5100
to 520	to 5150
to 525	to 5200
to 530	to 5250
to 535	to 5300
to 540	to 5350
to 545	to 5400
to 550	to 5450
to 555	to 5500
to 560	to 5550
to 565	to 5600
to 570	to 5650
to 575	to 5700
to 580	to 5750
to 585	to 5800
to 590	to 5850
to 595	to 5900
to 600	to 5950
to 605	to 6000
to 610	to 6050
to 615	to 6100
to 620	to 6150
to 625	to 6200
to 630	to 6250
to 635	to 6300
to 640	to 6350
to 645	to 6400
to 650	to 6450
to 655	to 6500
to 660	to 6550
to 665	to 6600
to 670	to 6650
to 675	to 6700
to 680	to 6750
to 685	to 6800
to 690	to 6850
to 695	to 6900
to 700	to 6950
to 705	to 7000
to 710	to 7050
to 715	to 7100
to 720	to 7150
to 725	to 7200
to 730	to 7250
to 735	to 7300
to 740	to 7350
to 745	to 7400
to 750	to 7450
to 755	to 7500
to 760	to 7550
to 765	to 7600
to 770	to 7650
to 775	to 7700
to 780	to 7750
to 785	to 7800
to 790	to 7850
to 795	to 7900
to 800	to 7950
to 805	to 8000
to 810	to 8050
to 815	to 8100
to 820	to 8150
to 825	to 8200
to 830	to 8250
to 835	to 8300
to 840	to 8350
to 845	to 8400
to 850	to 8450
to 855	to 8500
to 860	to 8550
to 865	to 8600
to 870	to 8650
to 875	to 8700
to 880	to 8750
to 885	to 8800
to 890	to 8850
to 895	to 8900
to 900	to 8950
to 905	to 9000
to 910	to 9050
to 915	to 9100
to 920	to 9150
to 925	to 9200
to 930	to 9250
to 935	to 9300
to 940	to 9350
to 945	to 9400
to 950	to 9450
to 955	to 9500
to 960	to 9550
to 965	to 9600
to 970	to 9650
to 975	to 9700
to 980	to 9750
to 985	to 9800
to 990	to 9850
to 995	to 9900
to 1000	to 9950

REV	ECO	DESCRIPTION	DRFT	DATE
Δ		Drawing Revise	Haoyi	03/20/06
Δ		增加VDE、CE标志	LJH	11/14/07
Δ		增加VDE参数	LJH	01/03/08

SECTION A-A

ITEM	DESCRIPTION	UNIT	QTY	MATERIAL	NOTES
1	DEGSON DG103 -5.0 Housing	4025A01XXXA(H)	1	PA66	UL94V-0
2	DEGSON DG103 Pin	4025B00010(H)			
3	DEGSON DG128 Cage	X000000020(H)		Brass	
4	DEGSON DG128 "Screw"	S000001460(H)		Steel	C <sup>3+</sup> Zn

DETO	HQ/PH	DATE	DATE
CHKD		03/20/06	
MFO			
APPL			

NAME: DEGSON 宁波德正电子有限公司  
DEGSON® DEGSON ELECTRONICS CO., LTD

NAME: DG103-5.0-XXP-1Y-00A(H)

DRAWING NO. DG103-5.0-E07

DO NOT SCALE DRAWING