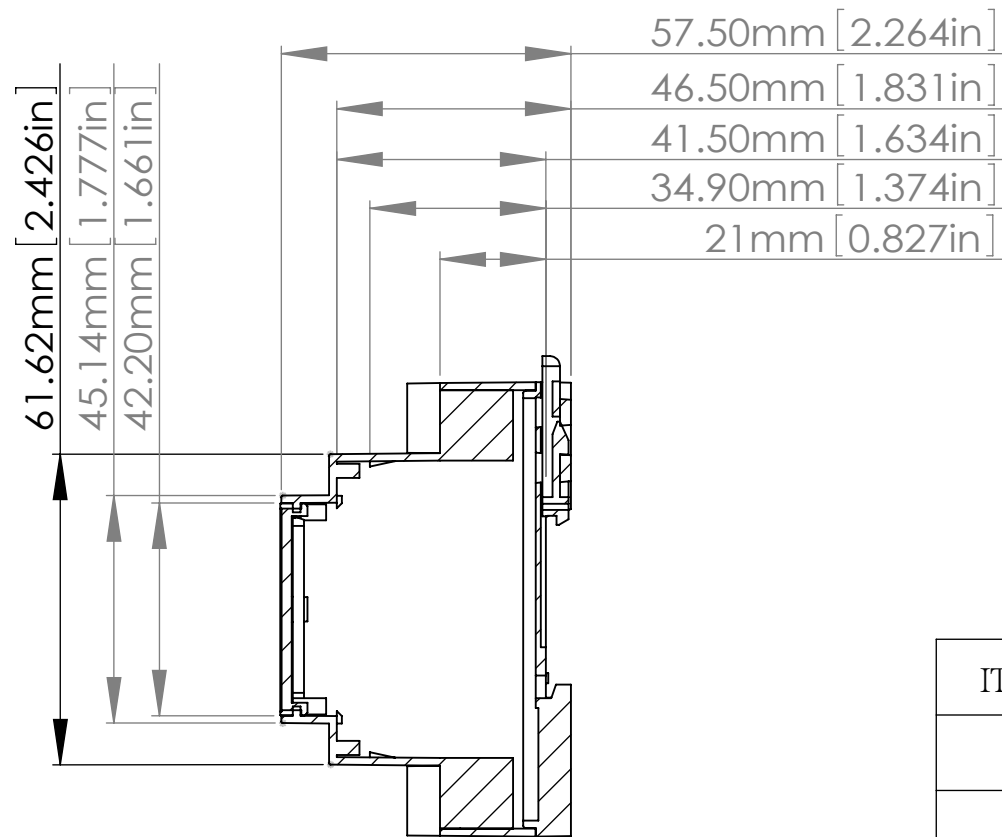
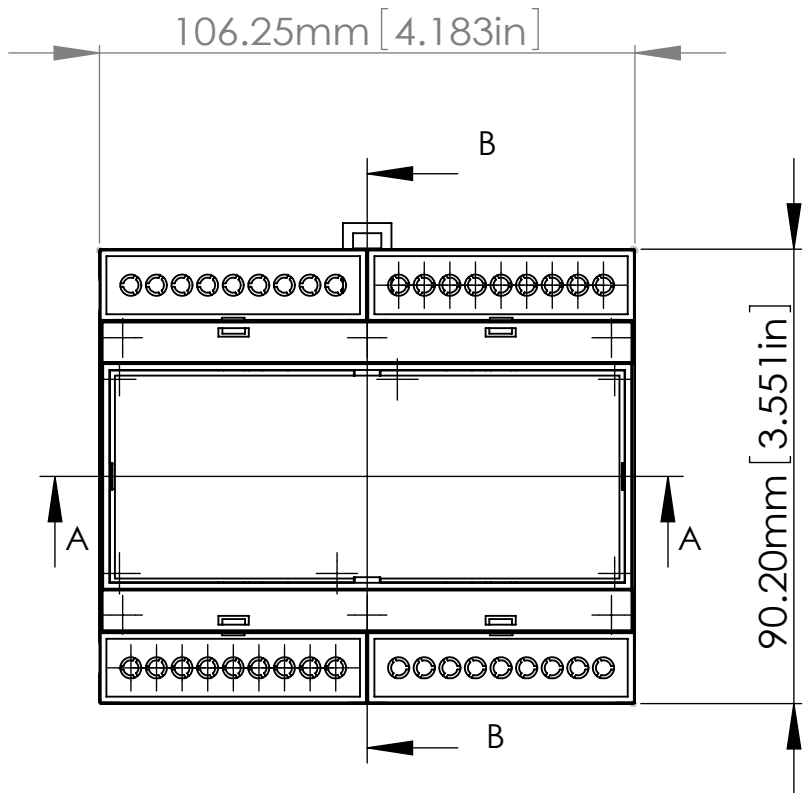
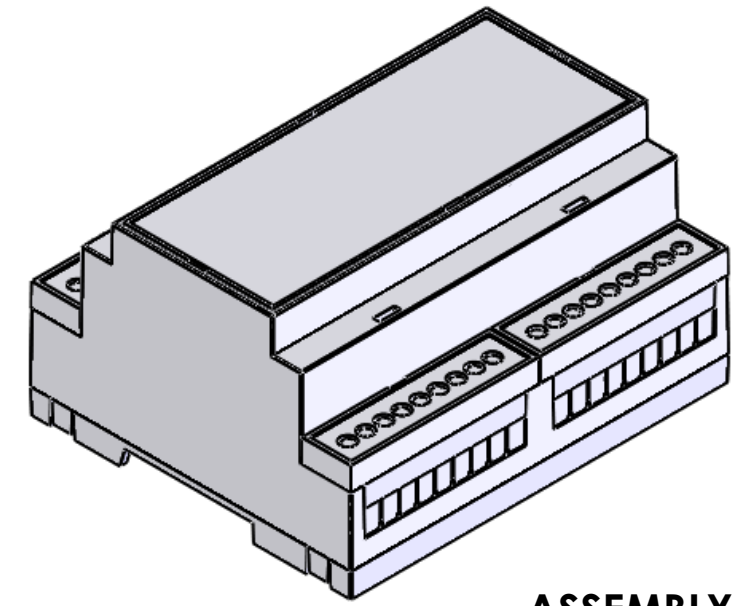


SECTION A-A
SCALE 2 : 3



SECTION B-B
SCALE 2 : 3



ASSEMBLY

ITEM	DESCRIPTION	MATERIAL	COLOUR	UNIT
1	D6MG-BODY	PC/ABS(UL94-V0)	GREY	1
2	D6MG-BASE	PC/ABS(UL94-V0)	GREY	1
3	D6MG-COVER	PC/ABS(UL94-V0)	GREY	1
4	D6MG-GUARD	PC/ABS(UL94-V0)	GREY	4
5	D6MG-WALL CLIP	NYLON66(UL94-V0)	DARK GREY	1

宣又實業有限公司
GAINTA INDUSTRIES LTD.

繪圖

DRA'D BY
JACKY

日期

2010/4/15

DATE

材質

PC/ABS(UL94-V0);
NYLON66(UL94-V0)

MATE.

圖名TITLE:

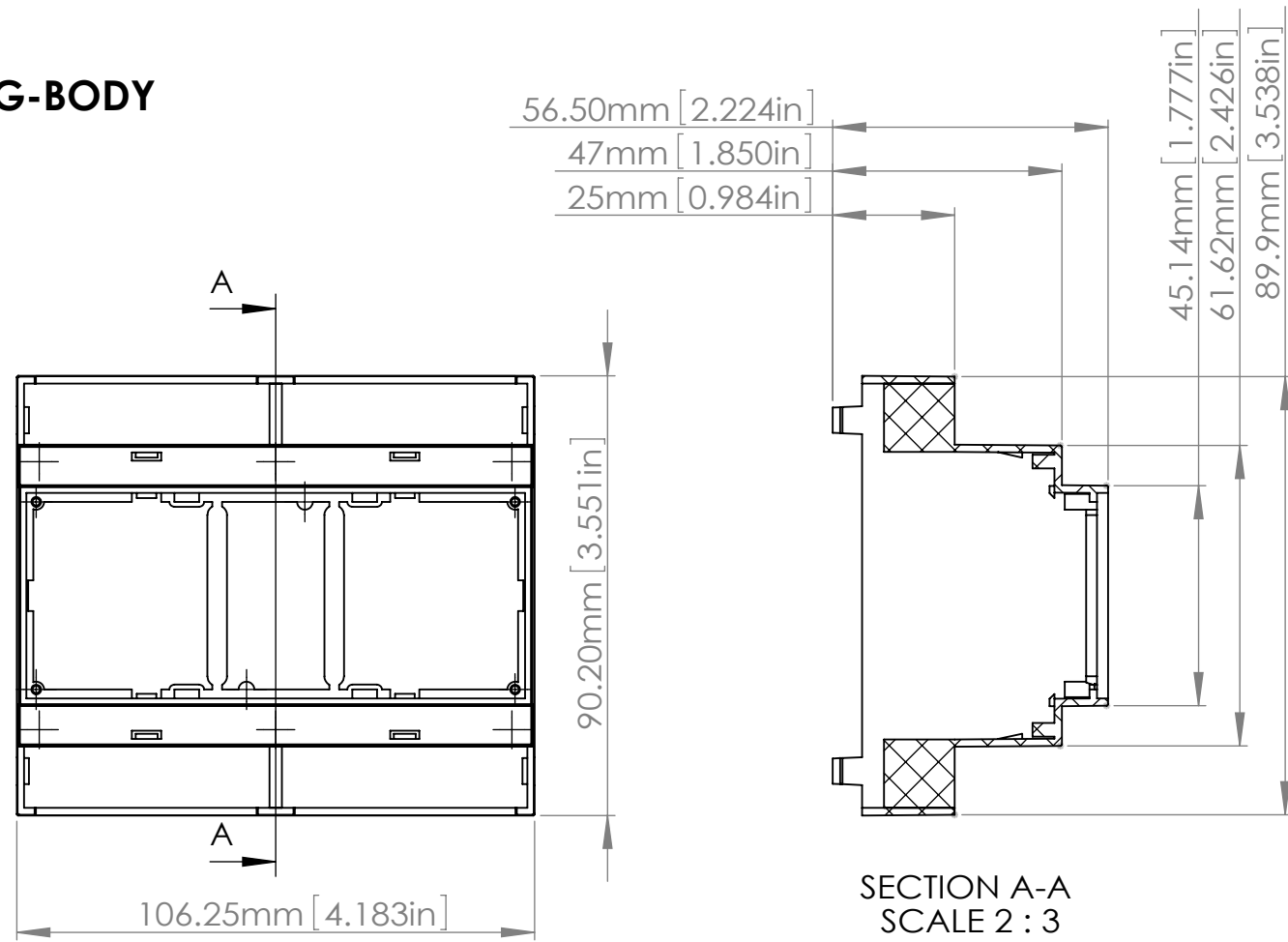
D6MG-ASSEMBLY

圖號DWG NO:

版次REVISID:

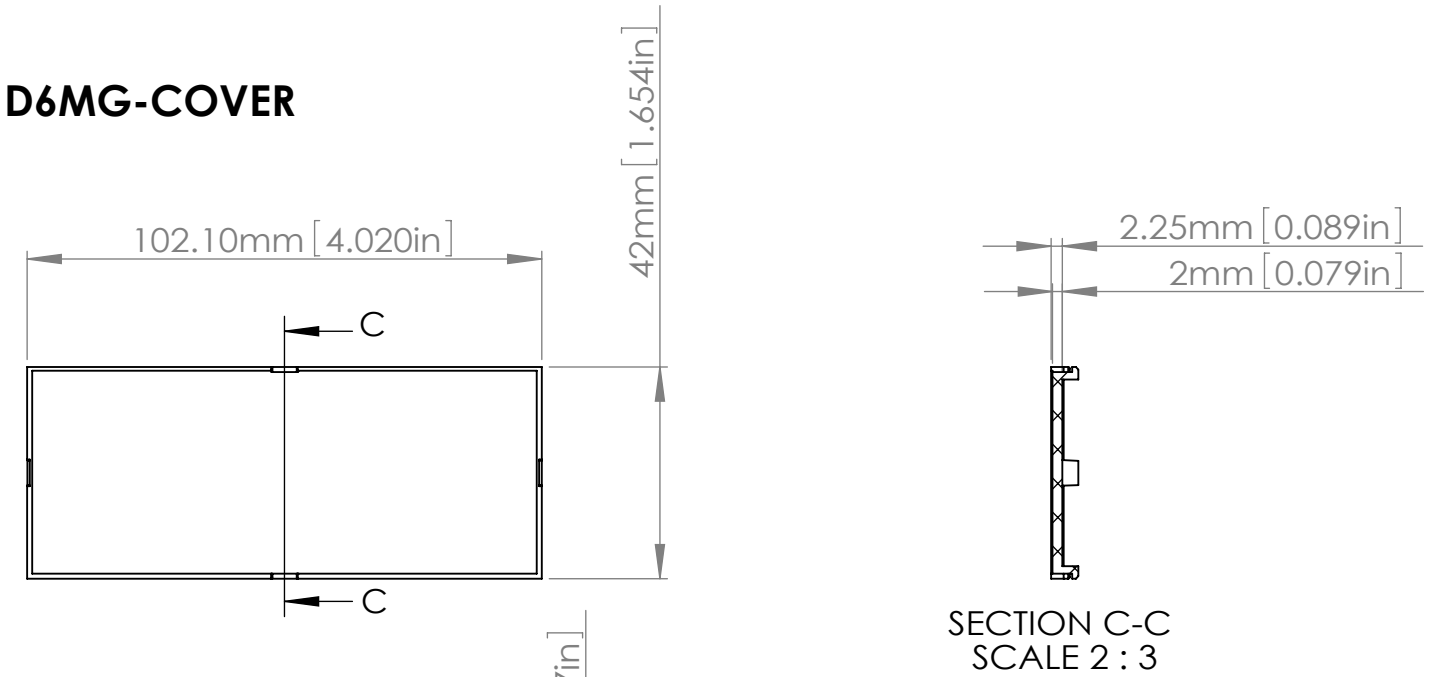
A

D6MG-BODY



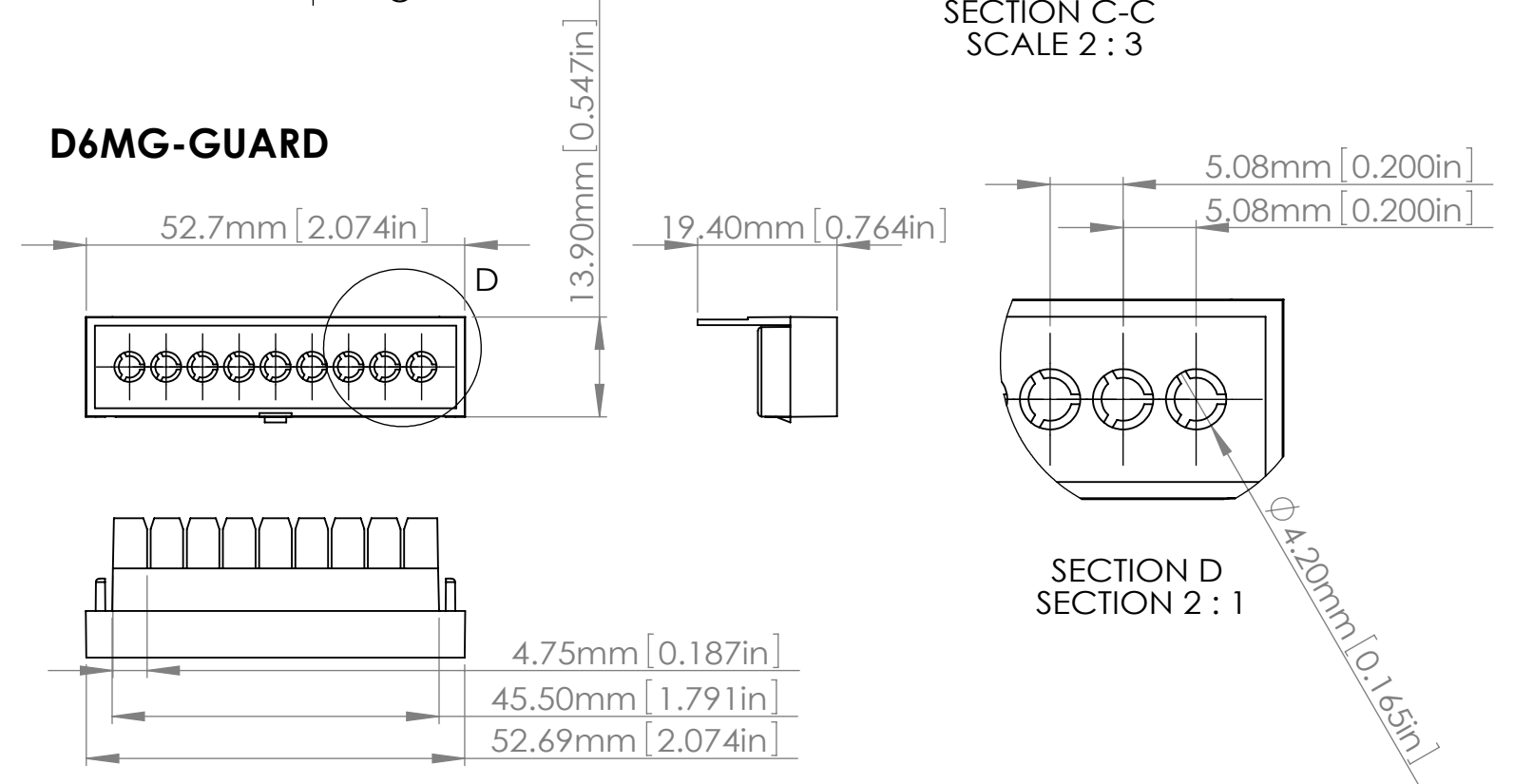
SECTION A-A
SCALE 2 : 3

D6MG-COVER



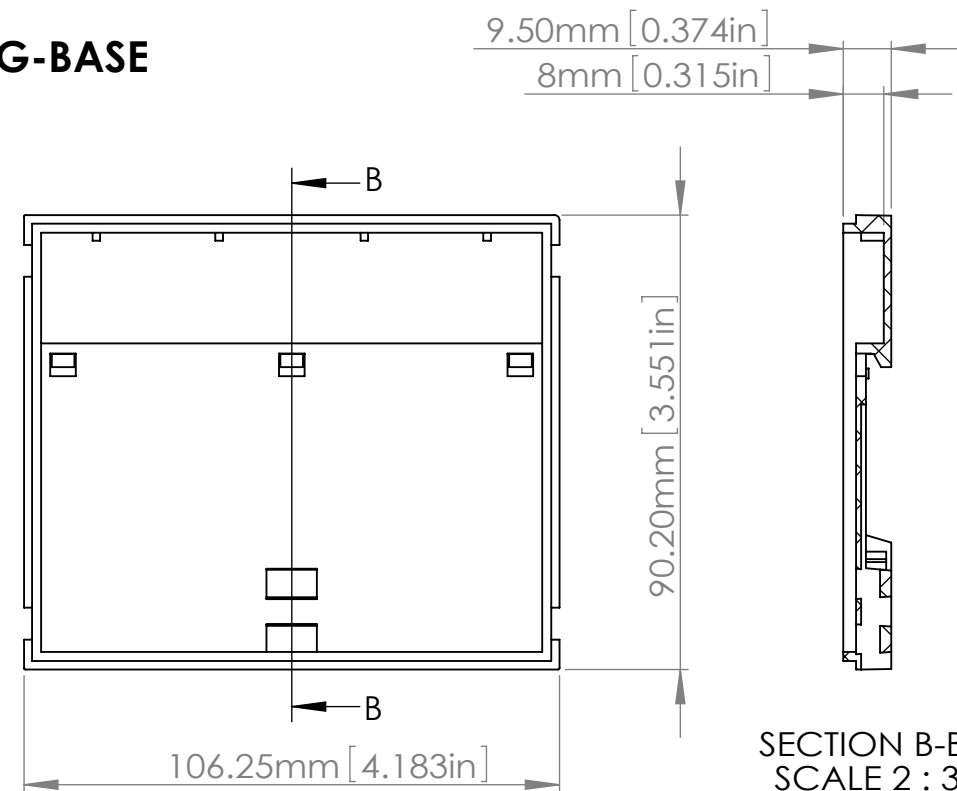
SECTION C-C
SCALE 2 : 3

D6MG-GUARD



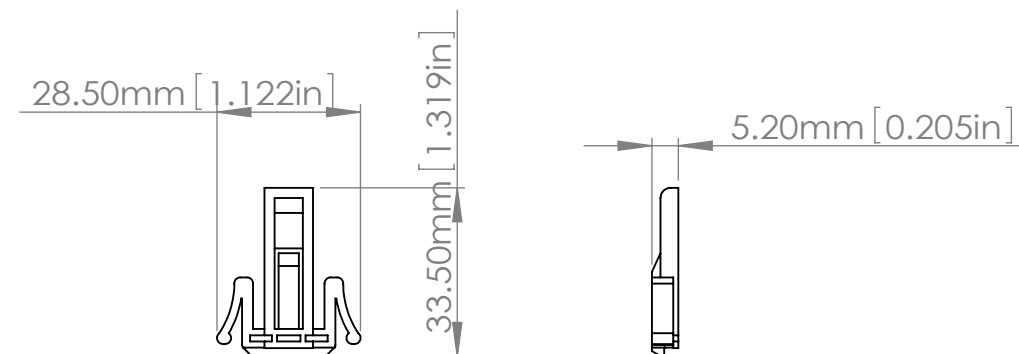
SECTION D
SECTION 2 : 1

D6MG-BASE



SECTION B-B
SCALE 2 : 3

D6MG-WALL CLIP



宣又實業有限公司
GAINTA INDUSTRIES LTD.

繪圖

DRA'D BY
JACKY

日期

2010/4/15

DATE

材質

PC/ABS(UL94-V0);
NYLON66(UL94-V0)

MATE.

圖名TITLE:

D6MG-PART

圖號DWG NO:

版次REVISID:

A