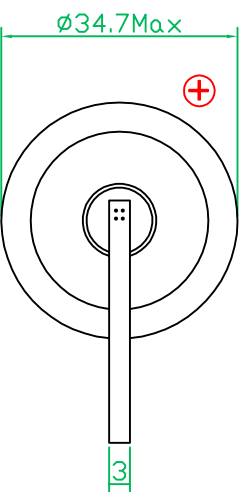
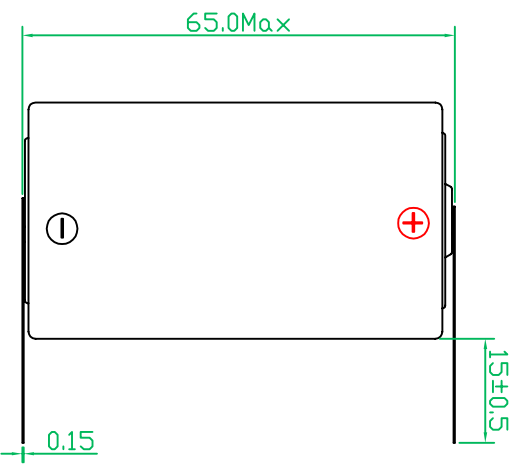
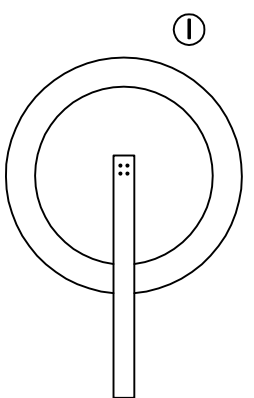
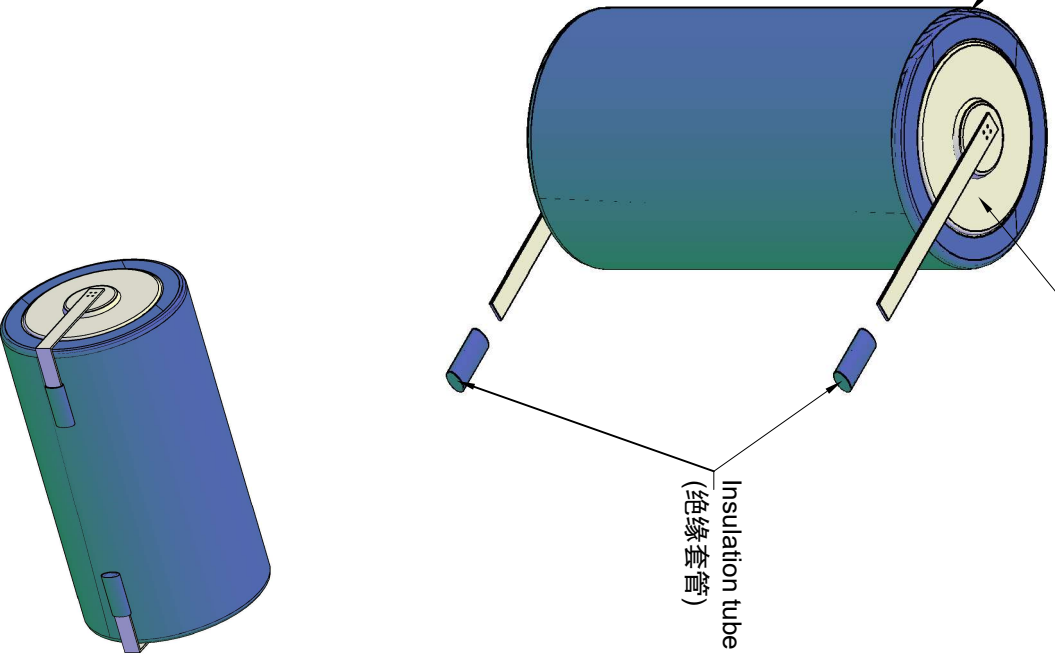


Blue(蓝色)
PVC

Cell(电芯):CR34615SL,
Yellow PVC,with date code

Insulation tube
(绝缘套管)



Remark(备注):

1. Cell(电芯): 3.0V 12000mAh, Blue PVC, with date code(包蓝色PVC, 表面喷码)
2. Cathode/Anode tab: Stainless steel plated with nickel
正/负极焊片材质: 不锈钢镀镍
3. RoHS Compliant
严格按照ROHS要求生产

EEMB
EEMB BATTERY

Title	CR34615SL-FT	Drawn:	WCZ	Revise No.:	E4-2009
		Group:	Group33	Projection:	
File NO.	A21314	Approved1:		Page:	1/1
		Approved2:		Scale:	1 : 1.5
		Draw Date:	2021/04/27	Unit:	mm