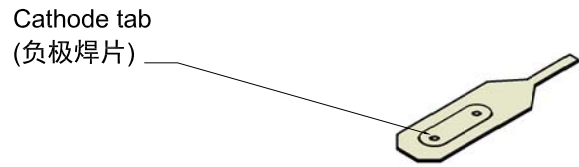


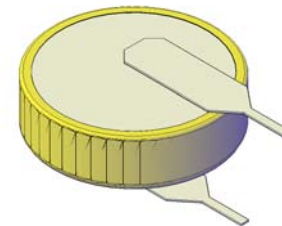
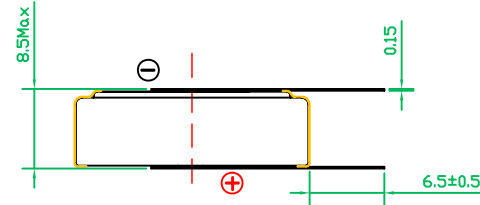
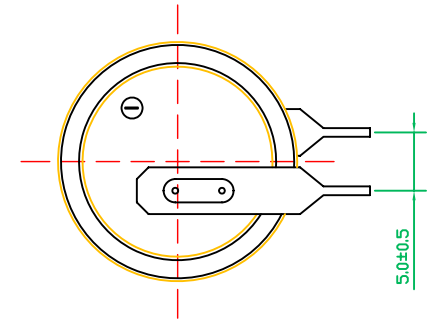
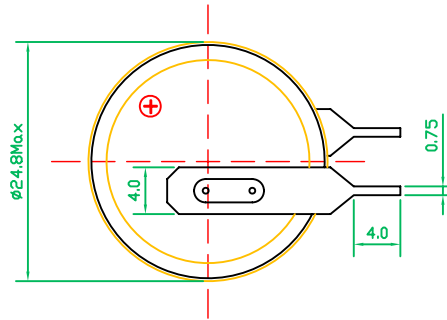
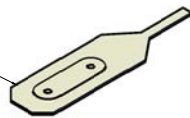
(Scale: 2 : 1)



Yellow(黄色)
PVC



Anode tab
(正极焊片)



Remark(备注):

1. Cell(电芯): Button, Yellow PVC, with date code(扣式, 包黄色 PVC, 表面喷码)
2. Cathode/Anode tab: Stainless steel plated with nickel
正/负极焊片材质: 不锈钢镀镍
3. RoHS Compliant
严格按照ROHS要求生产

EEMB[®]

EEMB BATTERY

<p>Drawn: Sophie</p> <p>Checked 1: Julian</p> <p>Checked 2:</p>		Revise No.:	E4-2009		
		Projection:			
		Page:	1/1		
Title	CR2477-PBN2	Approved:	Scale:	1.5: 1	
File NO.	A09370	Draw Date:	2014/03/21	Unit:	mm