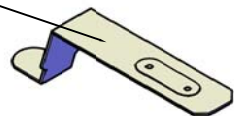
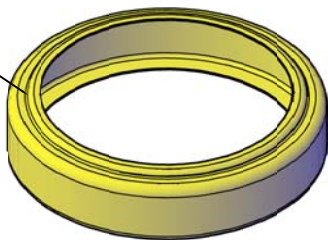


(Scale: 1.8 : 1)

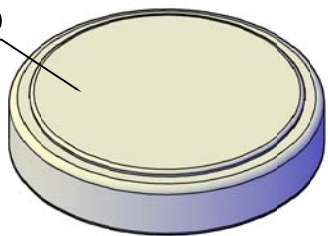
Cathode tab
(负极焊片)



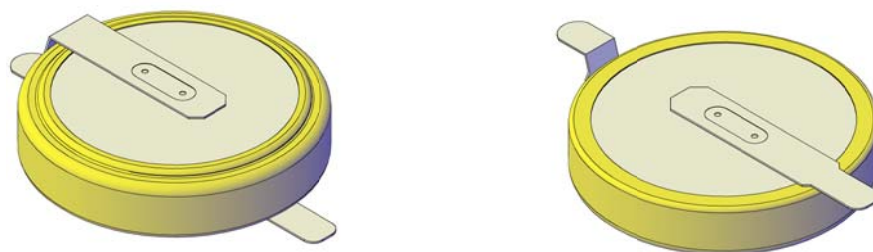
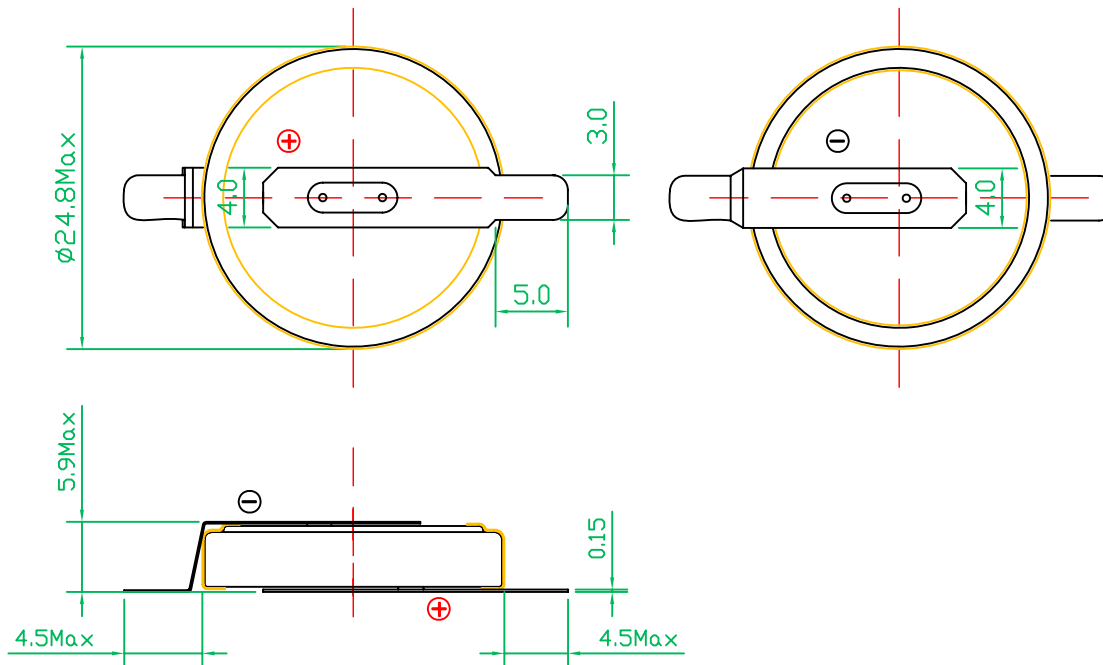
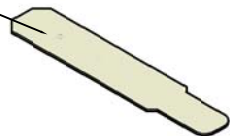
Yellow(黄色)
PVC



Cell(电芯):CR2450
550mAh



Anode tab
(正极焊片)



Remark(备注):

1. Cell(电芯): Button, Yellow PVC, with date code(扣式, 包黄色 PVC, 表面喷码)
2. Cathode/Anode tab: Stainless steel plated with nickel
正/负极焊片材质: 不锈钢镀镍
3. RoHS Compliant
严格按照ROHS要求生产

		Drawn:	Lijieyong	Revise No.:	E4-2009
		Checked 1:	Liusanmei	Projection:	
		Checked 2:		Page:	1/1
Title	CR2450-LDY2	Approved:		Scale:	1.5: 1
File NO.	A07854	Draw Date:	2013/04/01	Unit:	mm