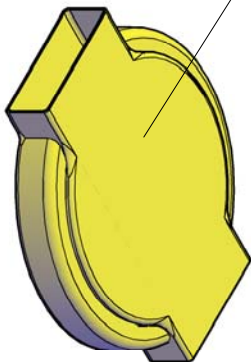


(Scale: 1.8 : 1)

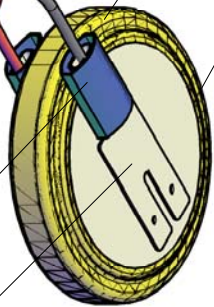
Yellow PVC, CR2032 with date code
(黄色 PVC, 表面喷码 CR2032+ 日期喷码)



Cell(电
芯):CR2032,210mAh
with date code(喷码)

yellow PVC
(包黄色 PVC)

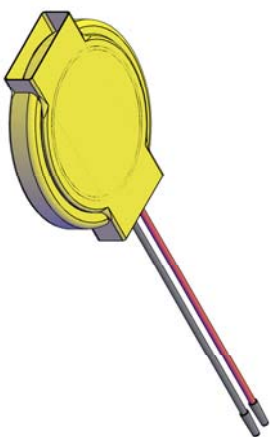
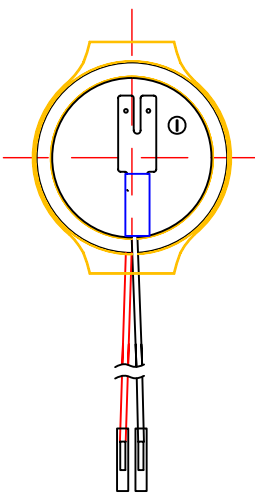
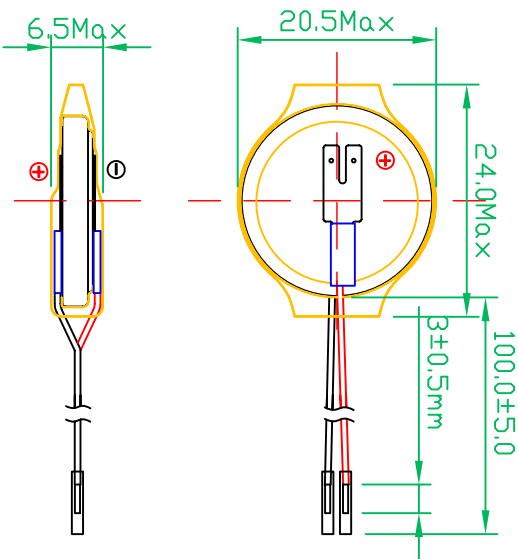
Wire引线:black黑(-)
UL 1061 AWG28



Heatshrink tube
(热缩管)
Tab

Wire引线:red红(+)
UL 1061 AWG28

Heatshrink tube
热缩管



EMB
EMB BATTERY

Title	CR2032-LD	Drawn:	Zhuhaoran	Revise No.:	E4+2009
File NO.	A07932	Checked 1:	CoCo	Projection:	
		Checked 2:		Page:	1/1
		Approved:		Scale:	1.3: 1
		Draw Date:	2013/04/18	Unit:	mm