

## Coin Cell Holders

KLS5-CR2032-03 CR2032 Coin Battery Holder

**Material:**

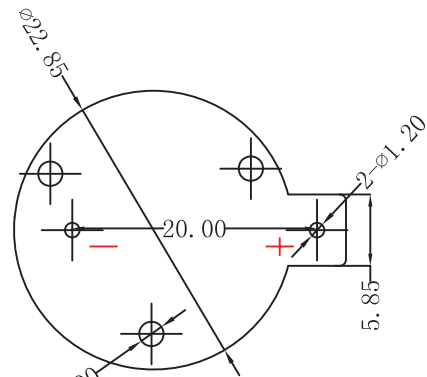
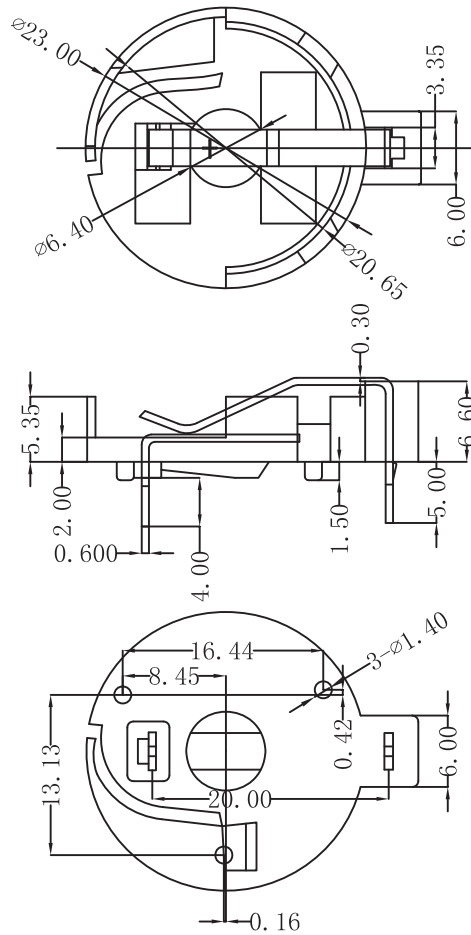
Housing: PBT  
Contacts: Steel; Nickel plated

**Electrical Characteristics:**

Insulator Resistance: 1000M Ohm min.  
Contact Resistance: 30m Ohm max.  
Dielectric voltage: 500V AC  
Operating Temperature: -25°C~+85°C



I



PCB Layout Diagram  
Top View

## ORDER INFORMATION

Product NO.: KLS5-CR2032-03

