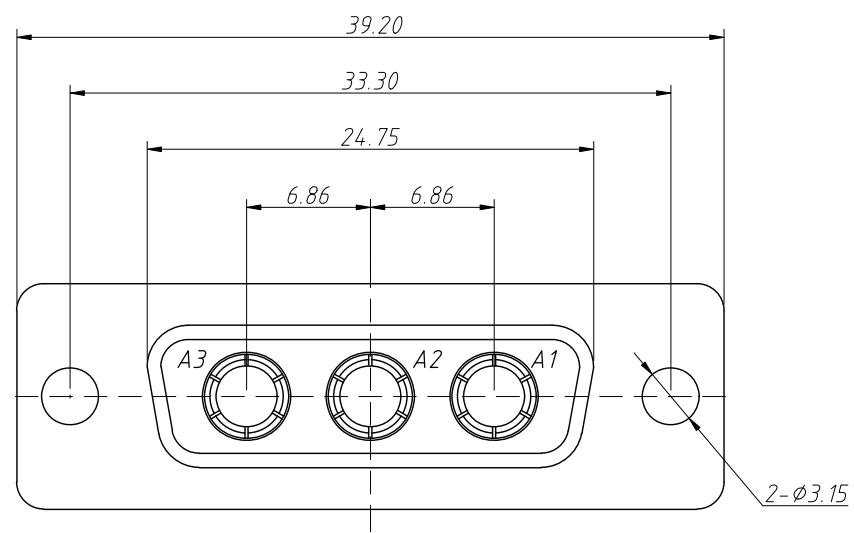


1
RoHS Compliance

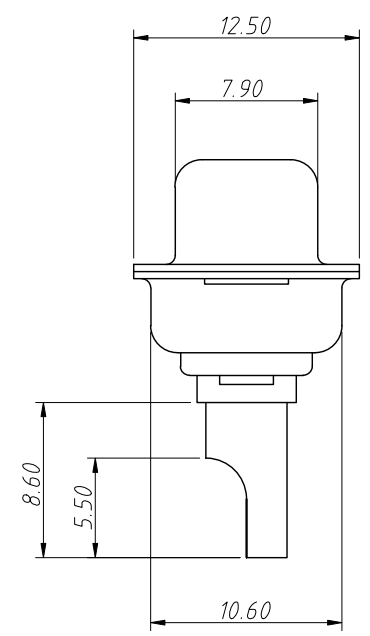
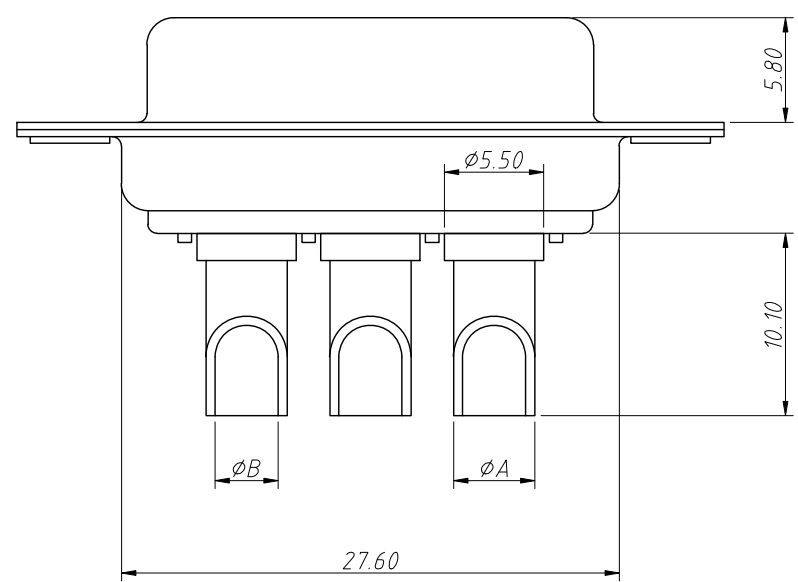
6	7	8
REV	SYM	Revision Record
V0	KLS01545	New Version Release
		Appr. Song
		Date 2024-07-24



Current Rating	A	B	Applicable Wire Diameter
10 A	φ2.60	φ1.80	14 ~ 16AWG
20 A	φ3.60	φ2.80	10 ~ 12AWG
30 A	φ4.50	φ3.50	8 ~ 10AWG
40 A	φ5.40	φ4.60	6 ~ 8AWG

Material:
 Rubber Core: PBT, Black, UL 94V-0
 Contact Point: Copper Alloy,
 1.5u" Gold-Plated
 Shell: SPCC, Nickel Plating On The Front Shell
 And Tin Plating On The Back Shell

Electric:
 Rated Volts: 500V AC Min
 Rated Current: 10A 20A 30A 40A
 Contact Resistance: 30mΩ Max
 Insulation Resistance:
 3000MΩ Min. at 500V DC
 Voltage Withstand: 1000V AC RMS for 1Minute
 Temperature: -55°C ~ +105°C
 Salt Spray time: 48H



Order Information
 L-KLS1-BIG-224-40-3-F
 RoHS
 High Power Current Rating
 10A 20A 30A 40A
 NO. Of Contacts: 3Pins
 F=Female

ANGLE TOLERANCE	PROJECTION	Description:	High Current D-SUB Female
±3°			
GENERAL TOLERANCE	UNITS	mm	KLS P/N: L-KLS1-BIG-224-XX-3-F
x. ±0.5	SHEET SIZE	A4	
.x ±0.3	Draw:	Song	2024-07-24
.xx ±0.2	Check:	Daniel	2024-07-24

