

Revised Record

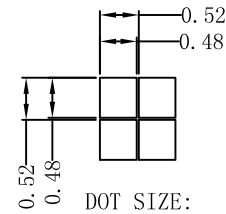
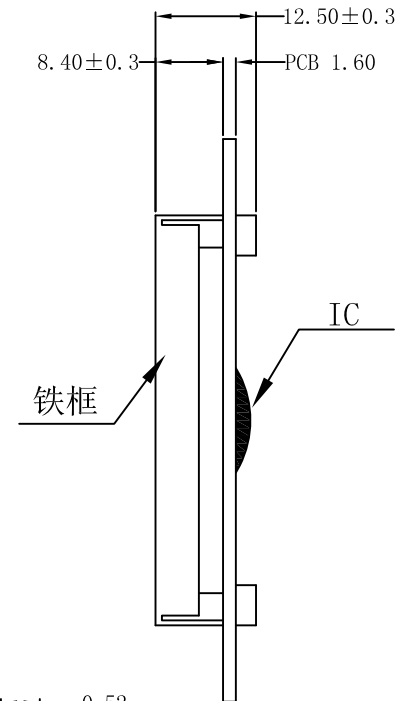
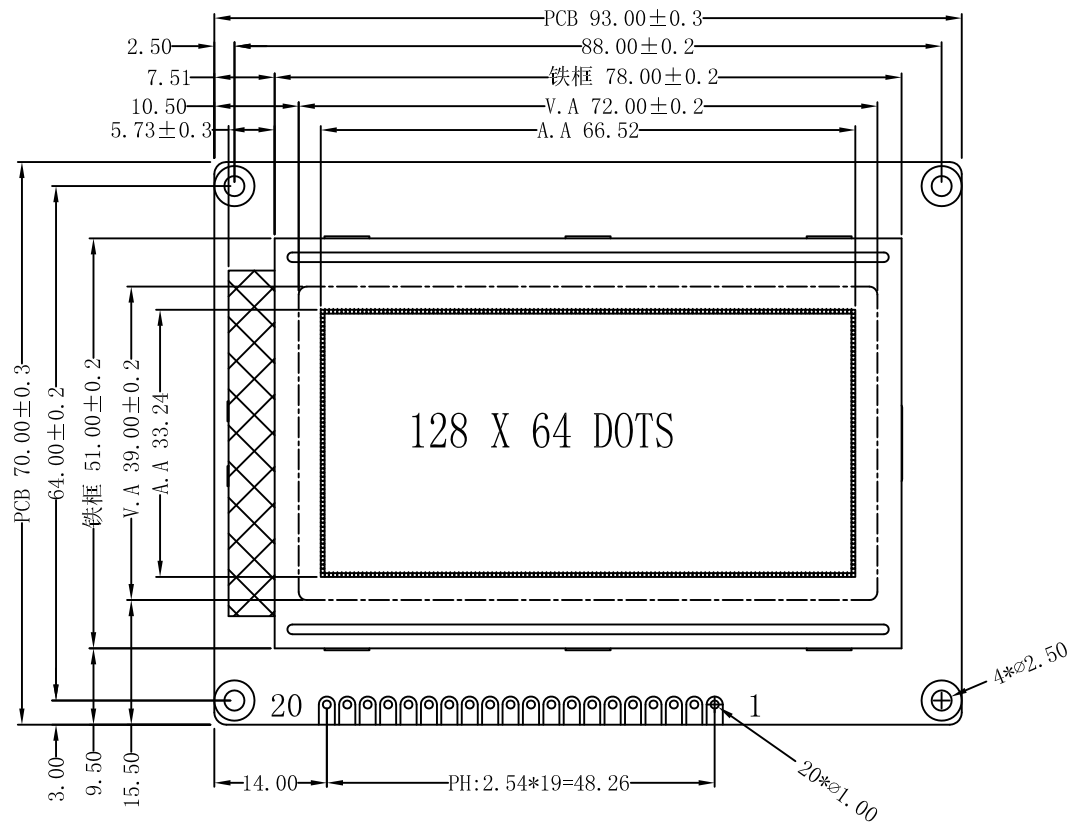
1.0

New issue

2018-09-05

INTERFACE

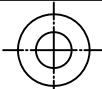
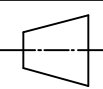
|    |              |
|----|--------------|
| 1  | VSS          |
| 2  | VDD(+5V)     |
| 3  | V0           |
| 4  | RS           |
| 5  | RW           |
| 6  | E            |
| 7  | DB0          |
| 8  | DB1          |
| 9  | DB2          |
| 10 | DB3          |
| 11 | DB4          |
| 12 | DB5          |
| 13 | DB6          |
| 14 | DB7          |
| 15 | CS1          |
| 16 | CS2          |
| 17 | /RST         |
| 18 | VOUT         |
| 19 | LED-A(+5.0V) |
| 20 | LED-K        |



NOTES:

- 01. DISPLAY TYPE: STN-BLUE/NEGATIVE/TRANSMISSIVE RoHS
- 02. OPERATING VOLTAGE: VOP=8.5V,VDD=5.0V
- 03. OPERATING TEMPERATURE: -20°C~+70°C
- 04. STORAGE TEMPERATURE: -30°C~+80°C
- 05. DRIVE MODE: 1/64DUTY,1/9BIAS
- 06. VIEWING DIRECTION: 6:00
- 07. DRIVE IC: AIP31107/31108(OR-EQV)
- 08. CONNECTOR: ZEBER
- 09. BACKLIGHT: LED(WHITE),3PCS,LED,IF:45MA,VF:3.1V
- 10. CUSTOMER'S PART ID: BLAZE\_STANDARD\_PRODUCT

**BLAZE** Blaze Display Technology Co.,Ltd.

|  |   |                  |
|--|---|------------------|
| DESIGNED BY: BDT-24  | <b>BGB12864-09A-SERIES</b>  | VERSION: 1.0     |
| CHECKED BY: BDT-06   |   | PAGE 1 OF 1      |
| APPROVED BY: BDT-02  |   | UNIT: mm         |
| Website: <a href="http://www.blazedisplay.com">http://www.blazedisplay.com</a> |   | DATE: 2018-09-05 |