



## AC INLET Series

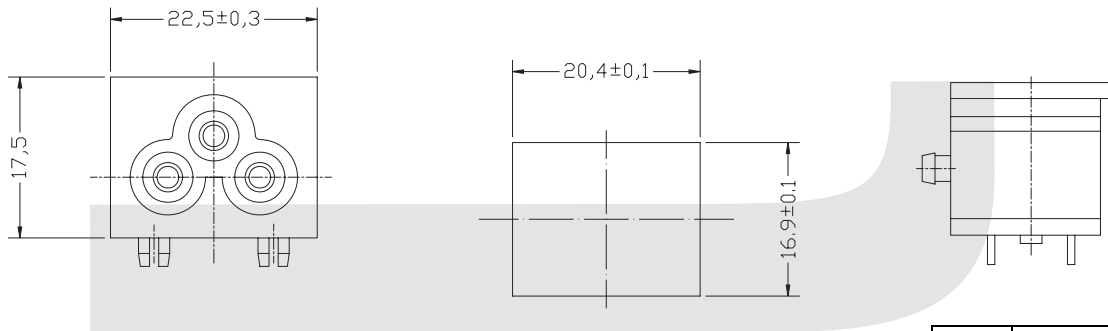
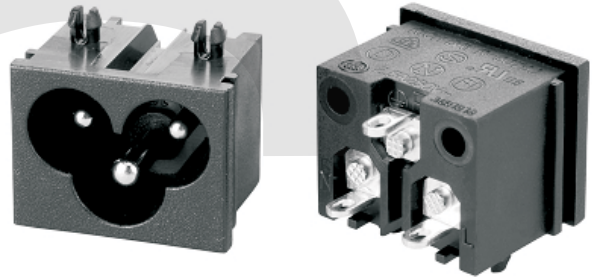
KLS1-AS-111-03 C6 AC INLET Series

### SPECIFICATION:

Standard: IEC 60320 C6  
 Voltage rating: 250V AC  
 Rating: 2.5A 250V AC  
 Insulation Resistance: 100MΩ 500V DC/1 minute  
 Dielectric Strength: 2000V AC/1 minute  
 Temperature range: -45°C ~ +105°C

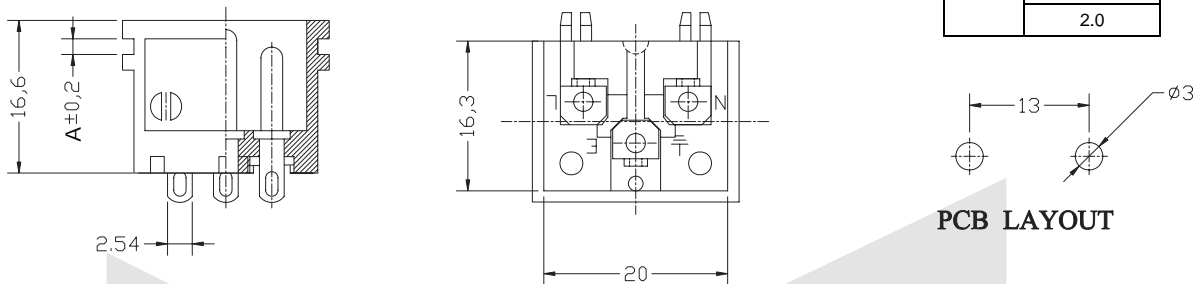
### Material:

Housing Material: PBT UL 94V-0 or PA66/PC UL 94V-0  
 Terminal: Brass ,plating Ni.



PANEL CUT-OUT

ITEM	Dimension(mm)
A	0.8
	1.0
	1.5
	2.0



PCB LAYOUT

## ORDER INFORMATION

Product NO.: KLS1-AS-111-03-1.5

Pos. NO. \_\_\_\_\_ Size:A \_\_\_\_\_  
 AC Inlet Type \_\_\_\_\_