

Connector

AC INLET Series

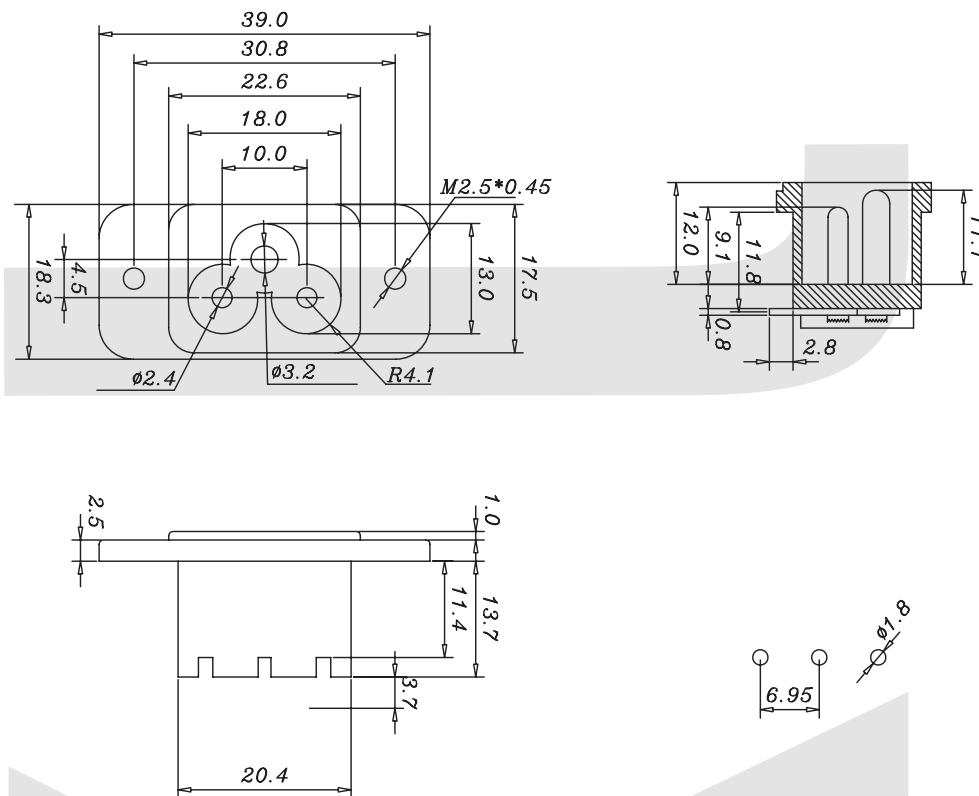
KLS1-AS-111-02 C6 AC INLET Series

SPECIFICATION:

Standard: IEC 60320 C6
Voltage rating: 250V AC
Rating: 2.5A 250V AC
Insulation Resistance: 100MΩ 500V DC/1 minute
Dielectric Strength: 2000V AC/1 minute
Temperature range: -45°C ~ +105°C

Material:

Housing Material: PBT UL 94V-0 or PA66/PC UL 94V-0
Terminal: Brass ,plating Ni.



ORDER INFORMATION

Product NO.: KLS1-AS-111-02

Pos. NO. _____

AC Inlet Type _____