



## AC INLET Series

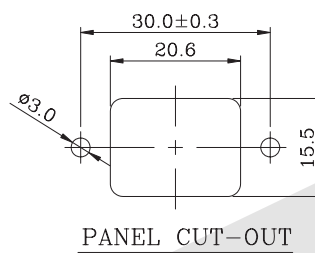
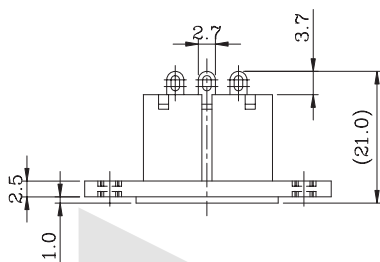
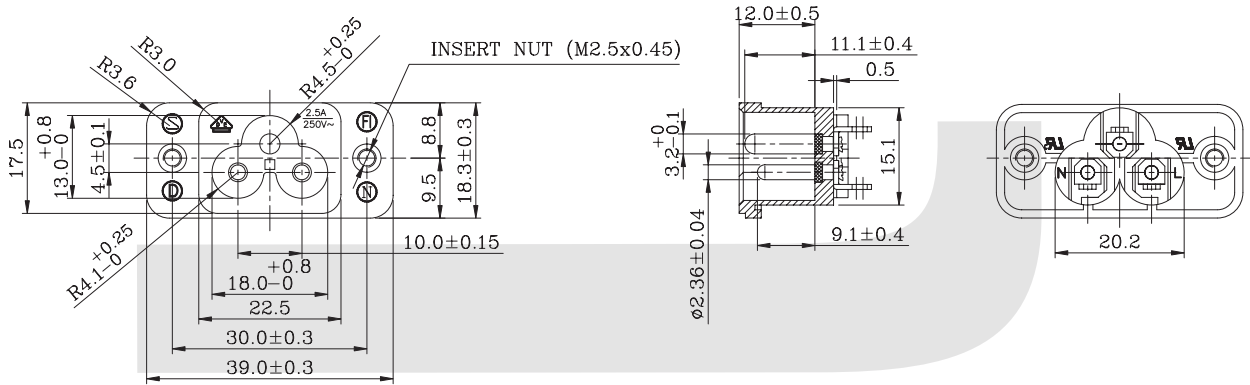
KLS1-AS-111-01 C6 AC INLET Series

### SPECIFICATION:

Standard: IEC 60320 C6  
 Voltage rating: 250V AC  
 Rating: 2.5A 250V AC  
 Insulation Resistance: 100MΩ 500V DC/1 minute  
 Dielectric Strength: 2000V AC/1 minute  
 Temperature range: -45°C ~ +105°C

### Material:

Housing Material: PBT UL 94V-0 or PA66/PC UL 94V-0  
 Terminal: Brass ,plating Ni.



## ORDER INFORMATION

Product NO.: KLS1-AS-111-01

Pos. NO.

AC Inlet Type