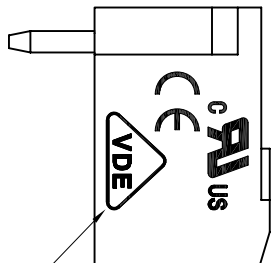
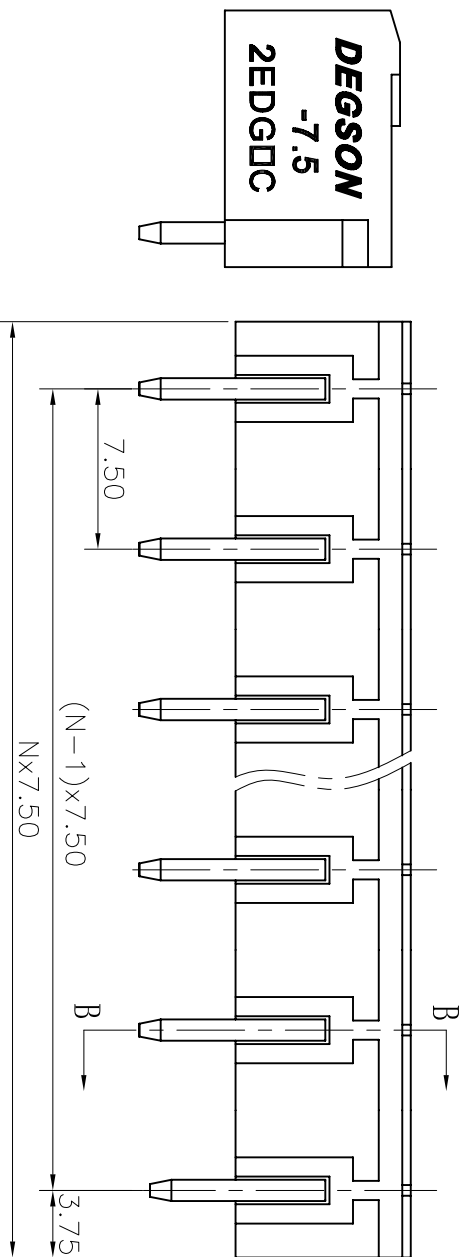
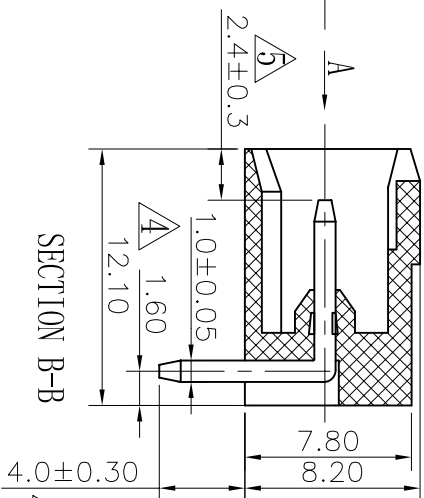
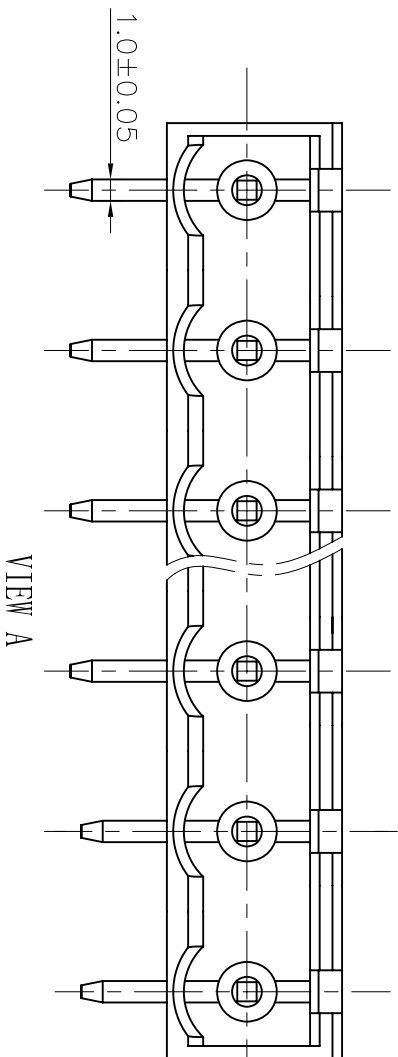


REVISION RECORD			
REV	ECO	DESCRIPTION	DRAFT DATE
4	5	4.5±0.1变更到4.0±0.3 图面更新	DZJ 06/14/06
3	4	增加VDE、CE刻字	CSX 05/04/06
2	3	更新图面	YeJ 02/27/08*
1	2	增加标注尺寸	LJH 04/16/08*
			0000 10/05/10*



- Notes:
- Pitch: 7.5mm , Poles: 2-24P
  - Rated voltage/current: UL 300V/15A  
VDE 400V/20A
  - Operation temperatures: -40°C ~ +105°C
  - Withstanding Voltage: AC2000V/1Min
  - Insulation Resistance: 5000MΩ/DC1000V
  - Undimensioned Tolerances:

2	2EDGR Pin header	1008B00040(H)	XX	Brass	SnCe																						
ITEM		NAME OF PART	NO. OF PART	Q'TY	MATERIAL	NOTES																					
<table border="1"> <tr> <td>MM</td> <td>INCH</td> </tr> <tr> <td>0 ± .005</td> <td>± .001</td> </tr> <tr> <td colspan="2">TOLERANCES EXCEPT AS NOTED</td> </tr> <tr> <td colspan="2">ANGLES ± 1°</td> </tr> </table>		MM	INCH	0 ± .005	± .001	TOLERANCES EXCEPT AS NOTED		ANGLES ± 1°		<table border="1"> <tr> <td>DATE</td> <td>08/02/04</td> </tr> <tr> <td>CHKD</td> <td></td> </tr> <tr> <td>DATE</td> <td></td> </tr> <tr> <td>MFO</td> <td></td> </tr> <tr> <td>DATE</td> <td></td> </tr> <tr> <td>APPL</td> <td></td> </tr> <tr> <td>DATE</td> <td></td> </tr> </table>	DATE	08/02/04	CHKD		DATE		MFO		DATE		APPL		DATE				
MM	INCH																										
0 ± .005	± .001																										
TOLERANCES EXCEPT AS NOTED																											
ANGLES ± 1°																											
DATE	08/02/04																										
CHKD																											
DATE																											
MFO																											
DATE																											
APPL																											
DATE																											
DETACHED LISTS		<table border="1"> <tr> <td>NAME</td> <td>DEGSON 宁波高正电子有限公司</td> </tr> <tr> <td>DEGSON</td> <td>DEGSON ELECTRONICS CO., LTD</td> </tr> <tr> <td>NAME</td> <td>ZEDGRC-7.5-XXP-1Y-00A(H)</td> </tr> <tr> <td>DRAWING NO.</td> <td>ZEDGRC-7.5-E01</td> </tr> <tr> <td>/PART NO.</td> <td></td> </tr> <tr> <td>SCALE</td> <td>1:1</td> </tr> <tr> <td>DO NOT SCALE DRAWING</td> <td></td> </tr> </table>				NAME	DEGSON 宁波高正电子有限公司	DEGSON	DEGSON ELECTRONICS CO., LTD	NAME	ZEDGRC-7.5-XXP-1Y-00A(H)	DRAWING NO.	ZEDGRC-7.5-E01	/PART NO.		SCALE	1:1	DO NOT SCALE DRAWING									
NAME	DEGSON 宁波高正电子有限公司																										
DEGSON	DEGSON ELECTRONICS CO., LTD																										
NAME	ZEDGRC-7.5-XXP-1Y-00A(H)																										
DRAWING NO.	ZEDGRC-7.5-E01																										
/PART NO.																											
SCALE	1:1																										
DO NOT SCALE DRAWING																											
THIRD ANGLE PROJECTION		SCALE : 1:1																									