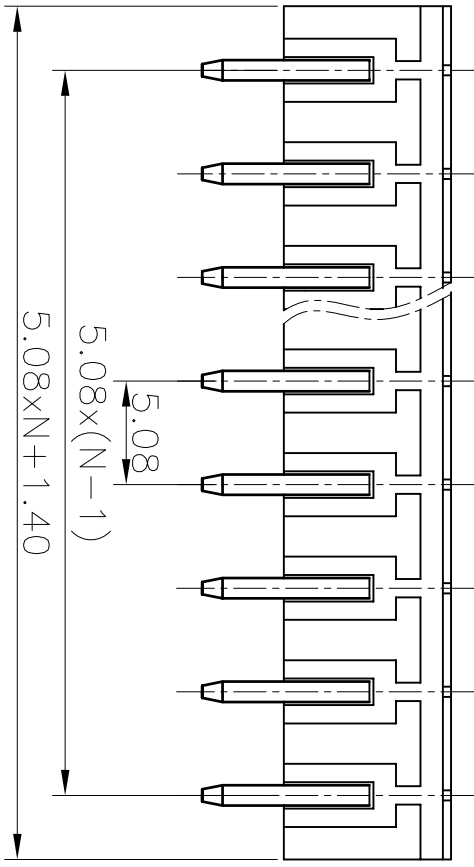
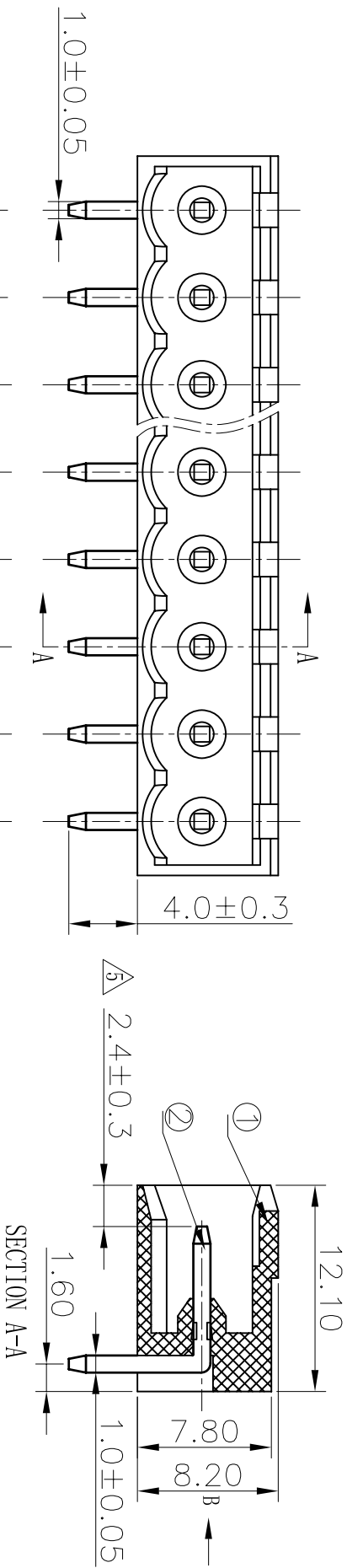


REVISION RECORD				
REV	ECO	DESCRIPTION	DRFT	DATE
△		Drawing amend	CSX	04/21/08*
△		增加VDF、C刻字	Ye-j	02/27/08*
△		图面更新	Ye-j	03/28/08*
△		增加自动化方针	WLM	09/23/08*
△	ll-029	增加标注尺寸	COCO	10/04/10*



VIEW B

- Notes:
1. Pitch: 5.08mm, poles: 2-24p
  2. Rated voltage/current: UL 300V/15A  
VDE 320V/20A
  3. Operation temperatures: -40° C~+105° C
  4. Withstanding voltage: AC2000V/1Min
  5. Insulation resistance: 5000MΩ/DC1000V
  6. Undimensioned Tolerances:

Pitch range in mm	Nominal dimension range in mm	—
over 6 to 10	over 30 to 60	—
to 10 to 24	to 60 to 100	□
to 24 to 30	to 100 to 150	○
to 30 to 60	to 150 to 300	—

ITEM	NAME OF PART	NO. OF PART	Q'TY	MATERIAL	NOTES
2	2EDGR-Pin header	△1008B00120 (H)	XX	Brass	Automatic assembly
2	2EDGR (A) Pin header	1008B00040 (H)	XX	Brass	Manual assembly
1	2EDGRC-5.08-Housing	1009A0YXXXA (H)	1	PA66	UL94V-0

DETACHED LISTS		DRAWING NO.		PART NO.		SCALE		SHEET	
MM	±	0.00 ±	±	0.00 ±	±	1:1	1	1	1
ANGLES	± 1°	G.E.:		FINISH:					
THIRD ANGLE PROJECTION		NAME		DEGSON		宁波高正电子有限公司		DEGSON ELECTRONICS CO., LTD	
TOLERANCES EXPERT AS NOTED		DRAWING NO.		2EDGRC-5.08-E06		DO NOT SCALE DRAWING		SHEET 1 OF 1	
DATE		DATE		DATE		DATE		DATE	
08/23/05*									