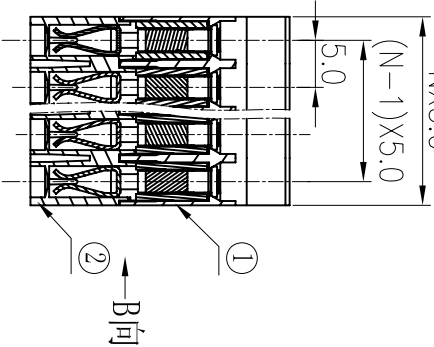
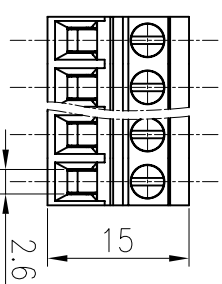
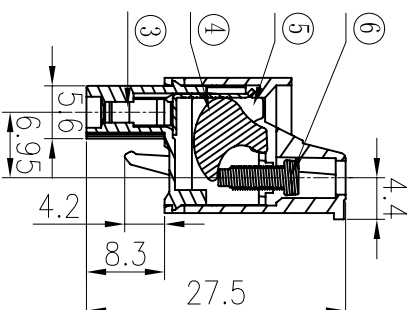


REVISION RECORD

REV	ECO	DESCRIPTION	DRAWN	DATE
Δ		图面整理	Apple	04/07/08



Section P-P

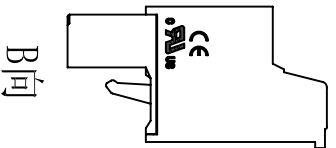


Section A-A

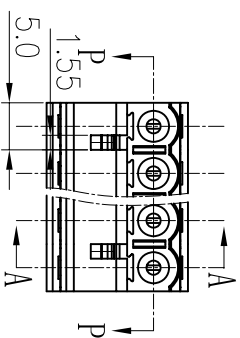
Notes:

1. Pitch: 5.0mm, Poles: 2-24P
2. Rated voltage/current: UL 300V/10A IEC 250V/20A
3. Operation temperatures: -40°C ~ +105°C
4. Withstanding Voltage: AC2000V/1min
5. Insulation Resistance: 5000MΩ/DC1000V
6. Wire Range: 28~12AWG, 2.5mm²
7. Max. Torque Value: M2.5, 4.08kgf.cm
8. Undimensioned Tolerances:

Pitch range in mm	Nominal dimension range in mm					
	over 6	over 10	over 30	over 60	over 100	over 150
to 6	to 10	to 30	to 60	to 100	to 150	
to 10	to 24	to 30	to 60	to 100	to 150	□
±0.10	±0.15	±0.25	±0.2	±0.3	±0.5	±0.7 ±1.0/0.05/0



B向



6	2EDGKC Screw-M2.5	S000002150(H)	XX	Steel	Cr ³⁺ Zn
5	2EDGKC-Cage	X000001710(H)	XX	Steel	Cr ³⁺ Zn
4	2EDGKC-Block	X000001720(H)	XX	Steel	Cr ³⁺ Zn
3	2EDGKC-Clamp	1091B00010(H)	XX	Phosphor bronze	SnCe plated
2	2EDGKC-5.0 Cover	1093C0YXXA(H)	1	PA66	UL94V-0

DETACHED LISTS

ITEM	1	2EDGKC-5.0 Housing	NO. OF PART	1093A0YXXA(H)	1	PA66	UL94V-0
TOLERANCES EXCEPT AS NOTED		DATE: 02/22/08*		NAME: 2EDGKC-5.0-XXP-1Y-00A(H)		DRAWING NO.: 2EDGKC-5.0-E01	
MM (INCH)		DATE: 02/22/08*		DEGSON		SIZE: A3	
.00 ±		DATE: 02/22/08*		DEGSON ELECTRONICS CO., LTD		REV: 11	
.000 ±		DATE: 02/22/08*		宁波德工电子有限公司		REV: 11	
ANGLES ± 1°		DATE: 02/22/08*		DEGSON ELECTRONICS CO., LTD		REV: 11	
THIRD ANGLE PROJECTION		DATE: 02/22/08*		DEGSON ELECTRONICS CO., LTD		REV: 11	
SCALE: 1:1		DATE: 02/22/08*		DEGSON ELECTRONICS CO., LTD		REV: 11	
DO NOT SCALE DRAWING		DATE: 02/22/08*		DEGSON ELECTRONICS CO., LTD		REV: 11	
SHEET 1		DATE: 02/22/08*		DEGSON ELECTRONICS CO., LTD		REV: 11	
OF 1		DATE: 02/22/08*		DEGSON ELECTRONICS CO., LTD		REV: 11	

8 7 6 5 4 3 2 1