

Electret Condenser Microphone

Customer	
Customer P/O	
BeStar Model Name	BCM9765P-44
Product No.	190505
Issue No.	BS/TEM01.046A
Issue Date	03/10/20

Approval:

1. Characteristic
2. Appearance
3. Environment Test



BESTAR ELECTRONICS INDUSTRY CO.,LTD
TianAn Industry Park4/F,Site B ChangZhou New District
Tel:86-519-5103228
Fax:86-519-5131010
Http:www.be-star.com
E-Mail:bestarco@pub.cz.jsinfo.net

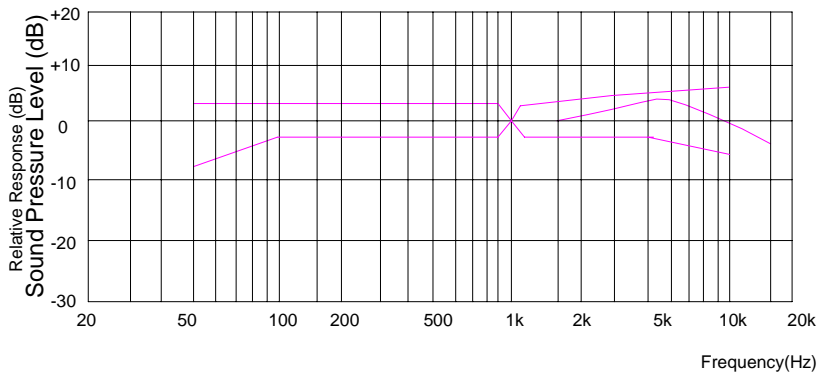
BCM9765P-44

1. Characteristics

Test Condition (Vs=4.5V RL=2.2Kohm Ta=20° C R.H.=65%)

No.	Item	Specifications
1	Sensitivity	-44± 2dB(0dB=1V/Pa,1kHz)
2	Impedance	2.2± 30%kohm at 1KHz
3	Current Consumption	0.8mA Max.
4	Standard operation voltage	1.5-10V
5	Directional	Omnidirectional
6	S/N Ratio	more than 60dB(0dB=1V/Pa,1kHz)
7	Max. Input Sound Level	100dB S.P.L
8	Frequency Response	20Hz~16kHz
9	Decreasing Voltage Characteristic	-3dB(Vs=4.5V-3V)
10	Weight	Less than 1.3g

★Frequency Resonse Curve

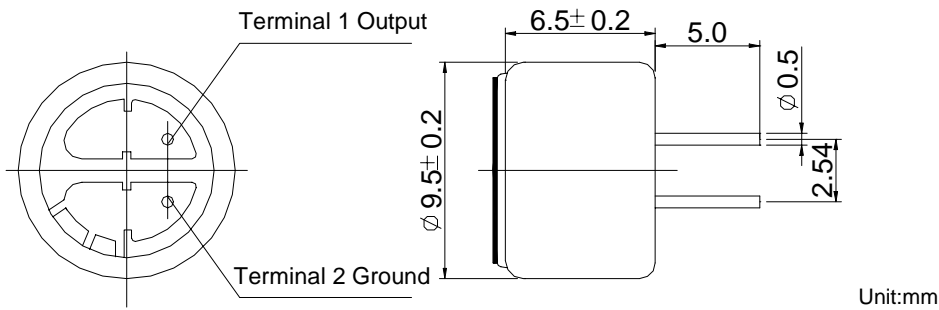


This print and information therein are proprietary to Bestar Electronics Industry Co., Ltd. and shall not be used in whole or in part without its written content

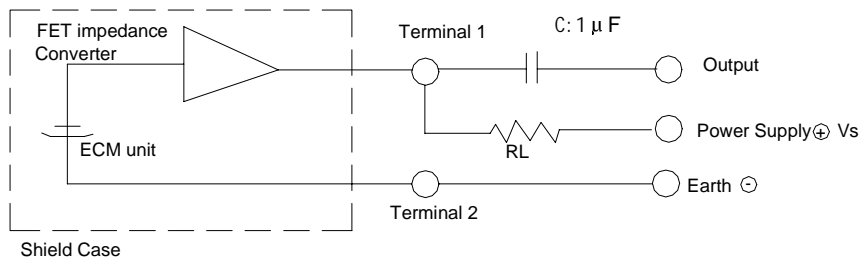
DIS.	程久生	DATE	03/10/20	Page:1 of 3	BCM9765P-44
CHEC.		DATE		3rd angle projection	
APPR.		DATE			Microphone
 BESTAR ELECTRONICS INDUSTRY CO.,LTD TianAn Industry Park 4/F,Site B ChangZhou New District E-Mail:bestarco@ pub.cz.jsinfo.net Http:www.be-star.com					DRG NO BS/TEM01.046A

BCM9765P-44

2.Appearance



Measurement Circuit:



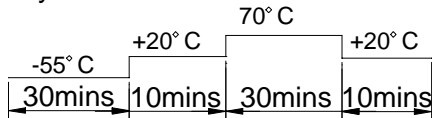
This print and information therein are proprietary to Bestar Electronics Industry Co., Ltd. and shall not be used in whole or in part without its written content

DIS.	程久生	DATE	03/10/20	Page:2 of 3	BCM9765P-44
CHEC.		DATE		3rd angle projection	
APPR.		DATE			Microphone
 BESTAR ELECTRONICS INDUSTRY CO.,LTD TianAn Industry Park 4/F,Site B ChangZhou New District E-Mail:bestarco@ pub.cz.jsinfo.net Http:www.be-star.com					DRG NO BS/TEM01.046A

BCM9765P-44

3.Environment Test

- 3.1 High temp.life test
 - Temperature +70° C
 - Duration 200hrs
- 3.2 Low temp.life test
 - Temperature -25° C
 - Duration 200hrs
- 3.3 Temperature cycle test
 - Cycles 5



- 3.4 Humidity Test
 - Temperature +60° C
 - Relative Humidity 90~95%
 - Duration 200hrs


Tests above should be measured after leaving normal temperature for 6hrs.

- 3.5 Vibration Test
 - Vibration Frequency 10~55Hz
 - Amplitude 1.52mm/min
 - Direction 3(x.y&z)
 - Duration 2hrs each cycle(total 6 hrs)
- 3.6 Drop test
 - Height 1m
 - (Dropped to 20mm thick hardwood board without packing.)
 - Direction 3
- 3.7 Soldering Heat Shock
 - Temperature 260± 5° C
 - Duration 10± 1 sec
- 3.8 Terminal Mechanical Strength
 - Strength 1kg
 - Duration 1 min
- 3.9 Storage Temperature: -20~+60° C

Notice:

All specifications must be satisfied in this condition.
Sensitivity :Allowable deviation within ± 3dB from initial sensitivity.

This print and information therein are proprietary to Bestar Electronics Industry Co., Ltd. and shall not be used in whole or in part without its written content

DIS.	程久生	DATE	03/10/20	Page:3 of 3	BCM9765P-44
CHEC.		DATE		3rd angle projection	
APPR.		DATE			Microphone
 BESTAR ELECTRONICS INDUSTRY CO.,LTD TianAn Industry Park 4/F,Site B ChangZhou New District E-Mail:bestarco@ pub.cz.jsinfo.net Http:www.be-star.com					DRG NO BS/TEM01.046A