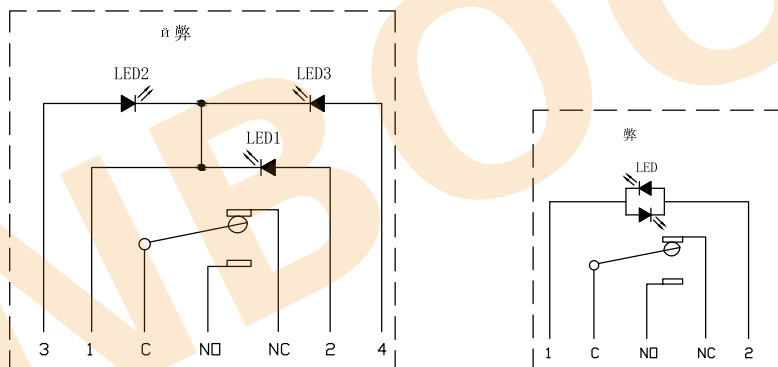
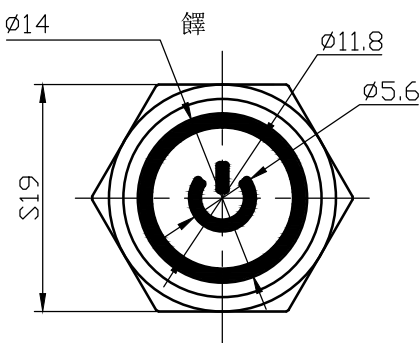
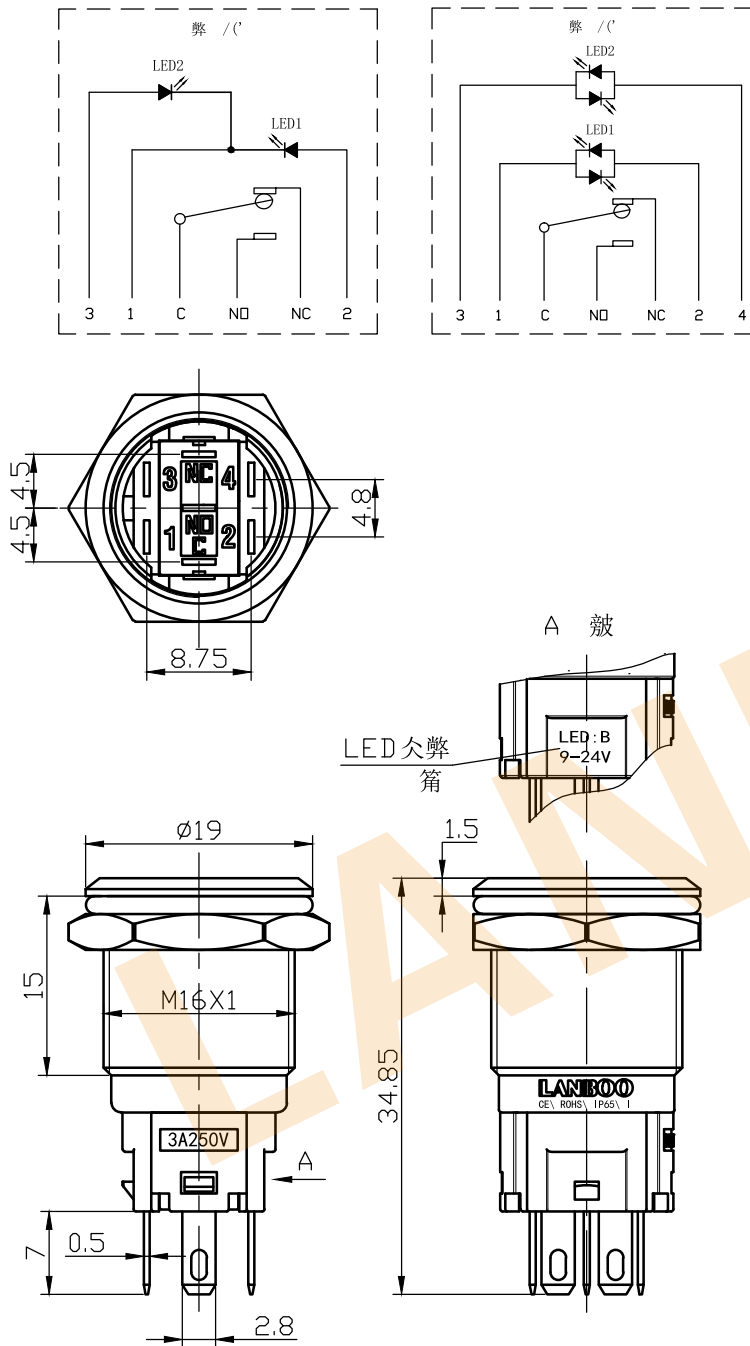


16A 19A 16A2 19A2

1. The surface is clean with even luster;
2. Rated voltage: resistive current 3a250vac;
3. Rated load of LED: dc3-8v, 9-24v, 25-48v, ac110220v
4. Working environment temperature: - 30C + 80 °C;
5. Action form: self-locking / self duplicating;
6. Action stroke: 3.1mm;
7. Action force: About 4N
8. Wiring form Insertion of supporting connector;Welding wire, pay attention to welding time and temperature
9. Tightening torque: 5-14n. M;
10. Switch combination: 1no1nc;
11. Appearance material:Key: PC / 316 stainless steel / Brass chrome plating;
Shell: 304 stainless steel / Brass chrome plating / aluminum alloy oxidation;
base: high flame retardant environmental protection Pa66;
Contact: silver contact;Pin: H65 gold / silver plated
12. Installation size:The diameter of the opening is 16.2mm;
Panel thickness \leq 12mm.
13. Waterproof grade: Ip65;
14. Protection grade: ik10;
15. LED lamp bead service life: 40000 H
16. Contact resistance of contact: \leq 50m Ω
17. Insulation resistance: \geq 1000M Ω
18. Electrical resistance: 1000 vacmin;
19. Electrical life
Rated load 0.2a250vac, 200000 times
Rated load 1a250vac, 100000 times
Rated load: 3a250vac, 50000 times
Rated load: 5a250vac, 5000 times
Mechanical life: Latching, 300000 times,
Momentary, 500000 times;



		副 PP 刺 剋 剋	稱號	LANBOO 藍波 WINDOO 風波
		刺 剋 時 額 額 額		
符牌				
an				欠弊
			LB16A-P11/E+DY	