

Using the MMA7260Q Evaluation Board

by: **Michelle Clifford and John Young**
Applications Engineers
Tempe, AZ

INTRODUCTION

This application note describes the Accelerometer Evaluation Board (Figure 2) for the MMA7260Q 3-axis low-g accelerometer. The Accelerometer Evaluation Board is a small circuit board intended to be used for evaluating the MMA7260Q and developing prototypes quickly without requiring a PCB to be designed to accommodate for the small profile QFN package. It also provides a means for understanding the best mounting position and location of an accelerometer in your product with provided board mounting points.

CIRCUIT DESCRIPTION

Figure 3 is a circuit schematic of the evaluation board. The recommended decoupling capacitor at the power source and recommended RC filter at the output, are included on the evaluation board. For a complete description of the operation of the accelerometer, refer to the MMA7260Q datasheet. There is an RC filter at each of the three accelerometer outputs in order to minimize clock noise that may be present from the switched capacitor filter circuit. No additional components are necessary to use the evaluation board.

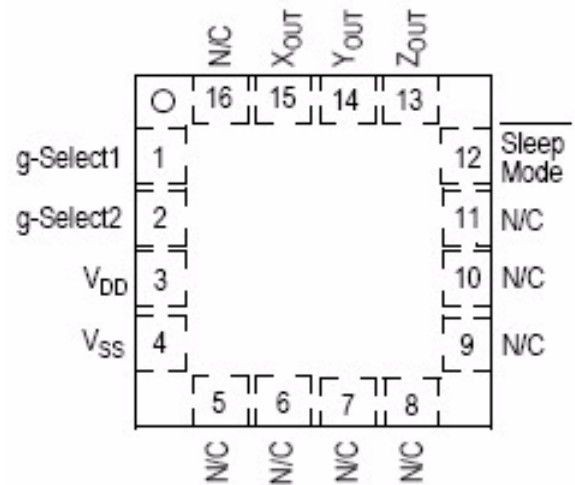


Figure 1. Pin Connections



Figure 2. Evaluation Board for MMA7260Q

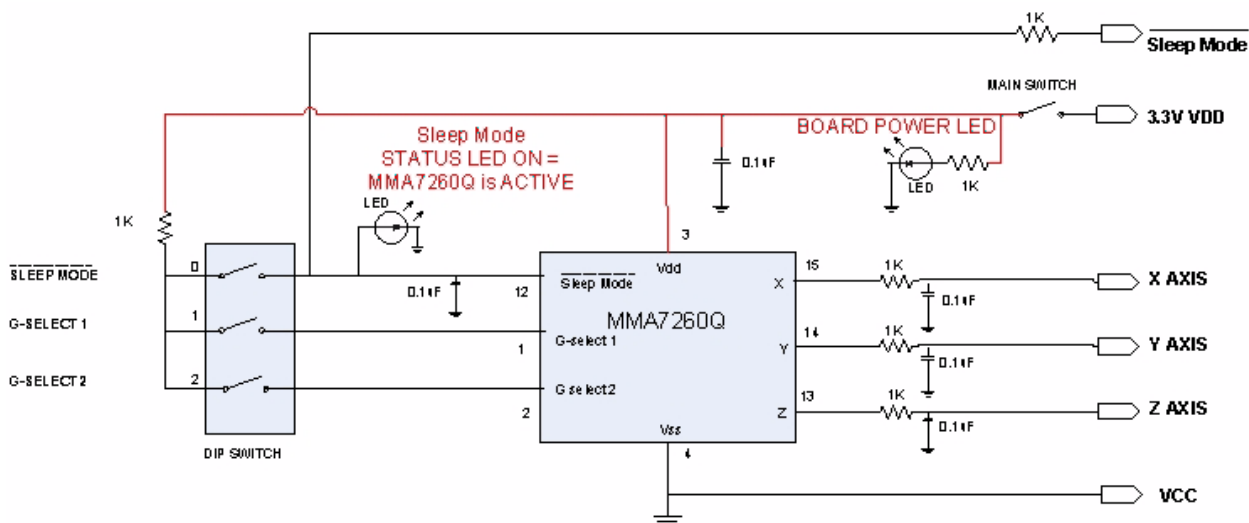


Figure 3. Circuit Schematic of the MMA7260Q Evaluation Board

Table 1. Description of Output/Input Pads

| Output/Input Pads | Description |
|-------------------|--|
| Sleep Mode | Used for an external source to enable/disable sleep mode |
| 3.3V VDD | Input Voltage |
| X axis | Analog Voltage output of X axis |
| Y axis | Analog Voltage output of Y axis |
| Z axis | Analog Voltage output of Z axis |

The evaluation board has pads for interfacing to a 3.3 volt power source or battery. The pads on the side of the board also provide a means for connecting to the accelerometer analog output by soldering a wire from the evaluation board to another breadboard or system. The ON/OFF switch provides power to the accelerometer and helps preserve battery life if a battery is being used as the power source. S1 must be set towards the ON position for the accelerometer to function. The green LED labeled PWR is lit when power is supplied to the accelerometer.

G-SELECT DIPSWITCH SETTINGS

The g-Select is a powerful features on the MMA7260Q allowing one device to measure 4 different ranges of acceleration. See Table 2. The g-Select allows one device to provide two different applications in one package. By adjusting the dip-switches on the evaluation board, the accelerometer can toggle between the different g-Ranges with the same accelerometer part. The following table outlines the g-Ranges that the toggle selections correspond to. The dip-switches on the evaluation board allow users to make selections without having to create the PCB board and define settings as in the finished product. A microcontroller in a finished product could also use this g-Select functionality of the MMA7260Q to adjust the g-Ranges of the device as needed by the end customer.

Table 2. g-Select pin Descriptions

| g-Select2 | g-Select1 | g-Range | Sensitivity |
|-----------|-----------|---------|-------------|
| 0 | 0 | 1.5g | 800mV/g |
| 0 | 1 | 2g | 600mV/g |
| 1 | 0 | 4g | 300mV/g |
| 1 | 1 | 6g | 200mV/g |

SLEEP MODE FUNCTION

The MMA7260Q device features a sleep mode function, activated by a sleep mode option on the device's pinout. The sleep mode pin on the MMA7260Q is an active high pin, enabling the device 'on' when Vdd is applied to that particular Pin 12.

This is selectable on the evaluation board using either the INPUT/OUTPUT sleep mode Pad or the dip switch that is provided. When the dip switch is activated, the device is enabled. The same occurs with the Sleep Mode Pad. When the user attaches a 3.3 V or VDD voltage to this, the device will be enabled. A VCC connection to this pin will place the device in standby mode. If the device is enabled, the LED labeled sleep mode will be lit.

The sleep mode allows the MMA7260Q device to operate on standby at 5 μ A supply current. Regular operation uses 500 μ A of supply current.

MOUNTING CONSIDERATIONS

In [Figure 4](#) there is a diagram of the evaluation board and the corresponding axes due to the orientation of the device. System design and sensor mounting can affect the response of a sensor system. The placement of the sensor itself is critical to obtaining the desired measurements. It is important that the sensor be mounted as rigidly as possible to obtain

accurate results. Since the thickness and mounting of the board varies, parasitic resonance may distort the sensor measurement. Hence it is vital to fasten and secure to the largest mass structure of the system, i.e. the largest truss, the largest mass, the point closest to the source of vibration. On the other hand, dampening of the sensor device can absorb much of the vibration and give false readings as well. The evaluation board has holes in each of the four corners of the board for mounting. It is important to maintain a secure mounting scheme to capture the true motion.

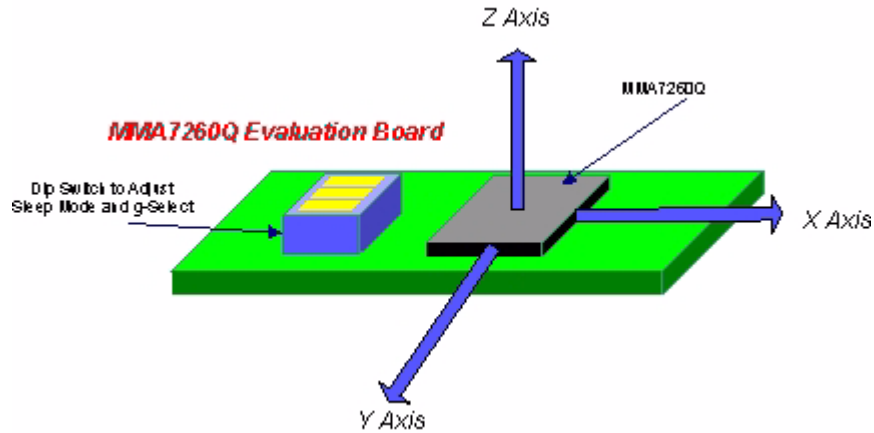


Figure 4. Board Orientation Corresponding to the Three Axes

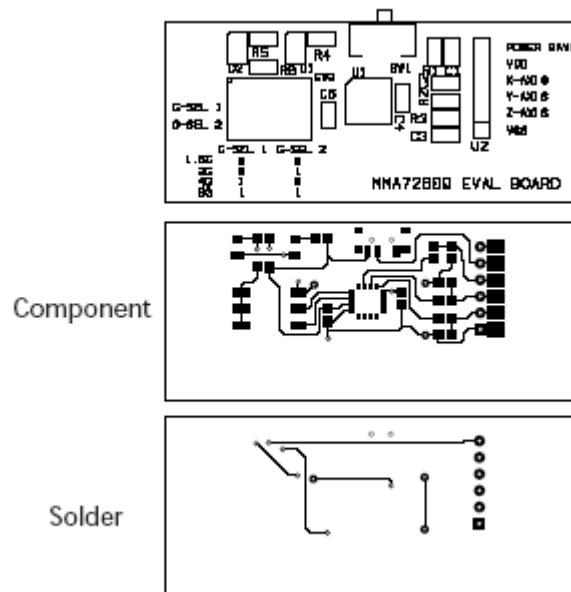


Figure 5. Board Layout for Component, Top Layer, and Bottom Layer

How to Reach Us:

Home Page:

www.freescale.com

E-mail:

support@freescale.com

USA/Europe or Locations Not Listed:

Freescale Semiconductor
Technical Information Center, CH370
1300 N. Alma School Road
Chandler, Arizona 85224
+1-800-521-6274 or +1-480-768-2130
support@freescale.com

Europe, Middle East, and Africa:

Freescale Halbleiter Deutschland GmbH
Technical Information Center
Schatzbogen 7
81829 Muenchen, Germany
+44 1296 380 456 (English)
+46 8 52200080 (English)
+49 89 92103 559 (German)
+33 1 69 35 48 48 (French)
support@freescale.com

Japan:

Freescale Semiconductor Japan Ltd.
Headquarters
ARCO Tower 15F
1-8-1, Shimo-Meguro, Meguro-ku,
Tokyo 153-0064
Japan
0120 191014 or +81 3 5437 9125
support.japan@freescale.com

Asia/Pacific:

Freescale Semiconductor Hong Kong Ltd.
Technical Information Center
2 Dai King Street
Tai Po Industrial Estate
Tai Po, N.T., Hong Kong
+800 2666 8080
support.asia@freescale.com

For Literature Requests Only:

Freescale Semiconductor Literature Distribution Center
P.O. Box 5405
Denver, Colorado 80217
1-800-441-2447 or 303-675-2140
Fax: 303-675-2150
LDCForFreescaleSemiconductor@hibbertgroup.com

Information in this document is provided solely to enable system and software implementers to use Freescale Semiconductor products. There are no express or implied copyright licenses granted hereunder to design or fabricate any integrated circuits or integrated circuits based on the information in this document.

Freescale Semiconductor reserves the right to make changes without further notice to any products herein. Freescale Semiconductor makes no warranty, representation or guarantee regarding the suitability of its products for any particular purpose, nor does Freescale Semiconductor assume any liability arising out of the application or use of any product or circuit, and specifically disclaims any and all liability, including without limitation consequential or incidental damages. "Typical" parameters that may be provided in Freescale Semiconductor data sheets and/or specifications can and do vary in different applications and actual performance may vary over time. All operating parameters, including "Typicals", must be validated for each customer application by customer's technical experts. Freescale Semiconductor does not convey any license under its patent rights nor the rights of others. Freescale Semiconductor products are not designed, intended, or authorized for use as components in systems intended for surgical implant into the body, or other applications intended to support or sustain life, or for any other application in which the failure of the Freescale Semiconductor product could create a situation where personal injury or death may occur. Should Buyer purchase or use Freescale Semiconductor products for any such unintended or unauthorized application, Buyer shall indemnify and hold Freescale Semiconductor and its officers, employees, subsidiaries, affiliates, and distributors harmless against all claims, costs, damages, and expenses, and reasonable attorney fees arising out of, directly or indirectly, any claim of personal injury or death associated with such unintended or unauthorized use, even if such claim alleges that Freescale Semiconductor was negligent regarding the design or manufacture of the part.

Freescale™ and the Freescale logo are trademarks of Freescale Semiconductor, Inc. All other product or service names are the property of their respective owners.

© Freescale Semiconductor, Inc. 2005. All rights reserved.

