

Secondary Lens

# Edixeon Secondary Lens

Approved By Customer	Designer	Checker	Approval






















Date : 2006/07/17

Version : 2.2

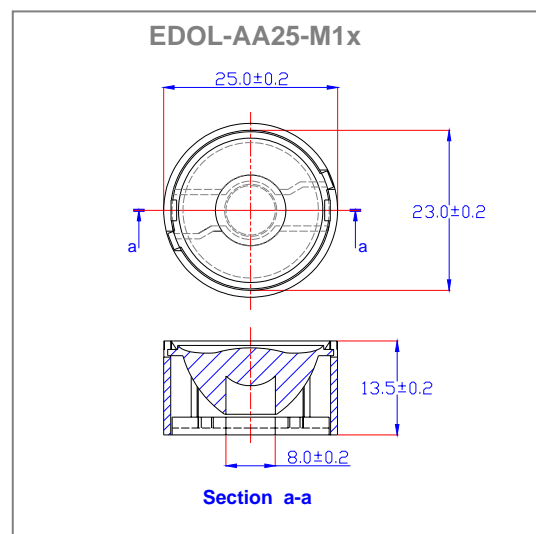
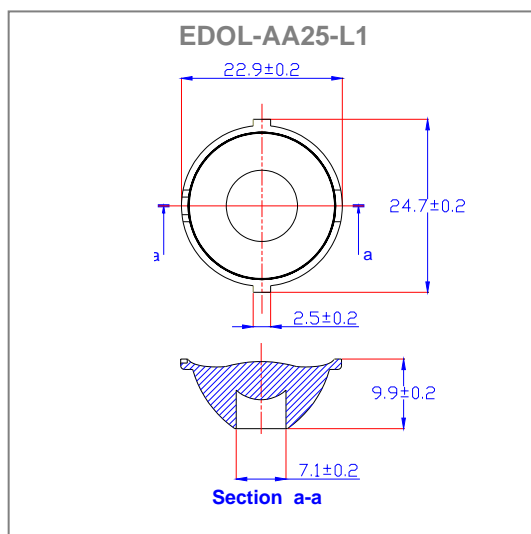
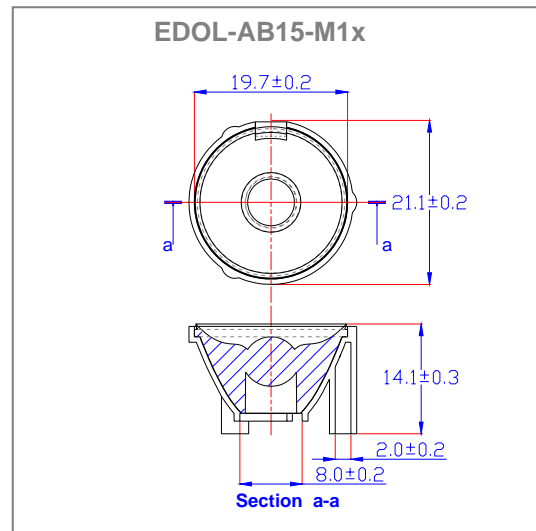
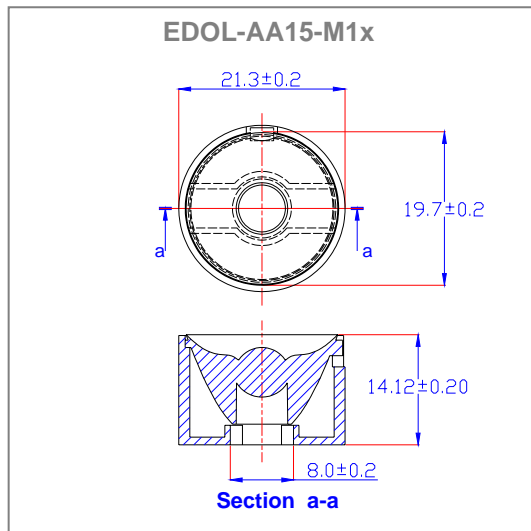
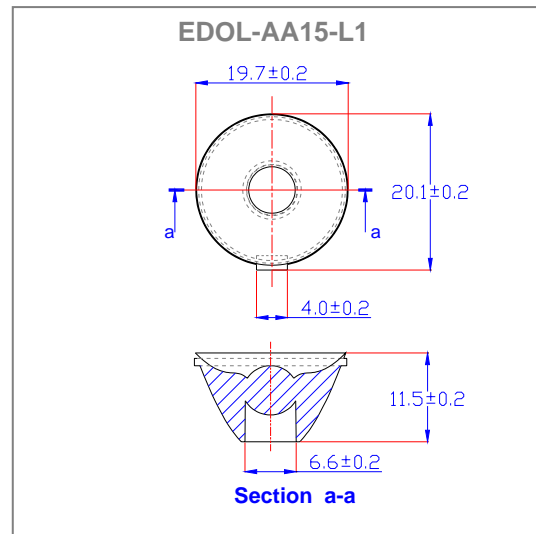
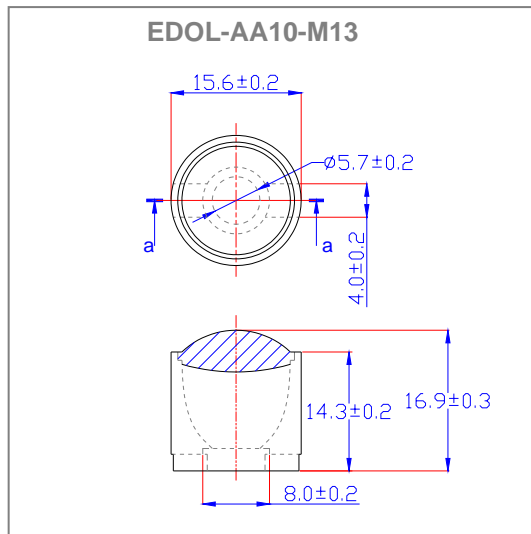
Device No. : 3-RD-01-E0004  
EDISON OPTO CORPORATION  
4F, No. 800, Chung-Cheng Rd,  
Chung-Ho, Taipei 235, Taiwan  
Tel: 886-2-8227-6996  
Fax: 886-2-8227-6997  
<http://www.edison-opto.com.tw>



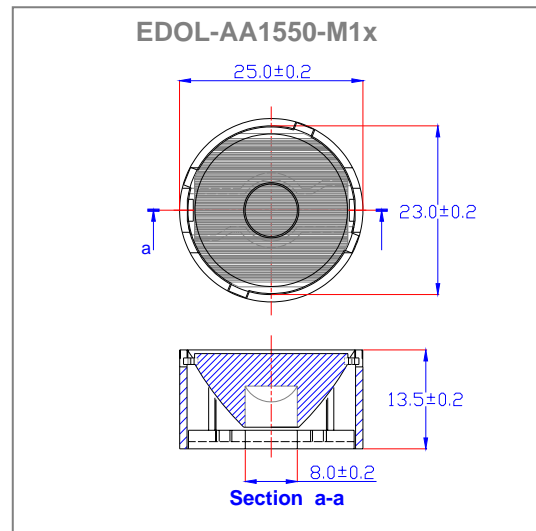
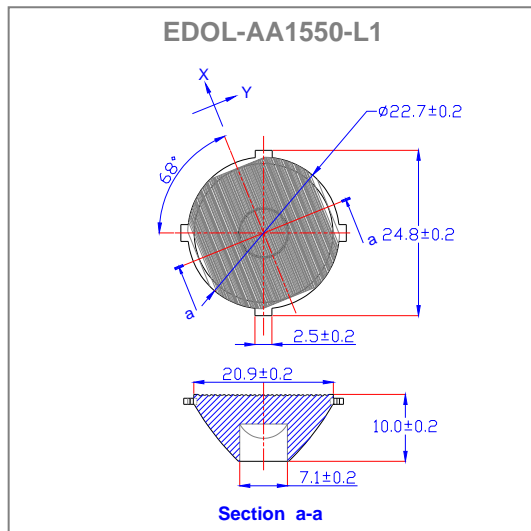
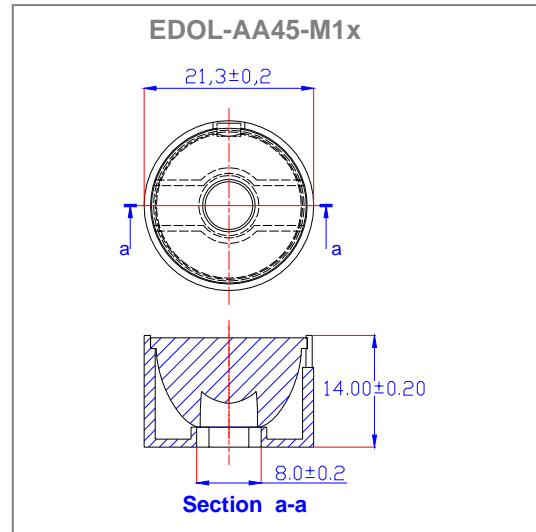
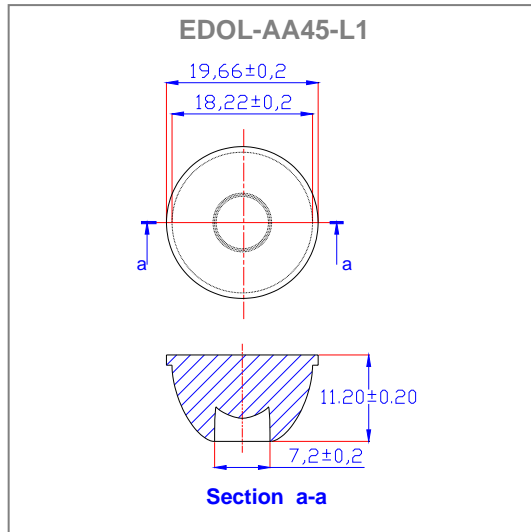
**Secondary Lens Series List:**

Angle	Collimator	Housing Color(with collimator)		
		Black	Clear	White
10°	--	<b>EDOL-AA10-M13</b> 	--	--
15°	<b>EDOL-AA15-L1</b> 	<b>EDOL-AA15-M11</b> 	<b>EDOL-AA15-M14</b> 	<b>EDOL-AA15-M15</b> 
45°	<b>EDOL-AA45-L1</b> 	<b>EDOL-AA45-M12</b> 	<b>EDOL-AA45-M14</b> 	<b>EDOL-AA45-M15</b> 
25°	<b>EDOL-AA25-L1</b> 	<b>EDOL-AA25-M12</b> 	<b>EDOL-AA25-M14</b> 	<b>EDOL-AA25-M15</b> 
15° (Type II)	<b>EDOL-AA15-L1</b> 	<b>EDOL-AB15-M11</b> 	<b>EDOL-AB15-M14</b> 	<b>EDOL-AB15-M15</b> 
1550° (Oval)	<b>EDOL-AA1550-L1</b> 	<b>EDOL-AA1550-M12</b> 	<b>EDOL-AA1550-M14</b> 	<b>EDOL-AA1550-M15</b> 

## Secondary Lens Series Outlines



## Secondary Lens Series Outlines



### Notes:

- All dimensions are in mm.
- All drawings are not to scale.
- All lens series work with lambertian emitter.
- During any assembly process touching lens is avoided. This will cause pollution or scratch on the surface of lens
- Care is required in assembly must be avoided dislocation between lens and holder.
- All lens are made from acrylic; do not operate at a temperature greater than 70°C.
- All optic parts are assembly tolerance below figure 1.

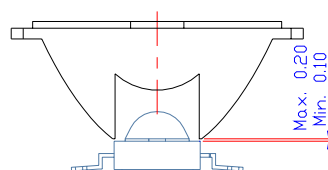
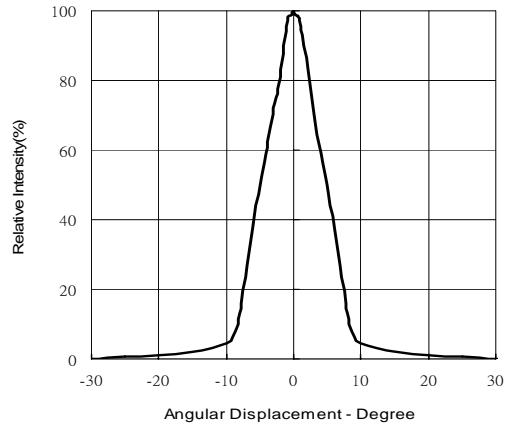


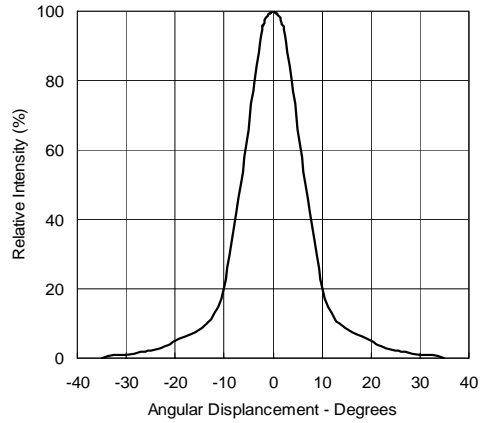
Figure 1: Assembly allowed tolerance

## Typical Radiation pattern for

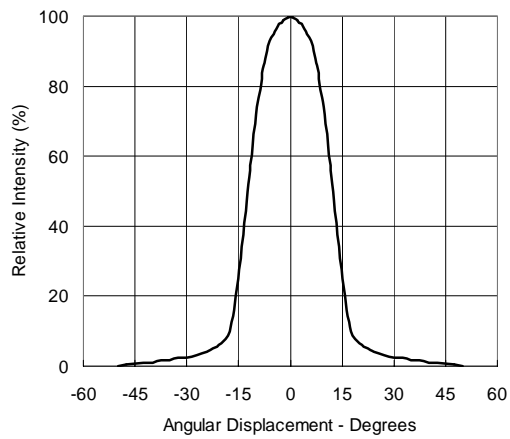
**EDOL-AA10-M13**



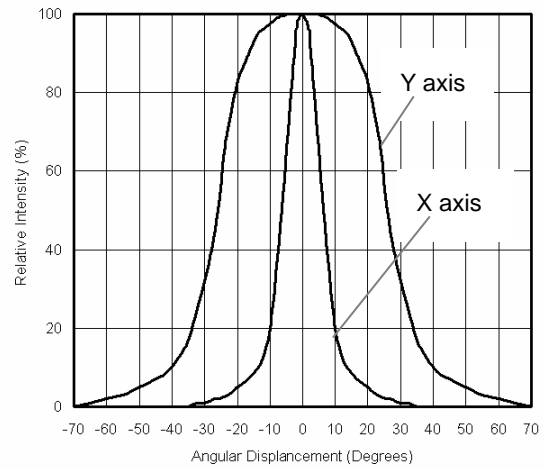
**EDOL-AA15-L1**



**EDOL-AA25-L1**



**EDOL-AA1550-L1**



**EDOL-AA45-L1**

