

Edixeon[®] S series



Edixeon[®] emitters are built with packages designed specifically for High Power LED. S series, the latest addition to Edixeon[®] family, utilize the advanced special manufacturing process by Edison Opto.

S series can be driven at a current rating from 350mA to 700mA as you desire. With its versatility and exceptional luminous flux output, S series is simply the ideal choice for your various illumination needs.

Features

- Low voltage operation
- Instant on
- Long life

Typical Applications

- Stage Lighting
- Up-lights and Down-lights
- LCD Backlights
- Contour lights
- Ceiling lights
- Garden lighting
- Decoration lights
- Architectural lighting
- Beacon light

Table of Contents

Product Nomenclature	2
Environmental Compliance	3
LED Package Dimensions and Polarity	4
LED Package with Star Dimensions and Polarity	5
Absolute Maximum Ratings	6
Luminous Flux Characteristics	7
Forward Voltage Characteristics	8
Reliability Items and Failure Measures	9
Color Spectrum and Radiation Pattern.....	10
JEDEC Information	13
Optical & Electrical Characteristics	14
Product Soldering Instructions	20
Product Thermal Application Information	24
Product Electrical Application Information.....	29
Product Packaging Information	30
Star Product Packaging Information.....	32

Product Nomenclature

The following table describes the available color, power, and lens type. For more flux and forward voltage information, please consult the Bin Group document.

< Table 1 Edixeon® S series nomenclature >

X1		X2		X3		X4		X5		X6		
LED Item		Module		Emitting Color		Power		Lens Item		Housing Item		
Code	Type	Code	Type	Code	Type	Code	Type	Code	Type	Code	Type	
ED	Edixeon®	E	Emitter	R	Red	●	S	Stage	L	Lambertian (140°)	A	White
		S	Star	A	Amber	●		Lighting				
				T	True Green	●						
				B	Blue	●						

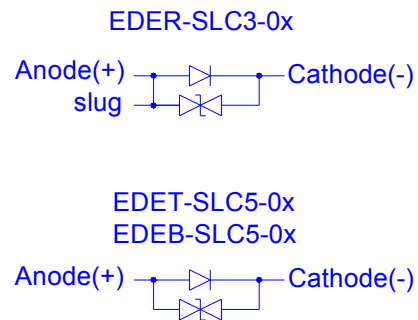
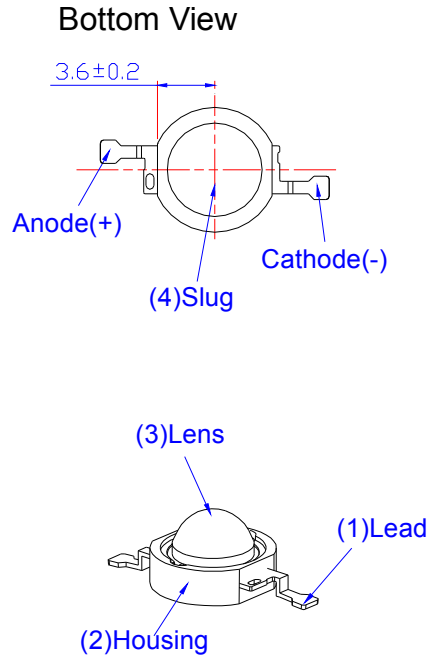
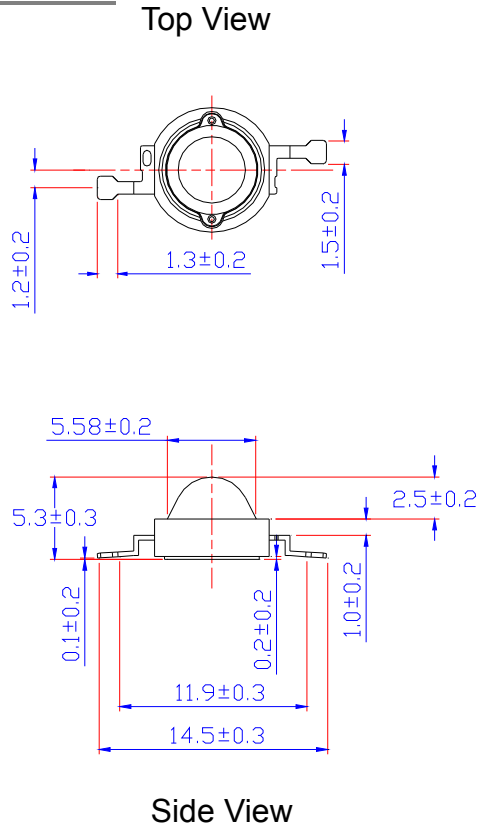
X7		X8		X9		X10		X11		X12	
Material		Phosphor Item		Testing Current		Shape Item		AI PCB Color		Thickness	
				Code	Type	Code	Type	Code	Type	Code	Type
				1	350mA	A	Star	W	White	10	1.0mm
				3	700mA	B	Square(25*25mm)	G	Green	16	1.6mm
						C	Square(30*30mm)	B	Black	20	2.0mm

Environmental Compliance

Edixeon[®] S series are compliant to the Restriction of Hazardous Substances Directive or RoHS. The restricted materials including lead, mercury cadmium hexavalent chromium, polybrominated biphenyls (PBB) and polybrominated diphenyl ether (PBDE) are not used in Edixeon[®] S series to provide an environmentally friendly product to the customers.

LED Package Dimensions and Polarity

Lambertian



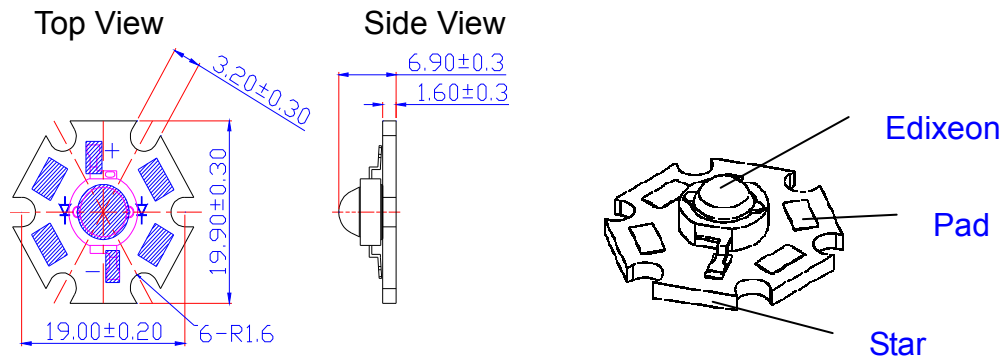
< Figure 1 Edixeon[®] S series dimensions >

Notes:

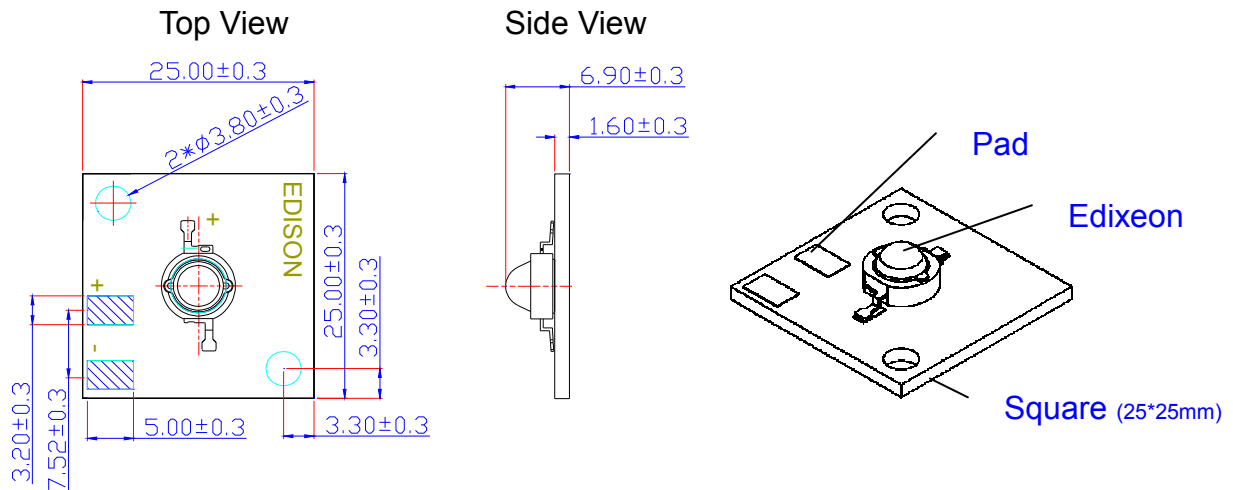
1. All dimensions are measured in mm.

LED Package with Star Dimensions and Polarity

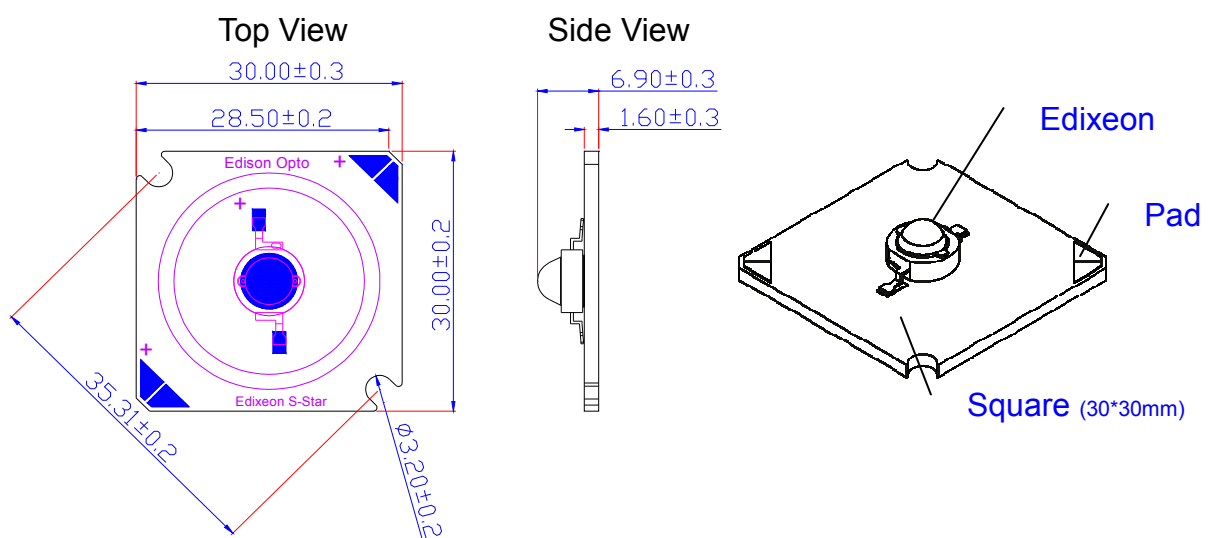
EDSx-SLCx-xx-Ax16



EDSx-SLCx-xx-Bx16



EDSx-SLCx-xx-Cx16



<Figure 2 Edixeon® star dimensions>

Notes:

1.All Dimensions are in mm.

Absolute Maximum Ratings

The following tables describe the characteristics of Edixeon[®] S series under various current.

< Table 2 Edixeon[®] S series absolute maximum ratings >

Parameter	Rating	Unit	Symbol
DC Forward Current	700	mA	I _F
Peak pulse current (tp ≤ 100μs, Duty cycle=0.25)	1,000	mA	
Reverse Voltage	5	V	V _R
Drive Voltage	5	V	V _D
LED junction Temperature	125	°C	T _J
Operating Temperature	-30 ~ +110	°C	
Storage Temperature	-40 ~ +120	°C	
Storage Relative Humidity	60	%	
ESD Sensitivity	4,000	V	V _B
Manual Soldering Time at 260°C (Max.)	5	Sec.	

Notes:

1. Proper current derating must be observed to maintain junction temperature below the maximum at all time.
2. LEDs are not designed to be driven in reverse bias.
3. tp: Pulse width time

The following table describes thermal resistance of Edixeon[®] S series.

< Table 3 Thermal Resistance Junction to Solder Pad Characteristics at T_J=25°C for Edixeon[®] S series >

Part Name	Typ.	R _{θJ-B}	Unit
EDER-SLC3-0x	14		°C/W
EDET-SLC5-0x	13		°C/W
EDEB-SLC5-0x	13		°C/W

Luminous Flux Characteristics

The following tables describe flux of Edixeon[®] S series under various current and different color.

< Table 4 Luminous flux characteristics at $I_F=350\text{mA}$ and $T_J=25^\circ\text{C}$: >

Lens Item	Part Name	Color	Flux			Unit
			Min.	Typ.	Max.	
Lambertian	EDER-SLC3-01	Red	30.3	45.0	--	lm
	EDET-SLC5-01	True Green	51.2	70.0	--	lm
	EDEB-SLC5-01	Blue	8.2	13.0	--	lm

< Table 5 Luminous flux characteristics at $I_F=700\text{mA}$ and $T_J=25^\circ\text{C}$: >

Lens Item	Part Name	Color	Flux			Unit
			Min.	Typ.	Max.	
Lambertian	EDER-SLC3-03	Red	51.2	75.0	--	lm
	EDET-SLC5-03	True Green	86.5	120.0	--	lm
	EDEB-SLC5-03	Blue	13.8	20.0	--	lm

Notes:

1. Flux is measured with an accuracy of $\pm 10\%$
2. Blue power light source represented here is IEC60825 class 2 for eye safety.
3. Red and true green light source represented here are IEC60825 class 1 for eye safety.

Forward Voltage Characteristics

The following table describes forward voltage of Edixeon[®] S series under various current.

< Table 6 Forward voltage characteristics at $I_F=350\text{mA}\sim 700\text{mA}$ and $T_J=25^\circ\text{C}$ >

Lens Item	Part Name	Forward Current (mA)	V_F			Unit
			Min.	Typ.	Max.	
Lambertian	EDER-SLC3-01		1.75	--	2.75	V
	EDET-SLC5-01	350	3.1	--	4.0	
	EDEB-SLC5-01		3.1	--	4.0	
	EDER-SLC3-03		2.0	--	3.0	
	EDET-SLC5-03	700	3.4	--	4.3	
	EDEB-SLC5-03		3.4	--	4.3	

Note:

1. Forward voltage is measured with an accuracy of $\pm 0.1\text{V}$

Reliability Items and Failure Measures

Reliability test

The following table describes operating life, mechanical, and environmental tests performed on Edixeon® S series package.

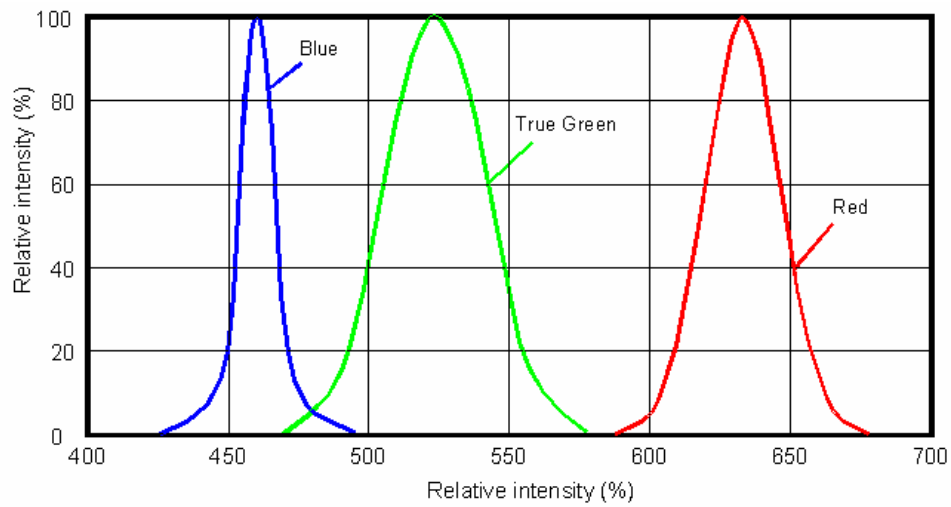
< Table 7 Operating life, mechanical, and environmental characteristics at $I_F=350\text{mA}\sim 1000\text{mA}$ and $T_J=25^\circ\text{C}$ >

Stress Test	Stress Conditions	Stress Duration	Failure Criteria
Room Temperature Operating Life	25°C, $I_F = \text{max DC}$ (Note 1)	1,000 hours	Note 2
High Temperature High Humidity	85°C / 85%RH	1,000 hours	Note 2
Temperature Cycle	-40°C/100°C ,30 min dwell / <5min transfer	500 cycles	Note 2
High Temperature Storage Life	110°C	1,000 hours	Note 2
Low Temperature Storage Life	-40°C	1,000 hours	Note 2
Thermal Shock	-40 / 125°C, 15 min dwell / < 10 sec transfer	1,000 cycles	No catastrophics
Mechanical Shock	1500 G, 0.5 msec pulse, 5 shocks each of 6 axis		No catastrophics
Solder Heat Resistance (SHR)	260°C ± 5°C, 10 sec		No catastrophics

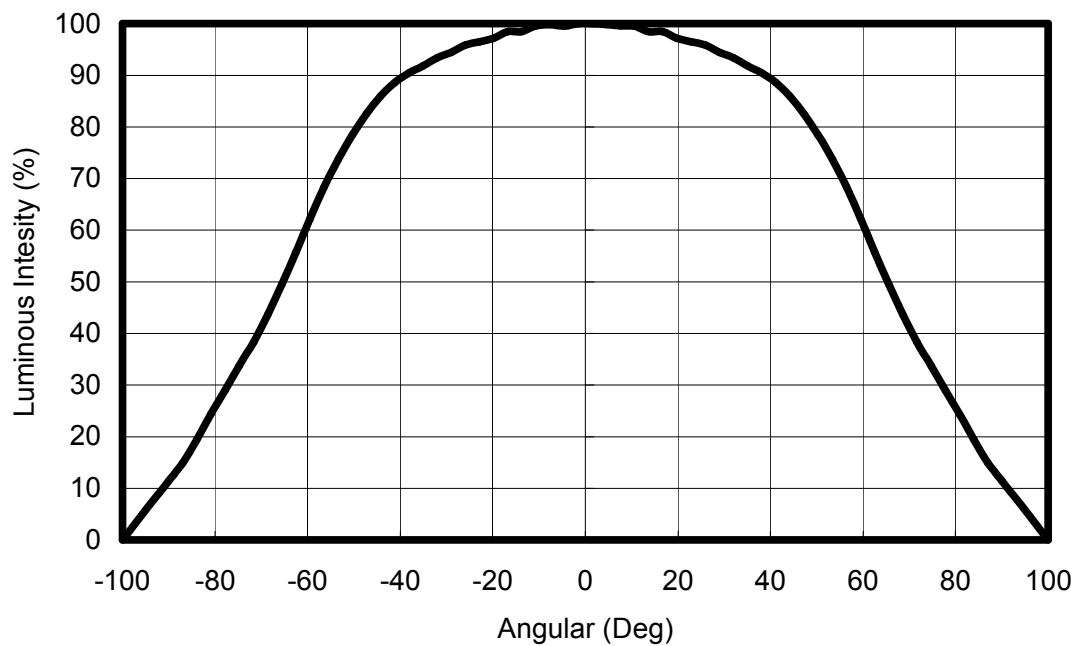
Notes:

1. Depending on the maximum derating curve.
2. Failure Criteria:
 - Electrical failures
 - V_F shift $\geq 10\%$
 - Light Output Degradation
 - % I_v shift $\geq 30\%$ @1,000hrs or 200cycle
 - Visual failures
 - Broken or damaged package or lead
 - Solderability < 95% wetting
 - Dimension out of tolerance

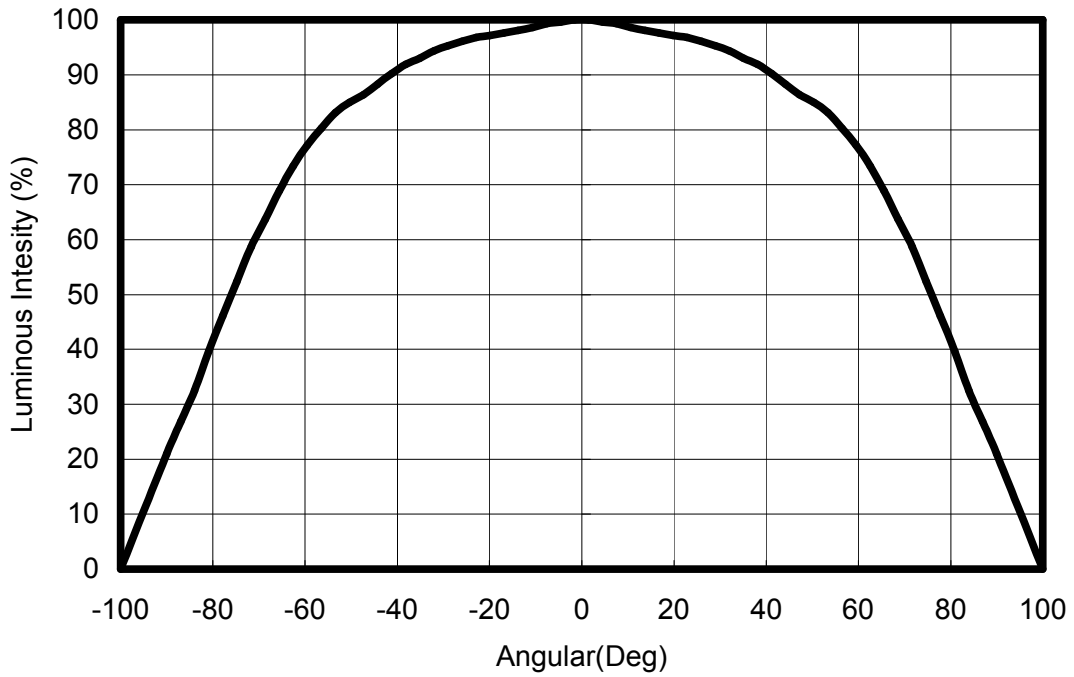
Color Spectrum and Radiation Pattern



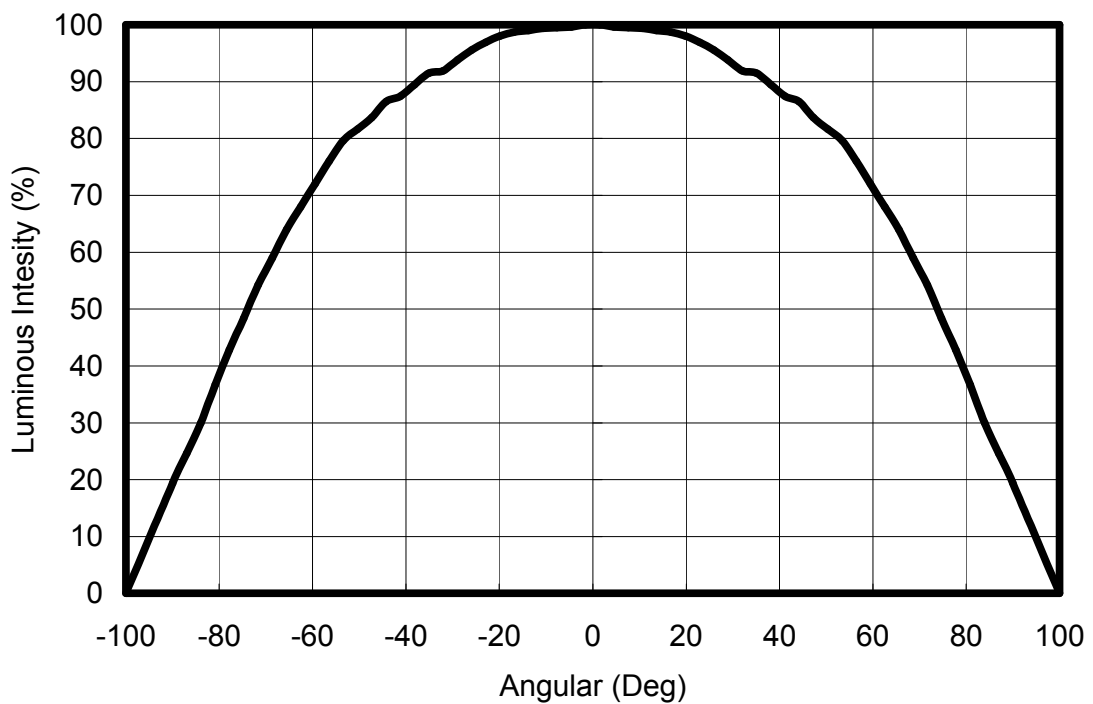
<Figure 3.Color spectrum at $T_j = 25^\circ\text{C}$.for Edixeon[®] S series >



< Figure 4.Lambertain Relative Intensity vs. Angular for EDER-SLC3 at $T_j = 25^\circ\text{C}$.>



< Figure 5.Lambertain Relative Intensity vs. Angular for EDET-SLC5 at $T_j=25^{\circ}\text{C}$.>



< Figure 6.Lambertain Relative Intensity vs. Angular for EDEB-SLC5 at $T_j=25^{\circ}\text{C}$.>

Color Temperature or Dominant Wavelength Characteristics

< Table 8 Dominant Wavelength Characteristics at $T_J=25^\circ\text{C}$ >

Lens Item	Part Name	Color	λ_d			Unit
			Min.	Typ.	Max.	
Lambertian	EDER-SLC3-0x	Red	620	--	630	nm
	EDET-SLC5-0x	True Green	520	--	535	nm
	EDEB-SLC5-0x	Blue	455	--	465	nm

Emission Angle Characteristics

< Table 9 Emission angle characteristics at $T_J=25^\circ\text{C}$ >

Lens Item	Part Name	$2\theta_{1/2}$ (Typ.)	Unit
		Lambertian	
Lambertian	EDER-SLC3-0x	130	Deg.
	EDET-SLC5-0x	150	Deg.
	EDEB-SLC5-0x	145	Deg.

JEDEC Information

JEDEC has defined a moisture sensitivity classification. So that the users can properly store and handle the devices and to avoid subsequent thermal and mechanical damage during the assembly reflow attachment or repair operation.

The present moisture sensitivity standard contains six levels, the lower the level, the longer the devices floor life. Edixeon[®] K series are certified at level 2a. This means Edixeon[®] K series have a floor life of 4 weeks before K series need to re-baked.

< Table 10 JEDEC characteristics at $I_F=350\text{mA}/700\text{mA}/1000\text{mA}$ and $T_J=25^\circ\text{C}$ >

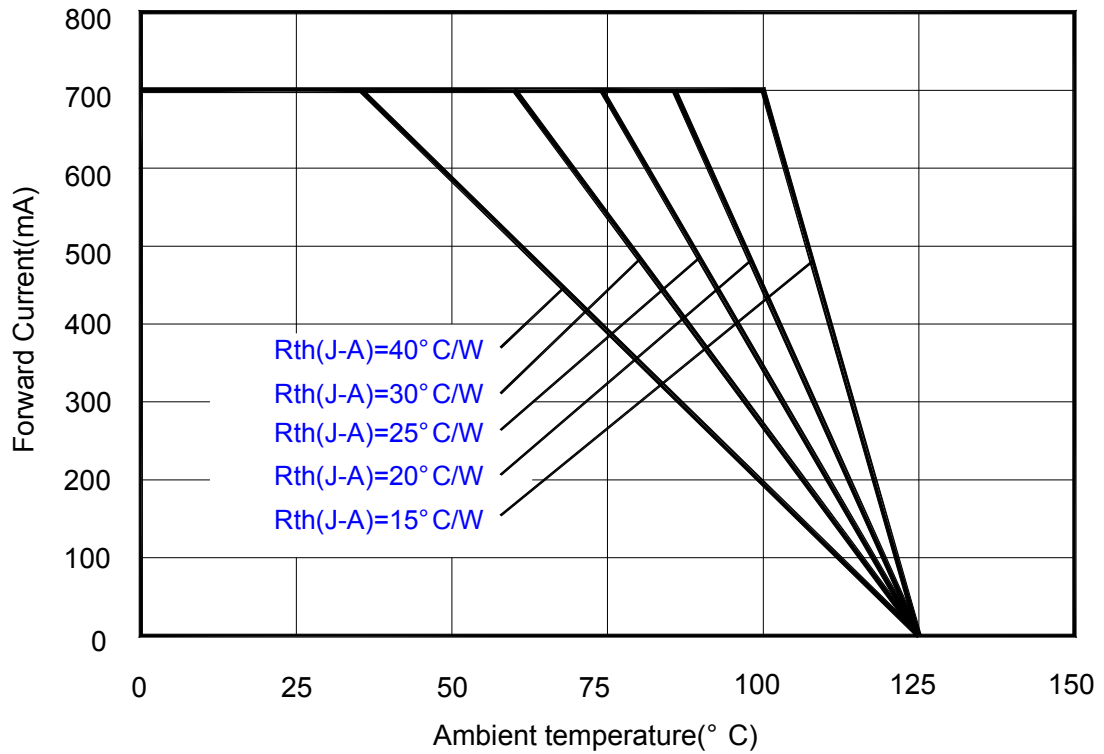
Level	Floor Life		Soak Requirements				
			Standard		Accelerated Equivalent		
	Time	Condition			Time(hours)	Condition	eV 0.40~0.48 Time(hours)
4	72 hours	$\leq 30^\circ\text{C}/60\% \text{RH}$	$96^1 +5/-0$	$30^\circ\text{C}/60\% \text{RH}$	$20 +5/-0$	$24 +5/-0$	$60^\circ\text{C}/60\% \text{RH}$

Level	Floor Life		Soak Requirements				
			Standard		Accelerated Equivalent		
	Time	Condition			Time(hours)	Condition	eV 0.40~0.48 Time(hours)
1	Unlimited	$\leq 30^\circ\text{C}/85\% \text{RH}$	$168 +5/-0$	$85^\circ\text{C}/85\% \text{RH}$	NA	NA	NA
2	1 year	$\leq 30^\circ\text{C}/60\% \text{RH}$	$168 +5/-0$	$85^\circ\text{C}/60\% \text{RH}$	NA	NA	NA
2a	4 weeks	$\leq 30^\circ\text{C}/60\% \text{RH}$	$696^1 +5/-0$	$30^\circ\text{C}/60\% \text{RH}$	$120 +1/-0$	$168 +1/-0$	$60^\circ\text{C}/60\% \text{RH}$
3	168 hours	$\leq 30^\circ\text{C}/60\% \text{RH}$	$192^1 +5/-0$	$30^\circ\text{C}/60\% \text{RH}$	$40 +5/-0$	$52 +5/-0$	$60^\circ\text{C}/60\% \text{RH}$
4	72 hours	$\leq 30^\circ\text{C}/60\% \text{RH}$	$96^1 +5/-0$	$30^\circ\text{C}/60\% \text{RH}$	$20 +5/-0$	$24 +5/-0$	$60^\circ\text{C}/60\% \text{RH}$
5	48 hours	$\leq 30^\circ\text{C}/60\% \text{RH}$	$72^1 +5/-0$	$30^\circ\text{C}/60\% \text{RH}$	$15 +5/-0$	$20 +5/-0$	$60^\circ\text{C}/60\% \text{RH}$
5a	24 hours	$\leq 30^\circ\text{C}/60\% \text{RH}$	$48^1 +5/-0$	$30^\circ\text{C}/60\% \text{RH}$	$10 +5/-0$	$13 +5/-0$	$60^\circ\text{C}/60\% \text{RH}$
6	Time on label (TOL)	$\leq 30^\circ\text{C}/60\% \text{RH}$	TOL	$30^\circ\text{C}/60\% \text{RH}$	NA	NA	NA

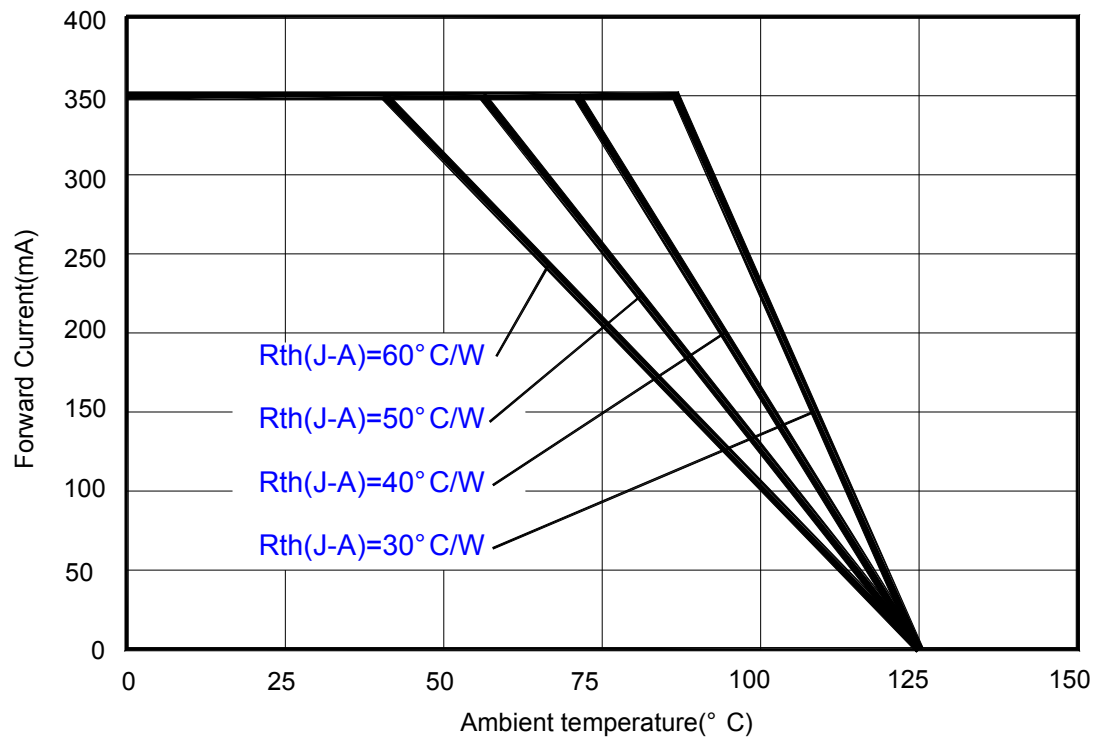
Note:

- The standard soak time includes a default value of 24 hours for semiconductor manufacturer's exposure time (MET) between bake and bag, and includes the maximum time allowed out of the bag at the distributor's facility.

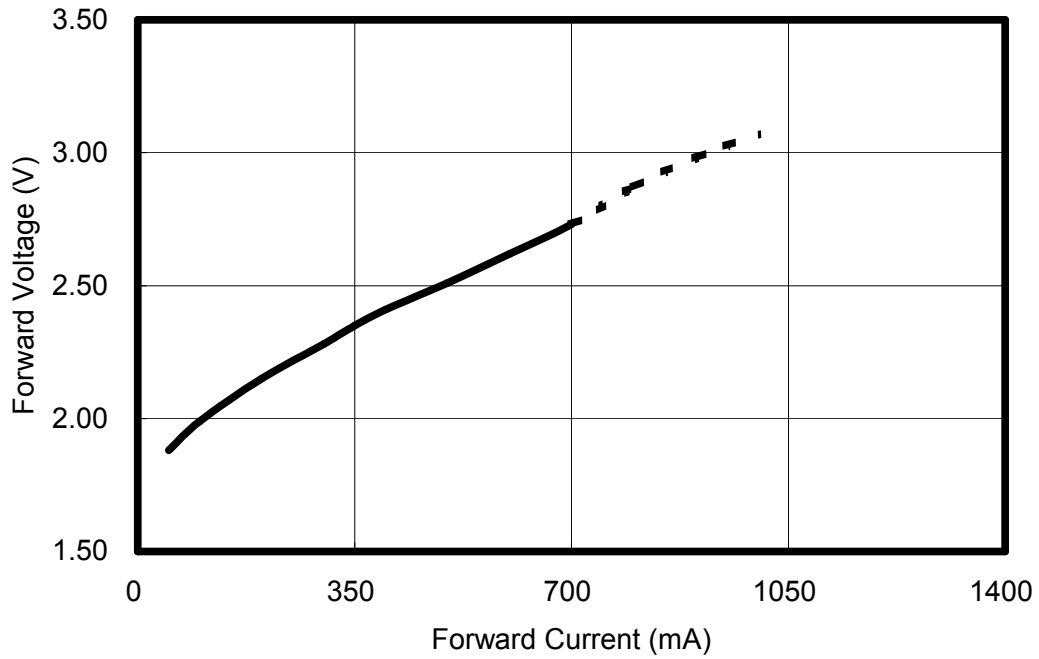
Optical & Electrical Characteristics



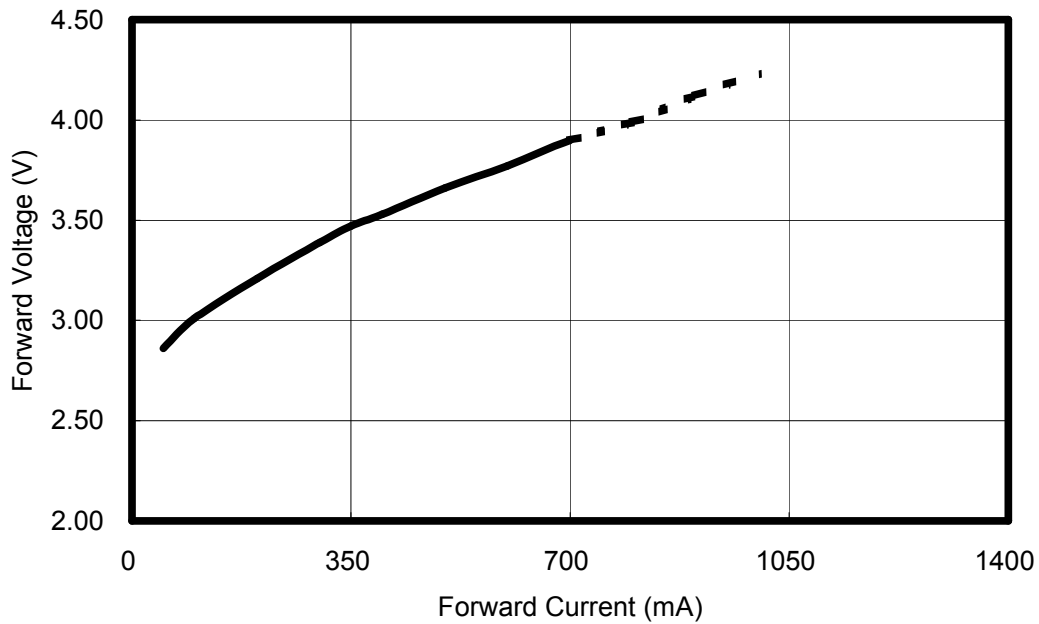
<Figure 7 Forward current & ambient temperature at 700mA>



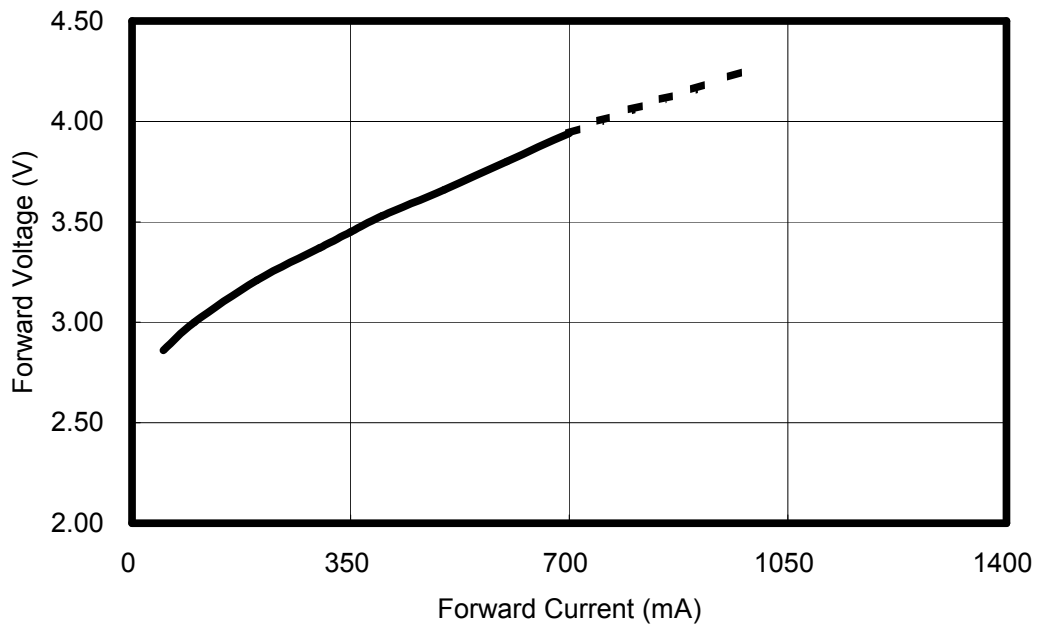
< Figure 8 Forward current & ambient temperature at 350mA >



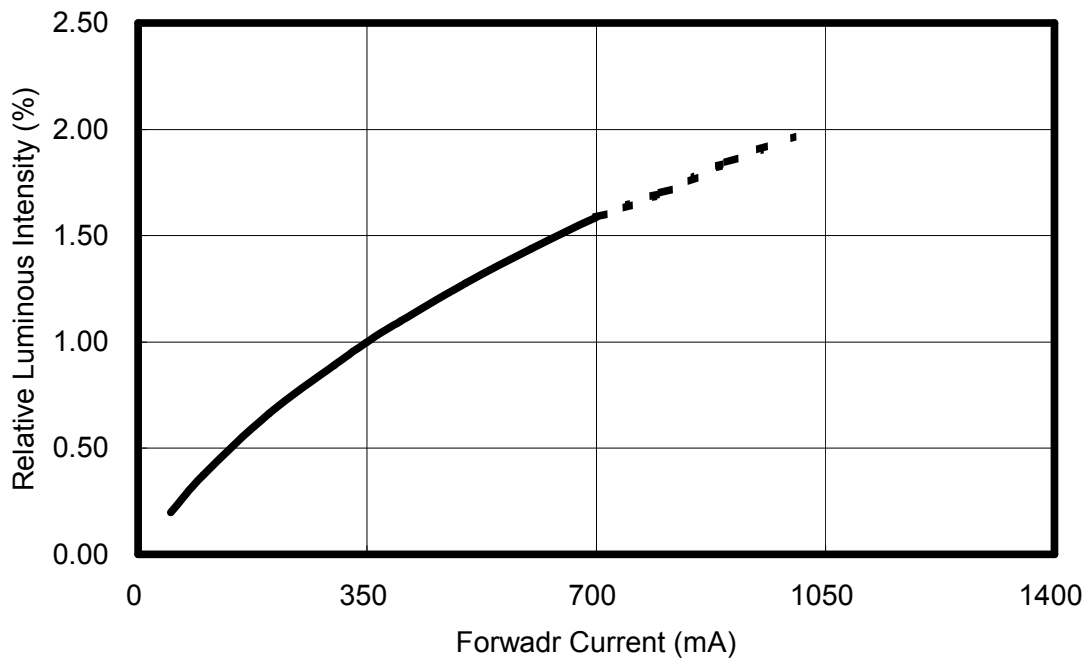
< Figure 9 Forward current & forward voltage for EDER-SLC3 at $T_J=25^{\circ}\text{C}$ >



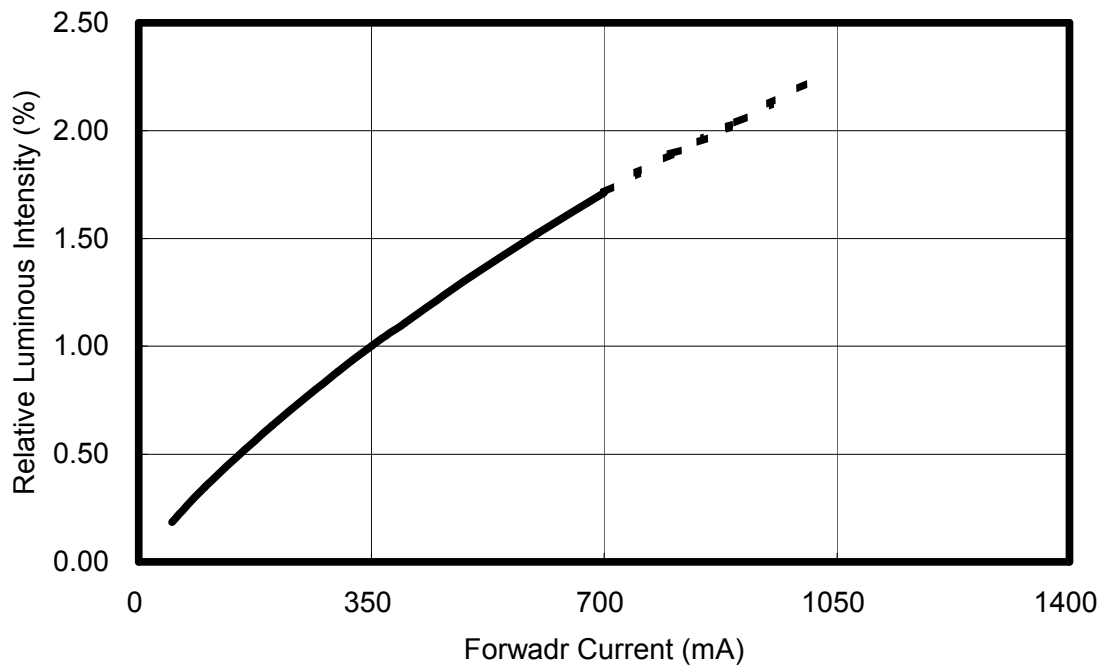
< Figure 10 Forward current & forward voltage for EDET-SLC5 at $T_J=25^{\circ}\text{C}$ >



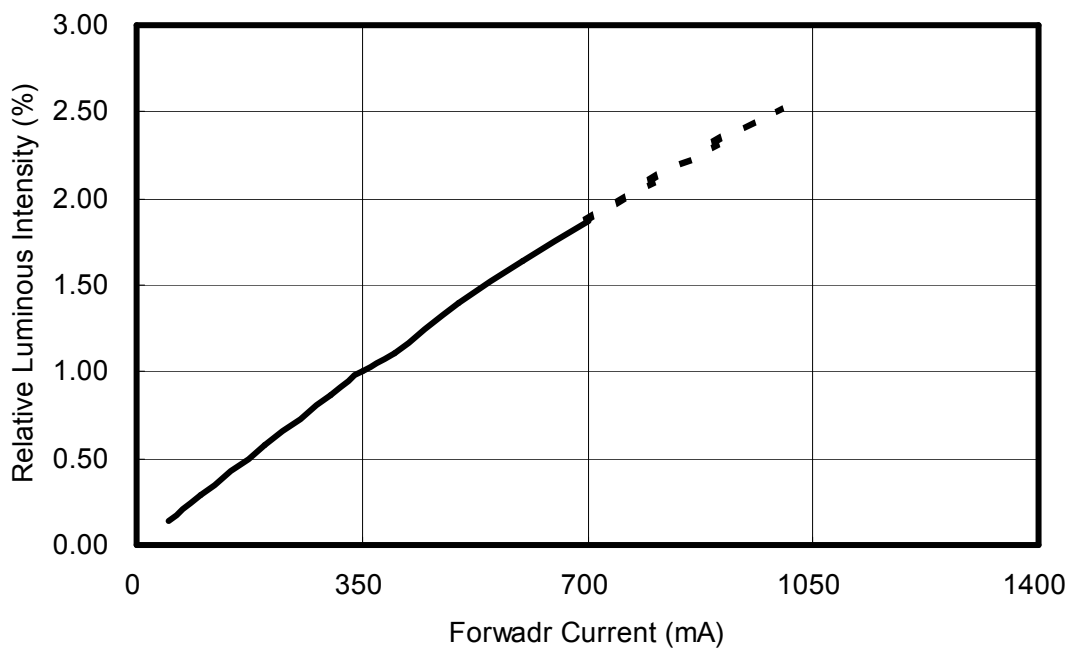
< Figure 11 Forward current & forward voltage for EDEB-SLC5 at $T_j=25^{\circ}\text{C}$ >



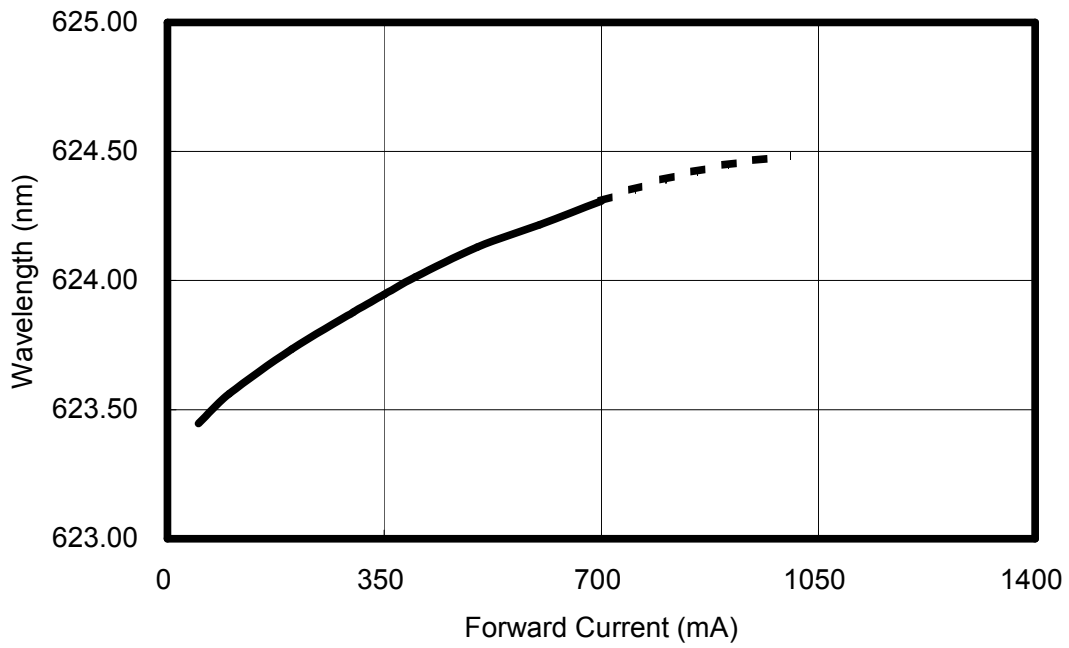
<Figure 12 Forward current & relative luminous for EDER-SLC3 at $T_j=25^{\circ}\text{C}$ >



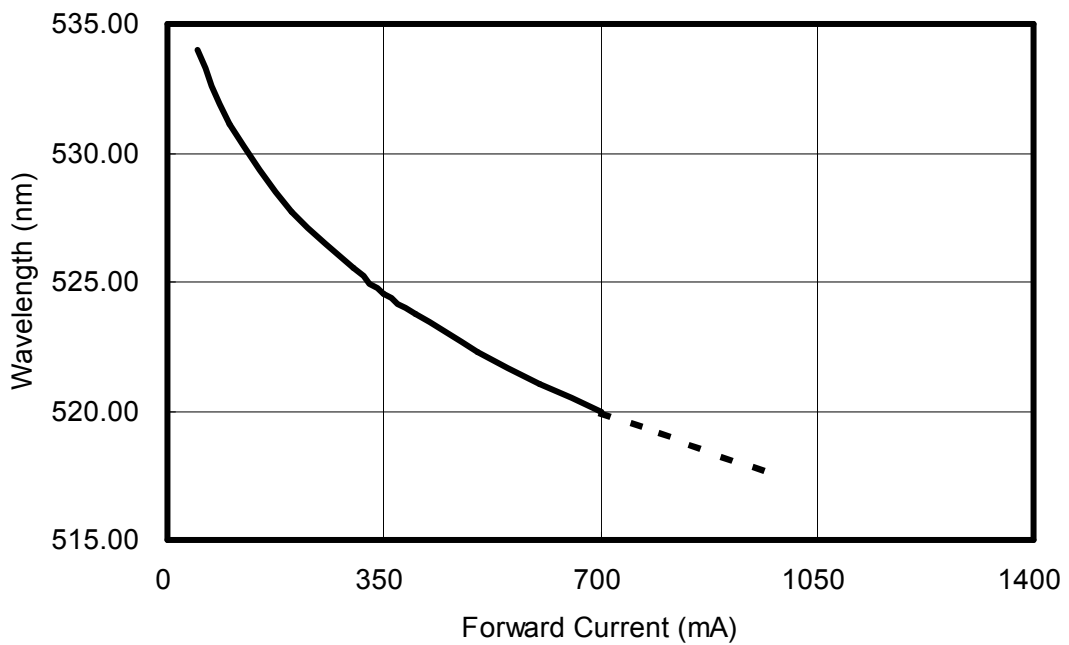
<Figure 13 Forward current & relative luminous for EDET-SLC5 at T_j=25°C>



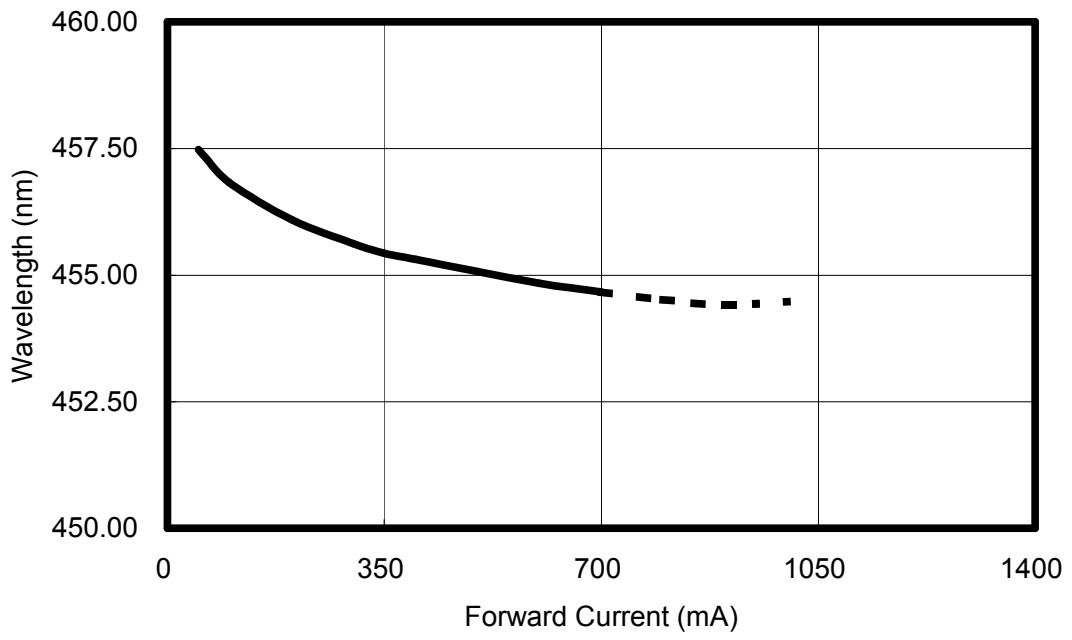
<Figure 14 Forward current & relative luminous for EDEB-SLC5 at T_j=25°C>



<Figure 15 Forward current & wavelength for EDER-SLC3 at $T_j=25^{\circ}\text{C}$ >



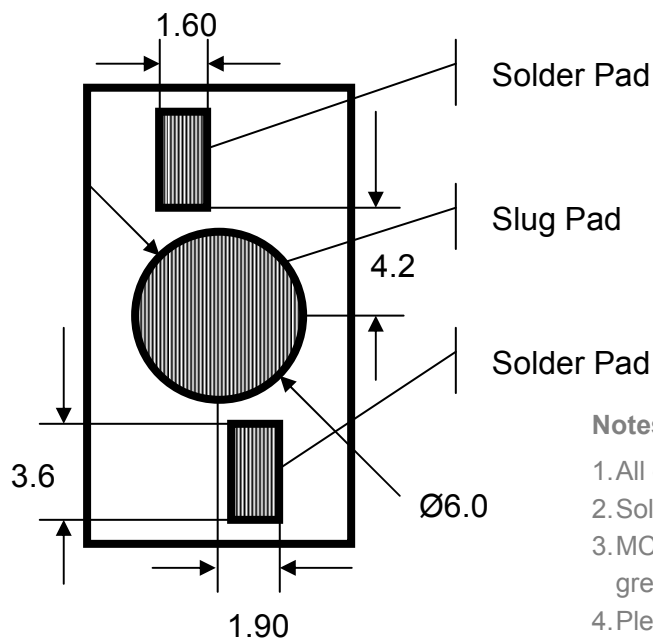
<Figure 16 Forward current & wavelength for EDET-SLC5 at $T_j=25^{\circ}\text{C}$ >



<Figure 17 Forward current & wavelength for EDEB-SLC5 at $T_J=25^{\circ}\text{C}$ >

Product Soldering Instructions

The central circle pad at the bottom face of the package provides the main path for heat dissipation from the LED to the heat sink (heatsink contact).



< Figure 18 Pad dimensions >

Notes:

1. All dimensions are measured in mm.
2. Solder pad cannot be connected to slug pad.
3. MCPCB material with a thermal conductivity greater than 3.0 W/mK.
4. Please avoid touching the Edixeon[®] lens during assembly processes. This may cause pollution or scratch on the surface of lens.

The choice of solder and the application method will dictate the specific amount of solder. For most consistent results, an automated dispensing system or a solder stencil printer is recommended.

Positive results will be used solder thickness that results in 50µm. The lamp can be placed on the PCB simultaneously with any other required SMD devices and reflow completed in a single step. Automated pick-and-place tools are recommended.

The central slug at the bottom face of the package provides the main path for heat dissipation from the LED to the heat sink (heat sink contact). A key feature of Edixeon[®] emitter is an electrically neutral heat path that is separate from the LED's electrical contacts. This electrically isolated thermal pad makes Edixeon[®] emitter perfect for use with metal-core printed circuit boards (MCPCB).

Recommend Solder Steps

To prevent mechanical failure of LEDs in the soldering process, a carefully controlled preheat and post-cooling sequence is necessary. The heating rate in an IR furnace depends on the absorption coefficients of the material surfaces and on the ratio of the component's mass to its irradiated surface. The temperature of parts in an IR furnace, with a mixture of radiation and convection, cannot be determined in advance.

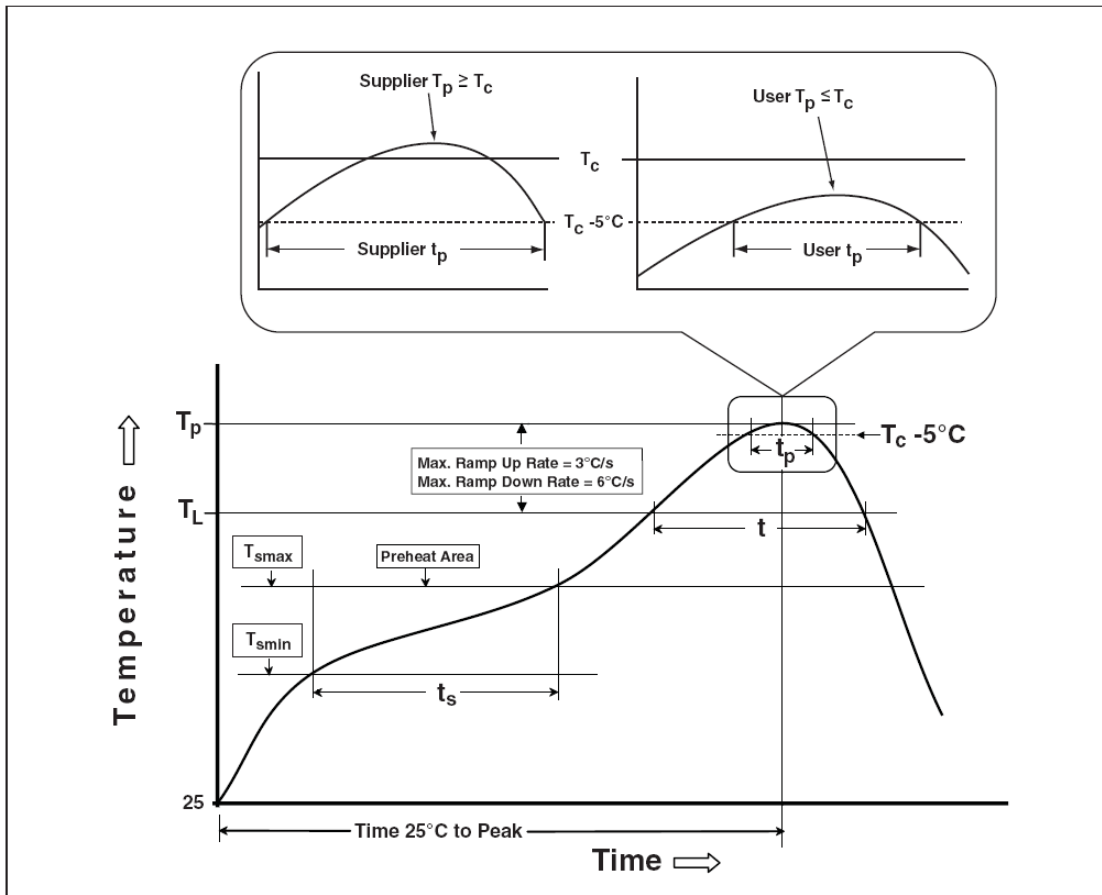
Temperature measurement may be performed by measuring the temperature of a specific component while it is being transported through the furnace. Influencing parameters on the internal temperature of the component are as follows:

- Time and power
- Mass of the component (for Edixeon[®] S series on MCPCB)
- Size of the MCPCB
- Absorption coefficient of the surfaces and MCPCB
- Packing density

Peak temperatures can vary greatly across the MCPCB during IR processes. The variables that contribute to this wide temperature range include the furnace type and the size, mass and relative location of the components on the board. Profiles must be carefully tested to determine the hottest and coolest points on the board. The hottest and coolest points should fall within the recommended temperatures. The profile of the reflow system should be based on design needs, the selected solder system and the solder-paste manufacturer's recommended reflow profile.

Recommended Profile for Reflow Soldering

The following reflow soldering profiles are provided for reference. It is recommended that users follow the recommended soldering profile provided by the manufacturer of the solder paste used.



< Figure 19 Reflow profiles >

Table of Classification Reflow Profiles

< Table 10 Reflow profiles >

Profile Feature	Sn-Pb Eutectic Assembly	Pb-Free Assembly
Preheat & Soak Temperature min (T _{min}) Temperature max (T _{max}) Time (T _{min} to T _{max}) (ts)	100 °C 150 °C 60-120 seconds	150 °C 200 °C 60-120 seconds
Average ramp-up rate (T _{max} to T _p)	3 °C/second max.	3 °C/second max.
Liquidous temperature (TL) Time at liquidous (tL)	183 °C 60-150 seconds	217 °C 60-150 seconds
Peak package body temperature (T _p)*	230 °C ~235 °C *	255 °C ~260 °C *
Classification temperature (T _c)	235 °C	260 °C
Time (t _p)** within 5 °C of the specified classification temperature (T _c)	20** seconds	30** seconds
Average ramp-down rate (T _p to T _{max})	6 °C/second max.	6 °C/second max.
Time 25 °C to peak temperature	6 minutes max.	8 minutes max.

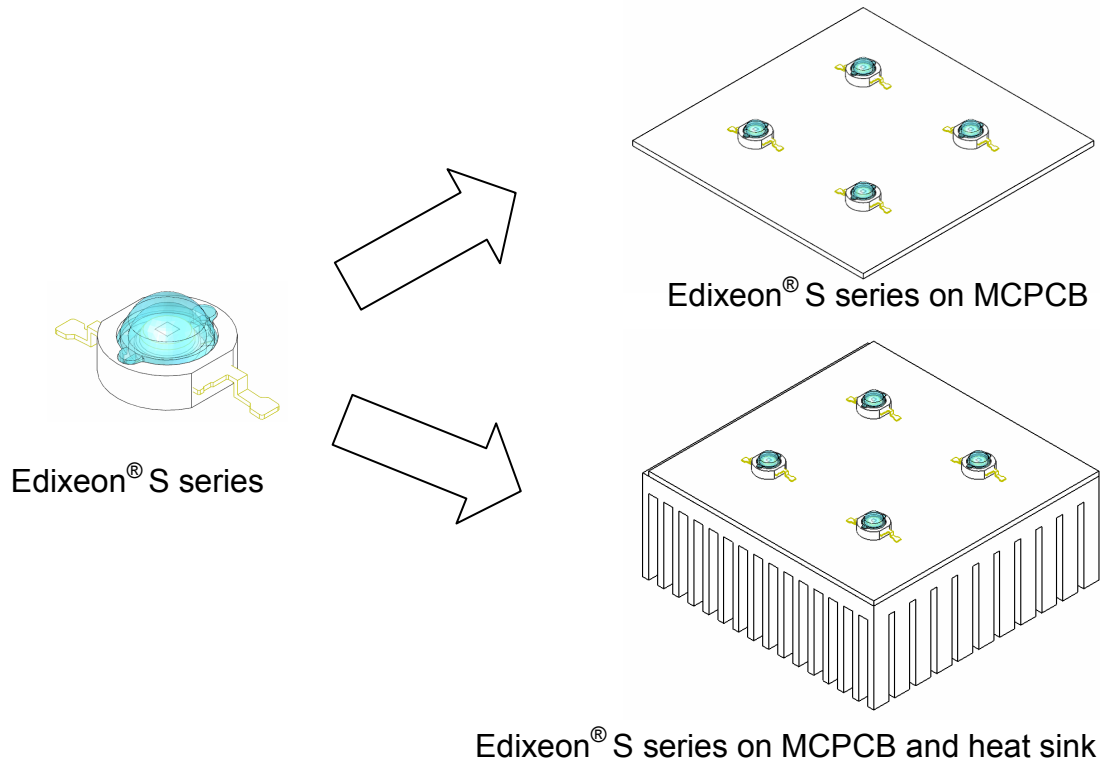
* Tolerance for peak profile temperature (T_p) is defined as a supplier minimum and a user maximum.

** Tolerance for time at peak profile temperature (t_p) is defined as a supplier minimum and a user maximum.

Product Thermal Application Information

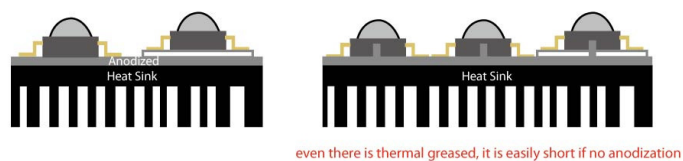
Thermal grease should be evenly spreaded with a thickness <math>< 100\mu\text{m}</math>.

When assembling on MCPCB or heat sink carrier.



<Figure 20 Edixeon[®] S series heat sink application >

—It is strongly recommended the heat sink should be anodized.

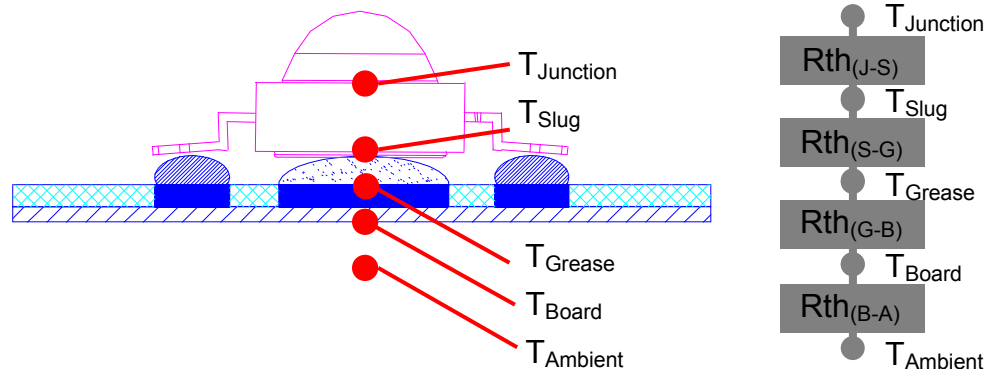


—Please ensure the heat sink is flat enough to prevent the bad heat conductivity.



<Figure 21 Edixeon[®] S series assemble with heatsink>

Thermal Resistance Application



$$R_{th(J-A)} = R_{th(J-S)} + R_{th(S-G)} + R_{th(G-B)} + R_{th(B-A)}$$

$$T_{\text{Junction}} = T_{\text{Ambient}} + R_{th(J-A)} \times P_{\text{Dissipation}}$$

$$(T_J = T_A + R_{th(J-A)} \times P_{\text{Dissipation}})$$

<Figure 22 Rth and T_J for Edixeon® S series >

Suggested Adhesive for Selection(such as thermal grease)

- Ease of use
- Non-solvent, One-part
- Fast tack free
 - 3 minutes at 25°C
- No corrosion
 - Alcohol type of room temperature vulcanization (RTV)
- Low volatility
 - Low weight loss of silicone volatiles
- Adhesion
 - Excellent adhesion to most materials without use of a primer
- Dielectric properties
 - Cured rubber exhibits good dielectric properties
- Excellent thermal stability and cold resistance
 - Cured rubber provides wide service temperature range

<Table 11 Specifications for adhesive properties >

Specification	Suggested Properties
Take-free time	3~10 minutes
Specific gravity	< 3 g/cm ²
Thermal conductivity	> 2.5 W/mK
Rth in using	< 1.8 °C/W
Volume resistance	> 1x10 ¹⁴
Lap shear adhesion strength	> 200 N/ cm ²
Tensile strength	> 4 Mpa

Thermal Resistance Calculation

The thermal resistance between two points is defined as the ratio of the difference in temperature to the power dissipated. For calculations in the following units used are °C/W. In the case of LEDs, the resistance of two important thermal paths affects the junction temperature:

From the LED junction to the thermal contact at the bottom of the package, this thermal resistance is governed by the package design. It is referred to as the thermal resistance between junction and slug ($R_{th (J-S)}$)

From the thermal contact to ambient conditions, this thermal resistance is defined by the path between the slug ,board ,and ambient. It is referred to as the thermal resistance between slug and board ($R_{th (S-B)}$) and between board and ambient ($R_{th (B-A)}$).

The overall thermal resistance between the LED junction and ambient ($R_{th (J-A)}$) can be modeled as the sum of the series resistances $R_{th (J-S)}$, $R_{th (S-B)}$, and $R_{th (B-A)}$.

The following will show how to calculate R_{th} for each part of LED module.

1. $R_{th(J-S)}$

Assume Edixeon® $R_{th(J-S)}=13\text{ °C/W}$

2. $R_{th(S-G)}$

If the thickness of thermal grease is 100um and area is $(6.4/2)^2\pi\text{ mm}^2$.

Thermal conductivity of thermal grease is 2.6 W/mK.

The Formula of R_{th} is
$$\frac{\text{Thickness(um)}}{\text{Thermal Conductivity (W/mK) x Area(mm}^2\text{)}}$$

$$\text{Therefore } R_{th(S-G)} = \frac{100}{2.6 \times (6.4/2)^2 \pi} = 1.2 \text{ } ^\circ\text{C/W}$$

3. $R_{th(G-B)}$

The R_{th} of standard MCPCB is 1.5 $^\circ\text{C/W}$

4. $R_{th(B-A)}$

The R_{th} between board and air is mainly dependent on the total surface area.

$$\text{Therefore } R_{th(B-A)} \doteq \frac{500}{\text{Area}(\text{cm}^2)}$$

$$\text{If Area is } 30\text{cm}^2 \quad R_{th}=16.7 \quad R_{th(J-A)} = 13+1.2+1.5+16.7 = 32.4 \text{ } ^\circ\text{C/W}$$

$$\text{If Area is } 60\text{cm}^2 \quad R_{th}=8.3 \quad R_{th(J-A)} = 13+1.2+1.5+8.3 = 24 \text{ } ^\circ\text{C/W}$$

$$\text{If Area is } 90\text{cm}^2 \quad R_{th}=5.5 \quad R_{th(J-A)} = 13+1.2+1.5+5.5 = 21.2 \text{ } ^\circ\text{C/W}$$

Junction Temperature Calculation

The total power dissipated by the LED is the product of the forward voltage (V_F) and the forward current (I_F) of the LED.

The temperature of the LED junction is the sum of the ambient temperature and the product of the thermal resistance from junction to ambient and the power dissipated.

$$T_{\text{Junction}} = T_{\text{Air}} + R_{th(J-A)} \times P_{\text{Dissipation}}$$

If one white Edixeon[®] in room temperature (25°C) operated 350mA and $V_F=3.3\text{V}$, the $P_{\text{Dissipation}}=0.35 \times 3.3=1.155\text{W}$

And junction temperature is

$$T_{\text{Junction}} = 25^\circ\text{C} + 18.2 \times 1.155 = 46.021^\circ\text{C} \quad (\text{total surface area} = 90\text{cm}^2)$$

$$T_{\text{Junction}} = 25^\circ\text{C} + 21 \times 1.155 = 49.255^\circ\text{C} \quad (\text{total surface area} = 60\text{cm}^2)$$

$$T_{\text{Junction}} = 25^\circ\text{C} + 29.4 \times 1.155 = 58.957^\circ\text{C} \quad (\text{total surface area} = 30\text{cm}^2)$$

Example : Junction Temperature Calculation

One white LED is used under ambient temperature (T_{Ambient}) of 30°C . This LED is soldered on MCPCB (Area= 10cm^2). Calculate junction temperature.

Assuming a forward voltage of $V_F=3.3\text{V}$ at 350mA and total power dissipated is

$$P_{\text{Dissipation}} = 1 \times 0.35 \times 3.3 = 1.155 \text{ W.}$$

$$\text{LED } R_{th(J-S)} = 13 \text{ } ^\circ\text{C/W.}$$

With good design, $R_{th(S-G)}$ can be minimized to 1 $^\circ\text{C/W}$.

$R_{th(G-B)}$ of a standard MCPCB can be 1.5 $^\circ\text{C/W}$.

The Rth between board and air is mainly dependent on the total surface area.

Therefore it can be calculated in formula $\frac{500}{\text{Area}(\text{cm})^2}$

$$R_{th(B-A)} = \frac{500}{10} = 50 \text{ } ^\circ\text{C/W}.$$

Following the formula $T_{\text{Junction}} = T_{\text{Ambient}} + R_{th(J-A)} \times P_{\text{Dissipation}}$

$$T_{\text{Junction}} = 30 \text{ } ^\circ\text{C} + (13 \text{ } ^\circ\text{C/W} + 1 \text{ } ^\circ\text{C/W} + 1.5 \text{ } ^\circ\text{C/W} + 50 \text{ } ^\circ\text{C/W}) \times 1.155\text{W}$$
$$= 105.6525 \text{ } ^\circ\text{C}$$

That means this LED emitter is operated under good condition ($T_{\text{Junction}} < 125 \text{ } ^\circ\text{C}$).

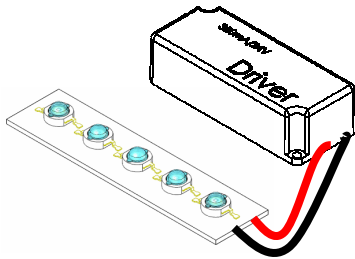
It's strongly recommended to keep the junction temperature under $125 \text{ } ^\circ\text{C}$

Or keep the temperature of emitter lead not exceed $55 \text{ } ^\circ\text{C}$

Product Electrical Application Information

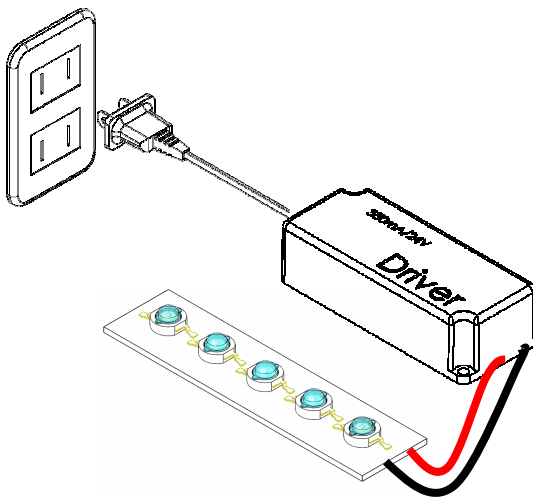
Following graphs and descriptions show how to connect LED or LED module and plug to AC outlet.

Step1: Connect the wires of LED Module to the DC output of the driver.



<Figure 23 LED Module connect to the DC output of the driver>

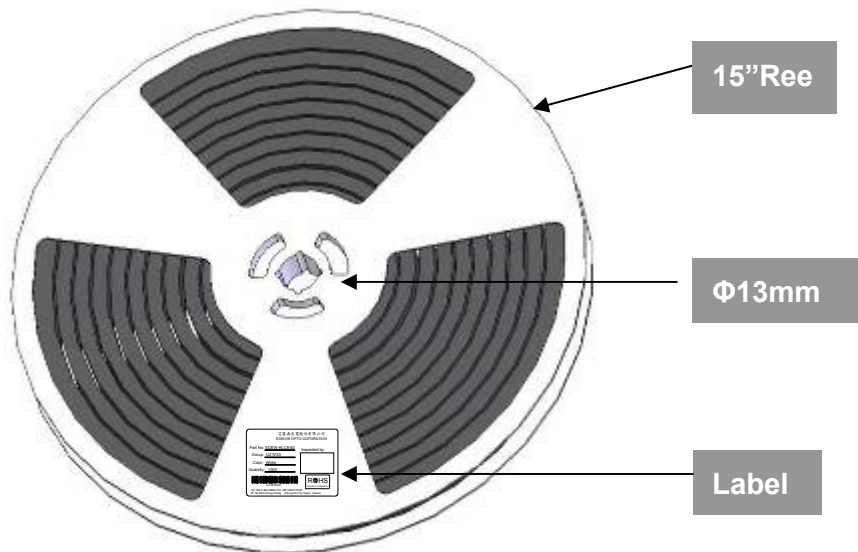
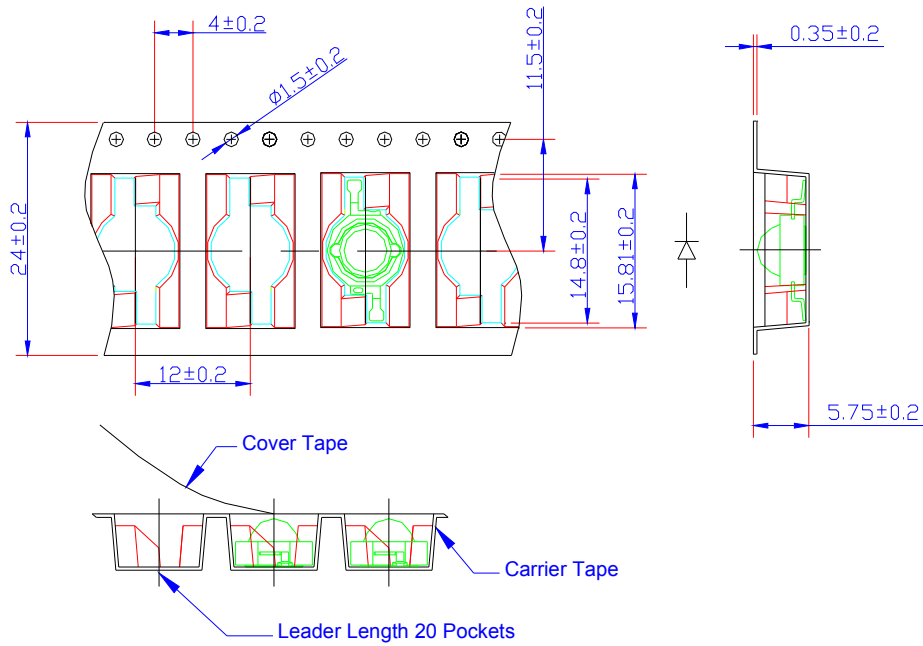
Step2 : Plug the driver to AC outlet.



<Figure 24 Plug the AC output of the driver to AC outlet>

Caution: Never plug the driver to AC outlet before the LED Module is properly connected as this may generate transient voltage damage the LEDs permanently with a short or open circuit.

Product Packaging Information



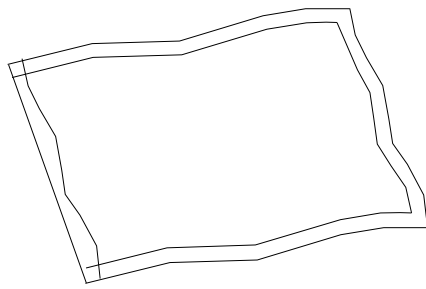
< Figure 25 Taping reel dimensions >

The Label

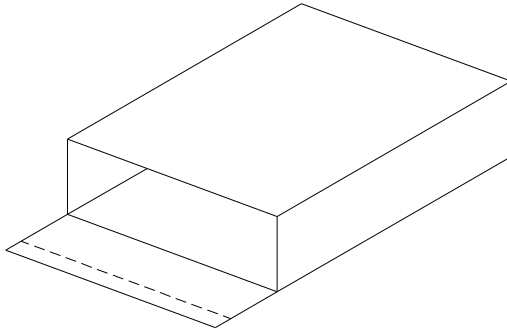
艾笛森光電股份有限公司 EDISON OPTO CORPORATION	
Part No : XX	Inspected By:
Group : XX	
Color : XX	
LOT NO.:	
Quantity :	
A3210002/4	
TEL:886-2-82276996 FAX:886-2-82276997 4F, No.800, Chung-Cheng Rd., Chung-Ho City, Taipei, Taiwan.	
RoHS Directive Compliance	

< Figure 26 Label on taping reel >

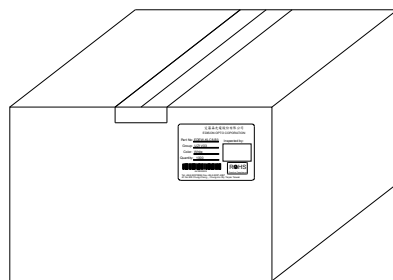
Packaging Steps



1 reel in a bag.



2 bags in an inner box.



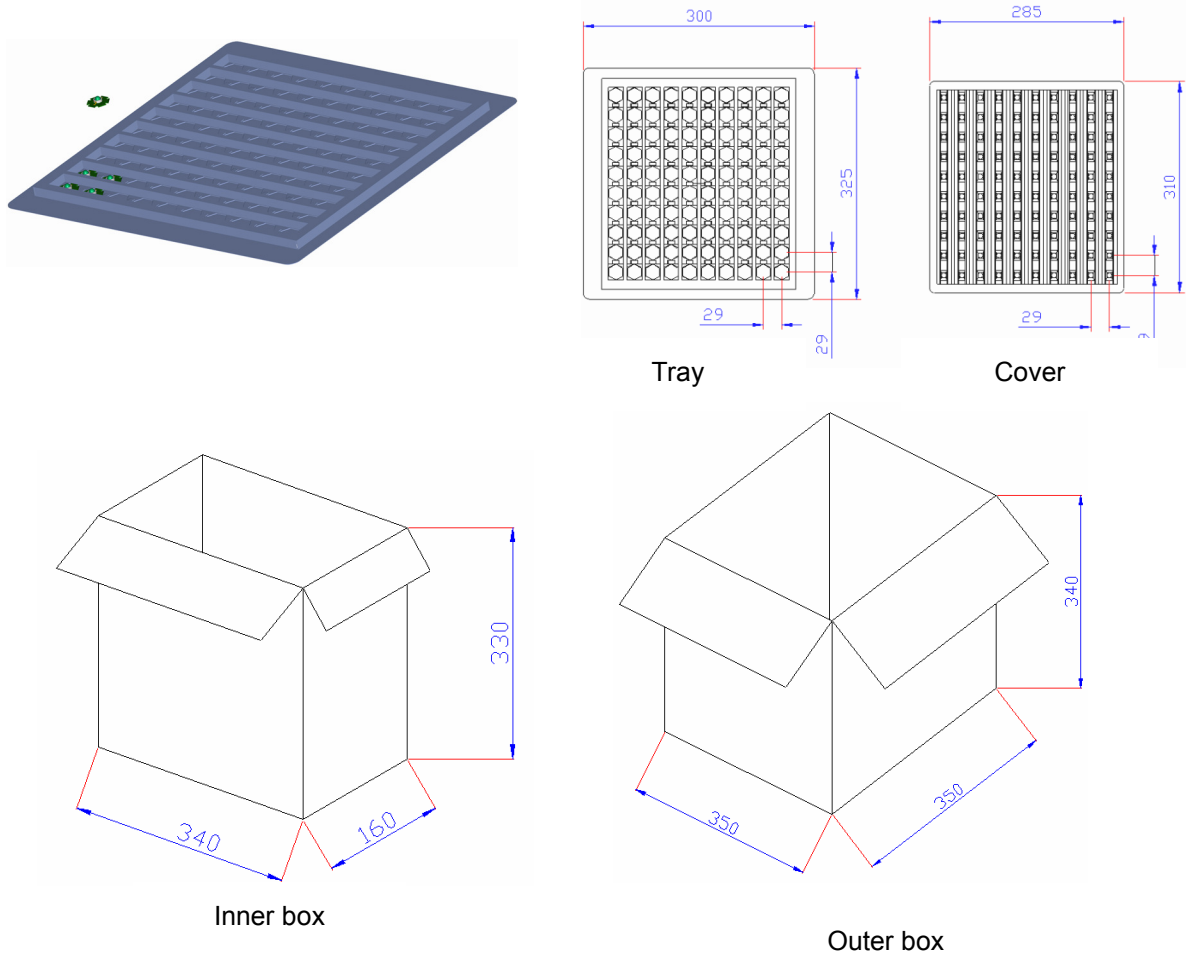
2 inner boxes in an outer box.

< Figure 27 Packaging steps >

Notes:

1. All dimensions are in mm.
2. There are 1000pcs emitters in a full reel.
3. There is one reel in a bag.
4. There are 2 bags in an inner box.
5. There are 2 inner boxes in an outer box.
6. A bag contains one humidity indicator card and drying agent.

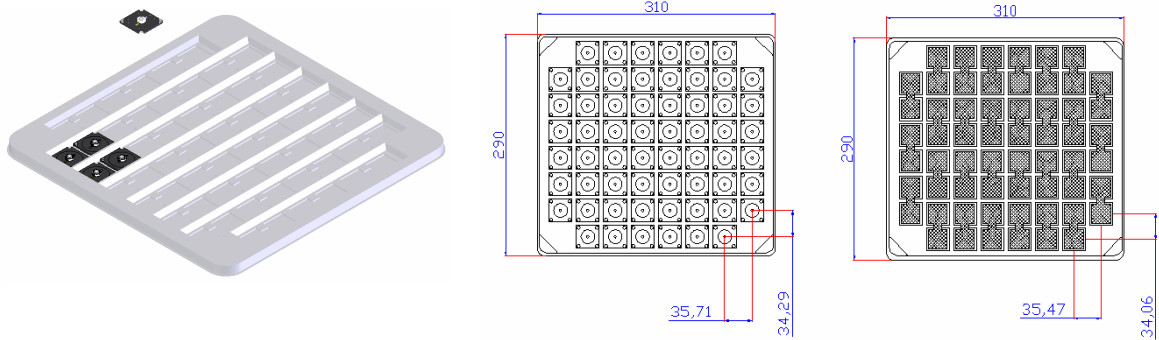
Star Product Packaging Information



<Figure 28 Edixon® star package and dimensions >

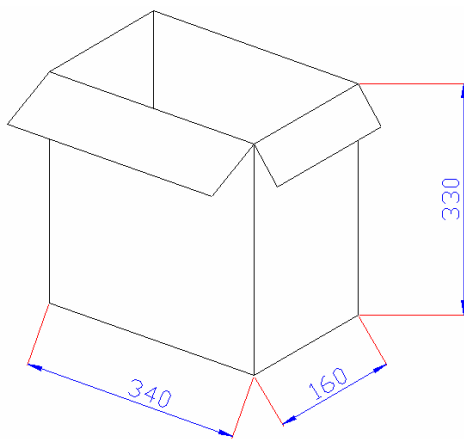
Notes:

1. All Dimensions are in mm.
2. There are 100 pcs stars in a tray.(Tray+Cover)
3. There are 10 trays in an inner box.
4. There are 2 inner boxes in an outer box.

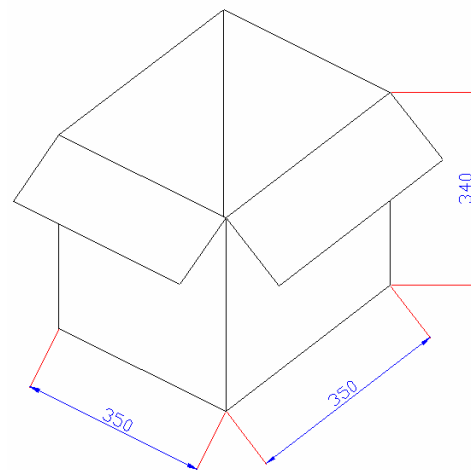


Tray

Cover



Inner box



Outer box

<Figure 29 Edixeon® star package and dimensions >

Notes:

1. All Dimensions are in mm.
2. There are 60 pcs stars in a tray.(Tray+Cover)
3. There are 10 trays in an inner box.
4. There are 2 inner boxes in an outer box.